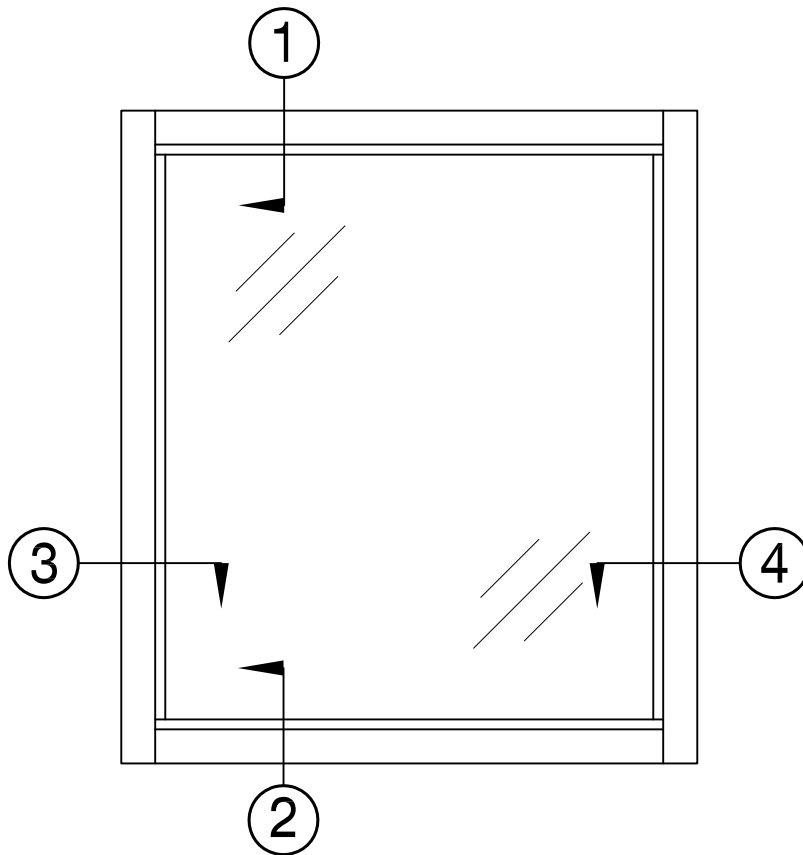


SEAL CRAFT

Architectural Window Systems

Model 8250 FW-HC60

Exterior Elevation



Fixed Window

Structural Test Pressure up to 90 psf

Water Infiltration Tested to 9.0 lbf/ft²

Air Infiltration Tested to be less than .01 cfm/ft.²

Withstands wind velocity up to 153.1 mph at design pressure

Thermally Improved Frame

Maximum Size up to W-60" x H-71"

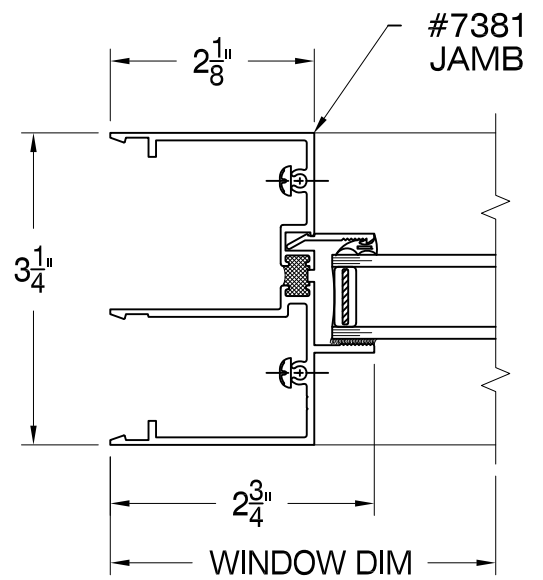
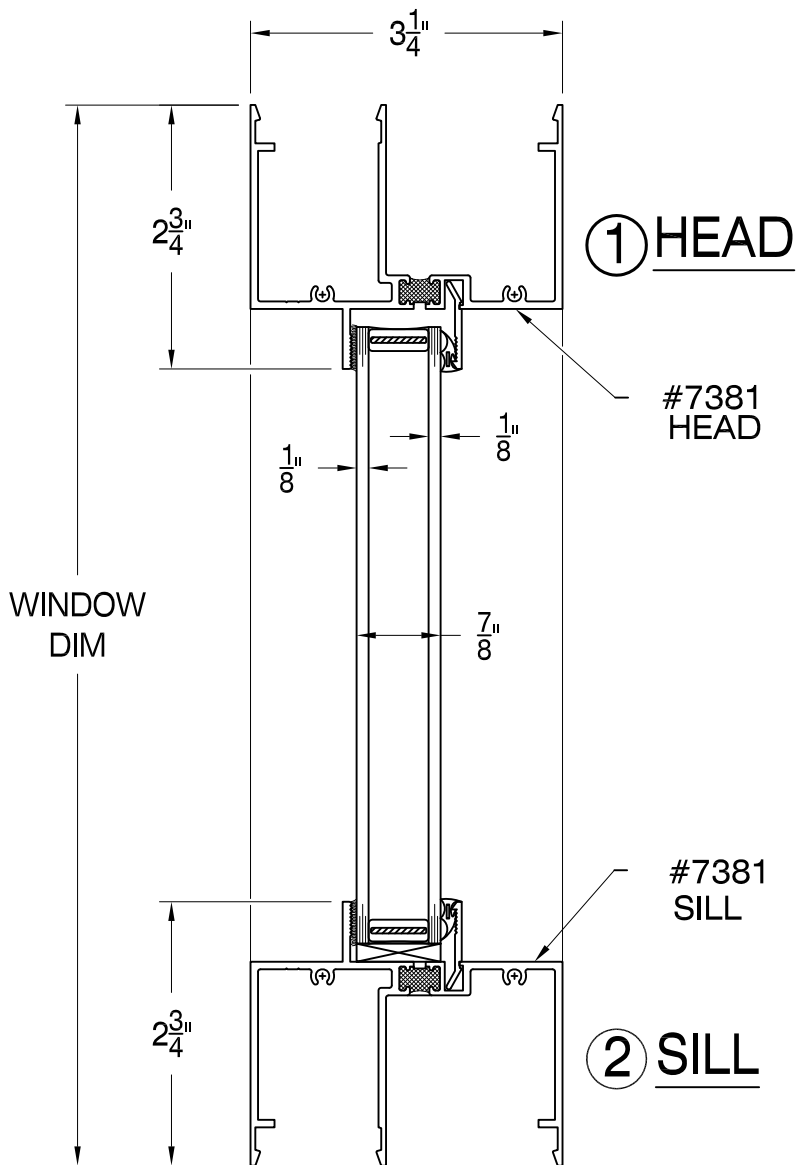
Minimum Size is W-18" x H-27"

SEAL CRAFT

Architectural Window Systems

Model 8250 FW-HC60

Vertical & Jamb Section

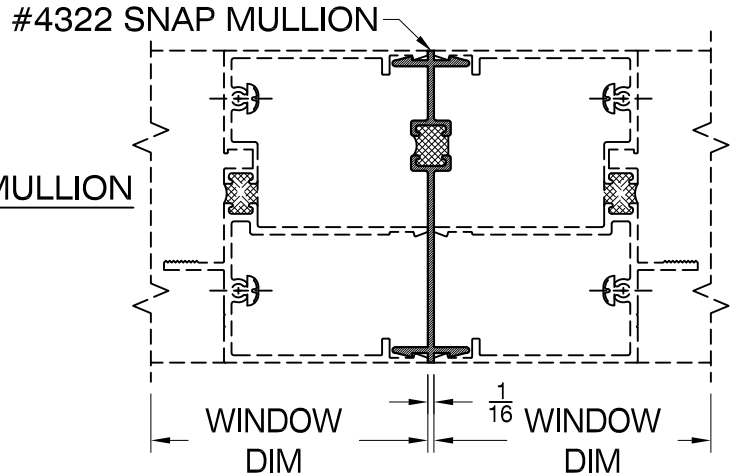
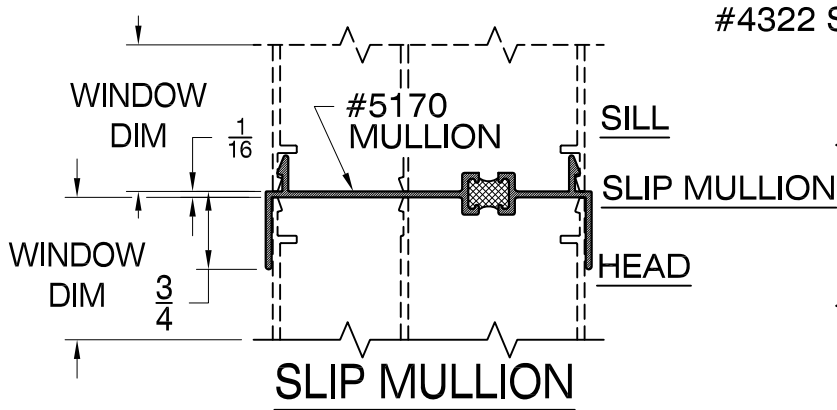


③ LEFT JAMB AS SHOWN
RIGHT JAMB OPP. HAND ④

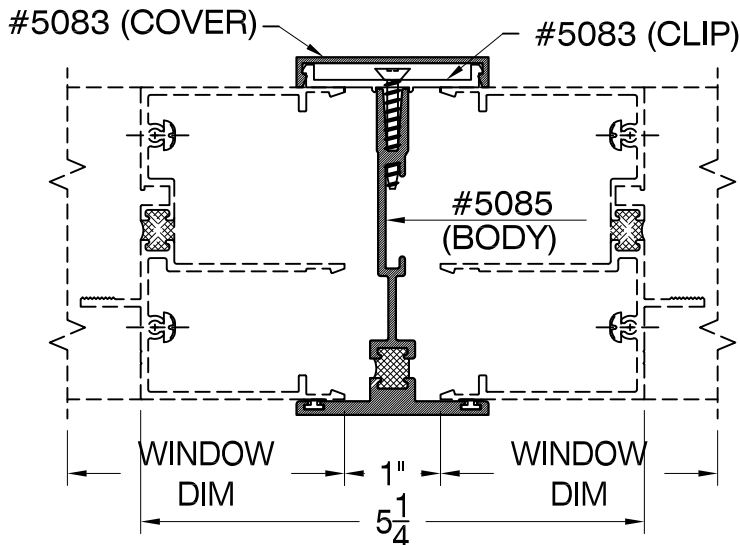
SEAL CRAFT

Architectural Window Systems

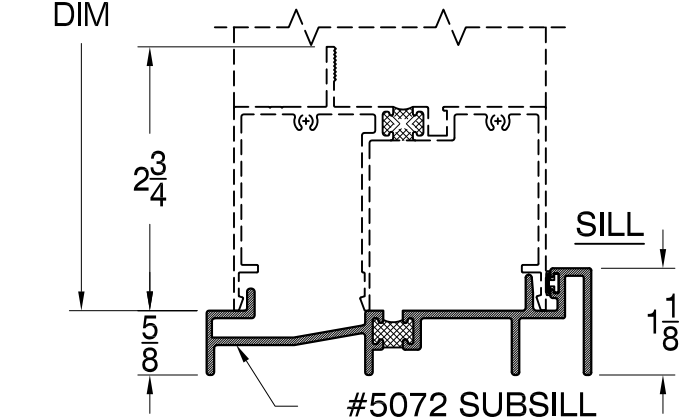
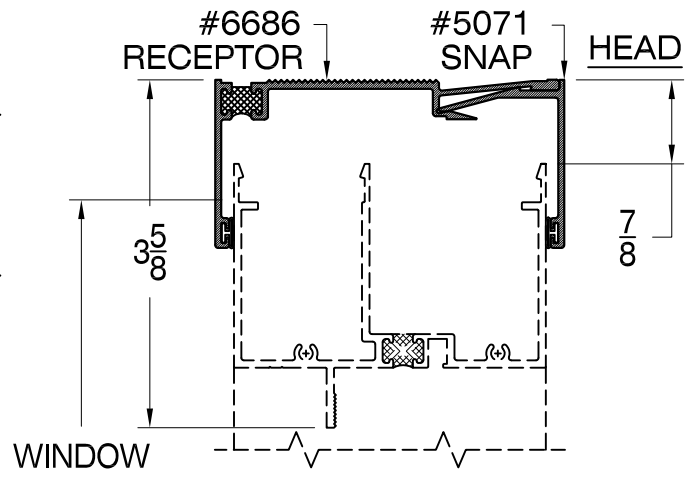
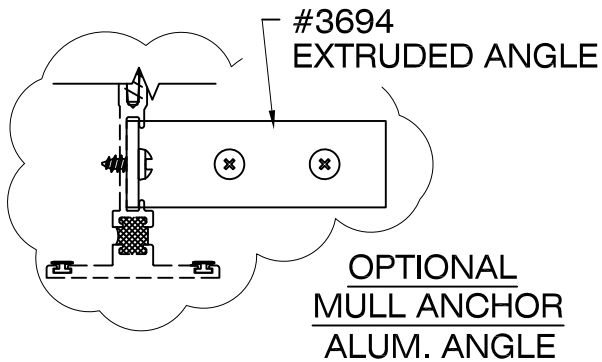
Model 8250 FW-HC60	Accessories
--------------------	-------------



SNAP MULLION



**THREE PIECE
STRUCTURAL MULLION**



**TWO PIECE RECEPTOR
AND SUBSILL**