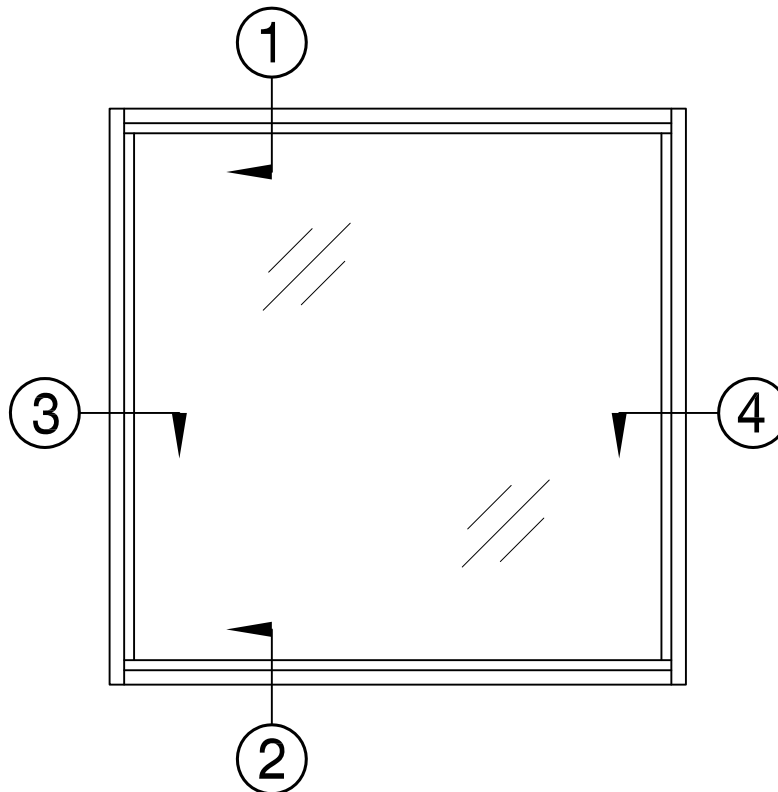


# SEAL CRAFT

Architectural Window Systems

Model 8200 FW-HC60

Exterior Elevation



Fixed Window

Structural Test Pressure up to 90 psf<sub>2</sub>

Water Infiltration Tested to 9.0 lbf/ft<sup>2</sup>

Air Infiltration Tested to be less than .01 cfm/ft.<sup>2</sup>

Withstands wind velocity up to 153.1 mph at design pressure

Thermally Improved Frame

Maximum Size up to W-60" x H-71"

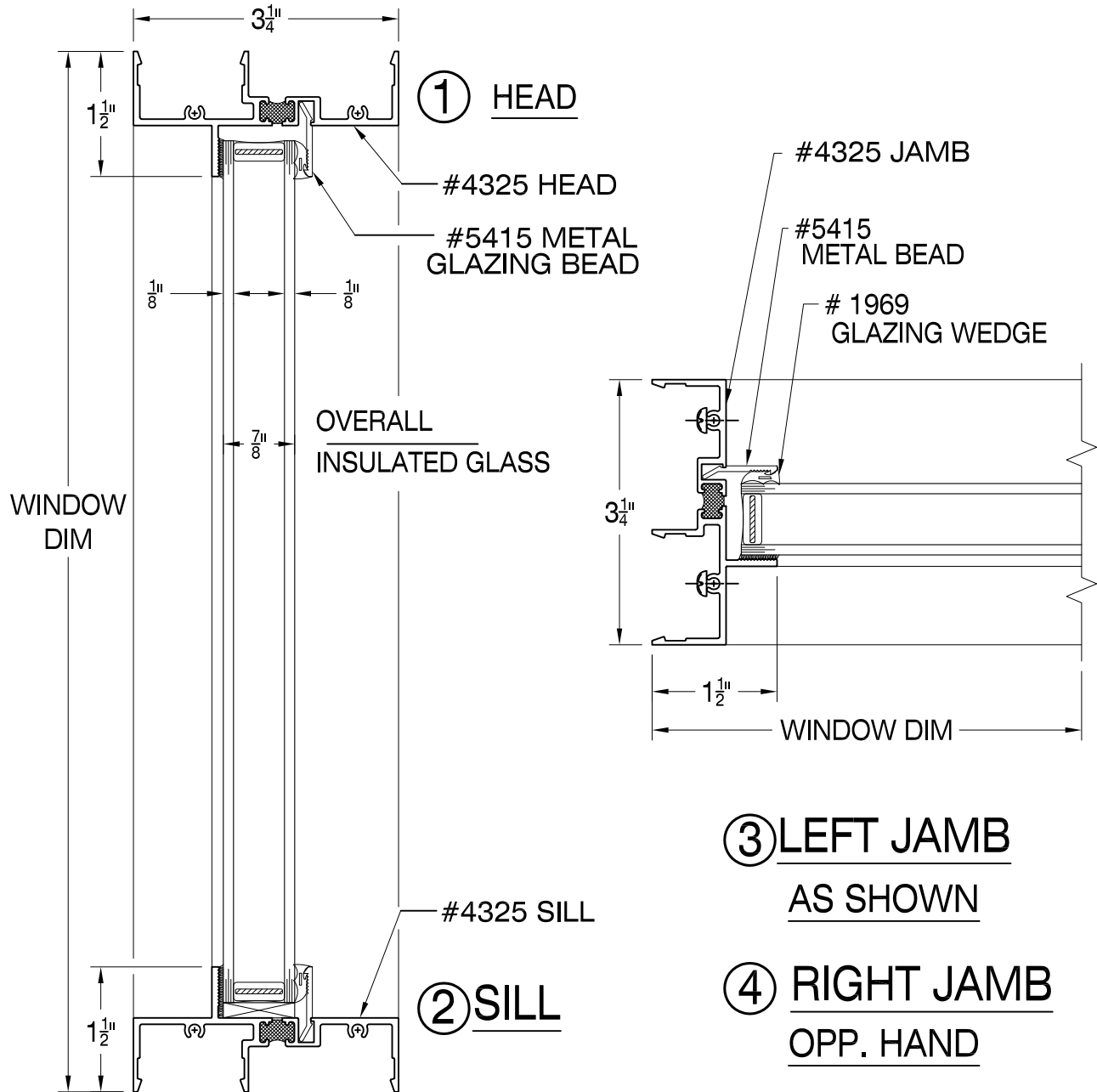
Minimum Size is W-18" x H-27"

# SEAL CRAFT

## Architectural Window Systems

Model 8200 FW-HC60

Sectional View



③ LEFT JAMB  
AS SHOWN

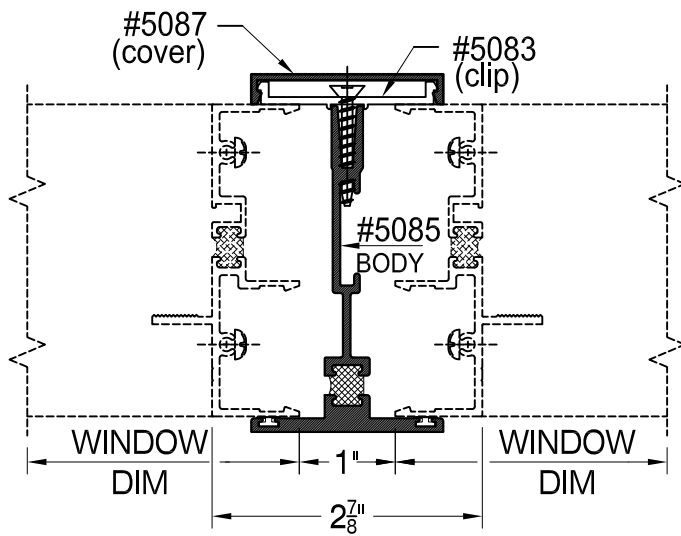
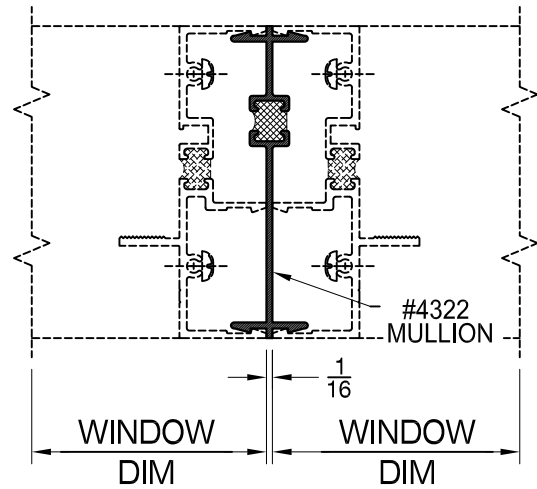
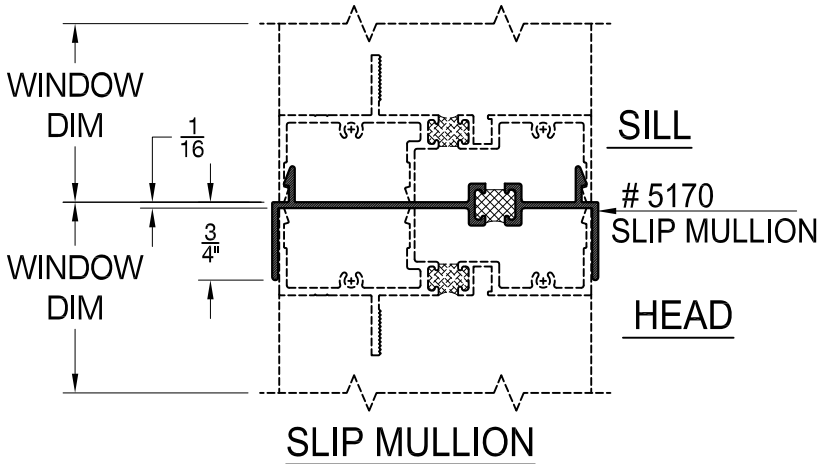
④ RIGHT JAMB  
OPP. HAND

# SEAL CRAFT

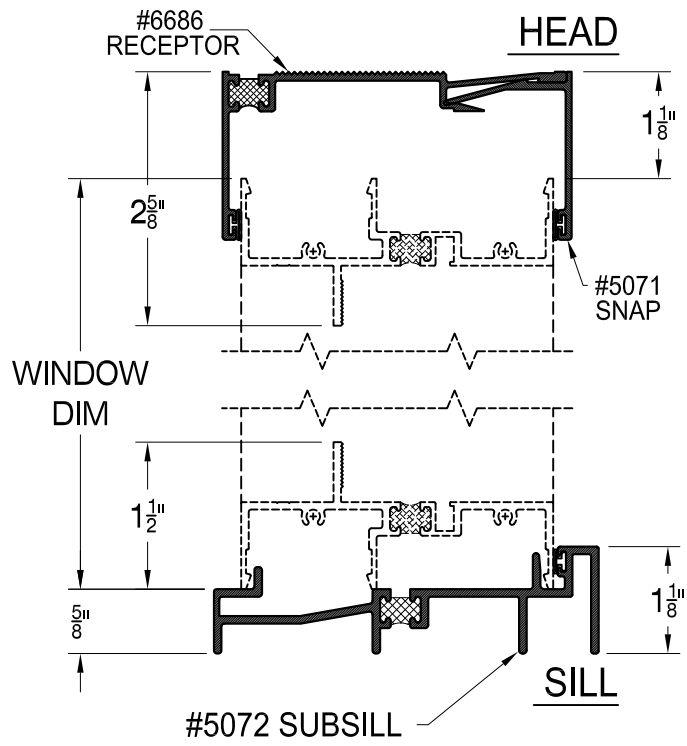
Architectural Window Systems

Model 8200 FW-HC60

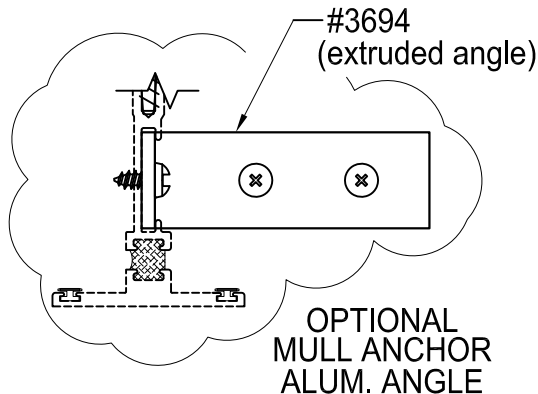
Accessories



**SNAP MULLION**



**THREE PIECE STRUCTURAL MULLION**



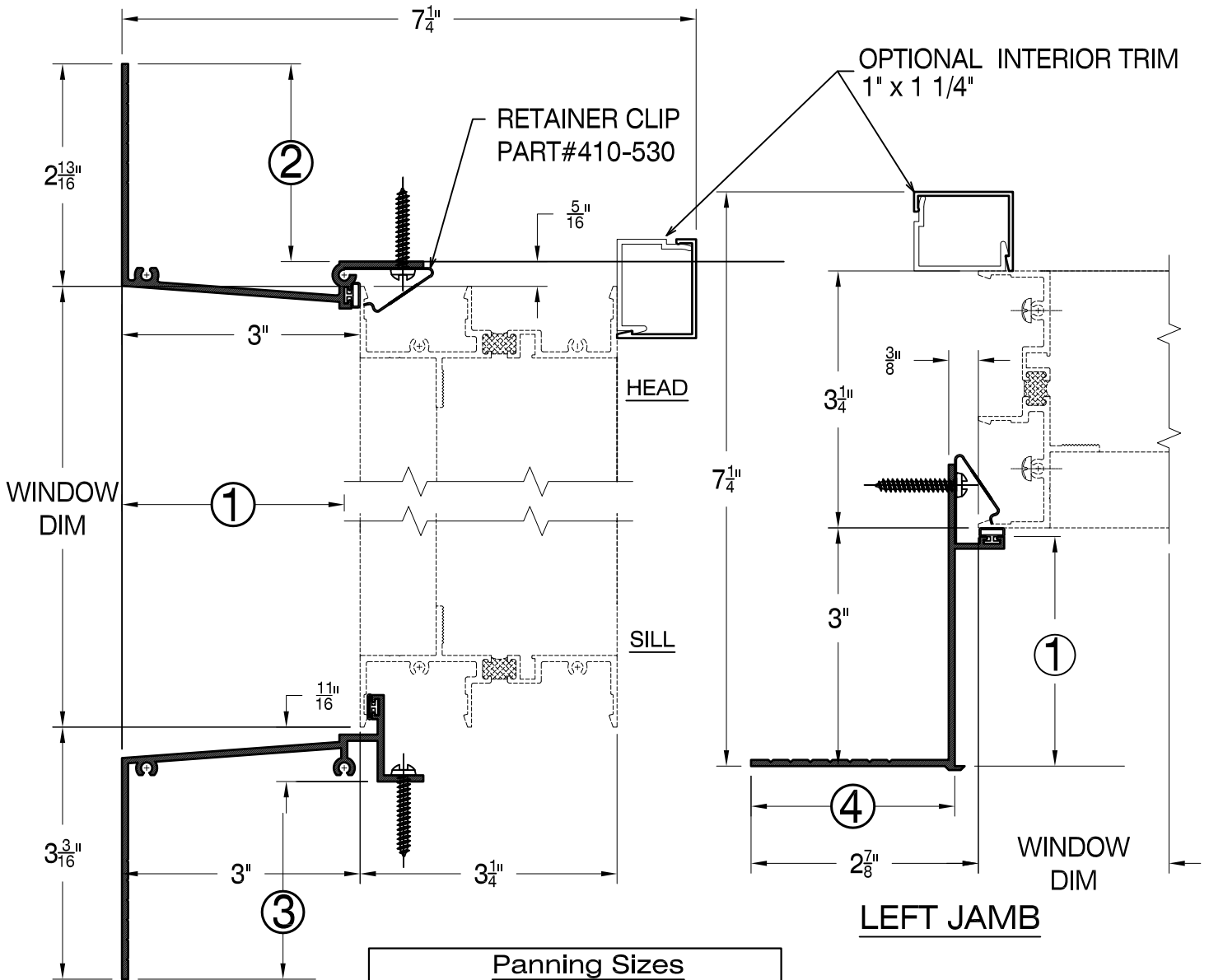
**TWO PIECE RECEPTOR WITH SUBSILL**

# SEAL CRAFT

## Architectural Window Systems

Model 8200 FW-HC60

Receptor Pan "C"  
& Interior Trim



Panning Sizes				
Dimensions				
Type	①	②	③	④
A	1/4"	1 7/8"	2 1/2"	2"
B	1 3/4"	2 1/2"	2 1/2"	2 1/2"
C	2 3/4"	2 1/2"	2 1/2"	2 1/2"
E	3 3/4"	2 1/2"	3 1/2"	2 1/2"
F	3 7/8"	4 3/16"	3 1/2"	4 1/2"

