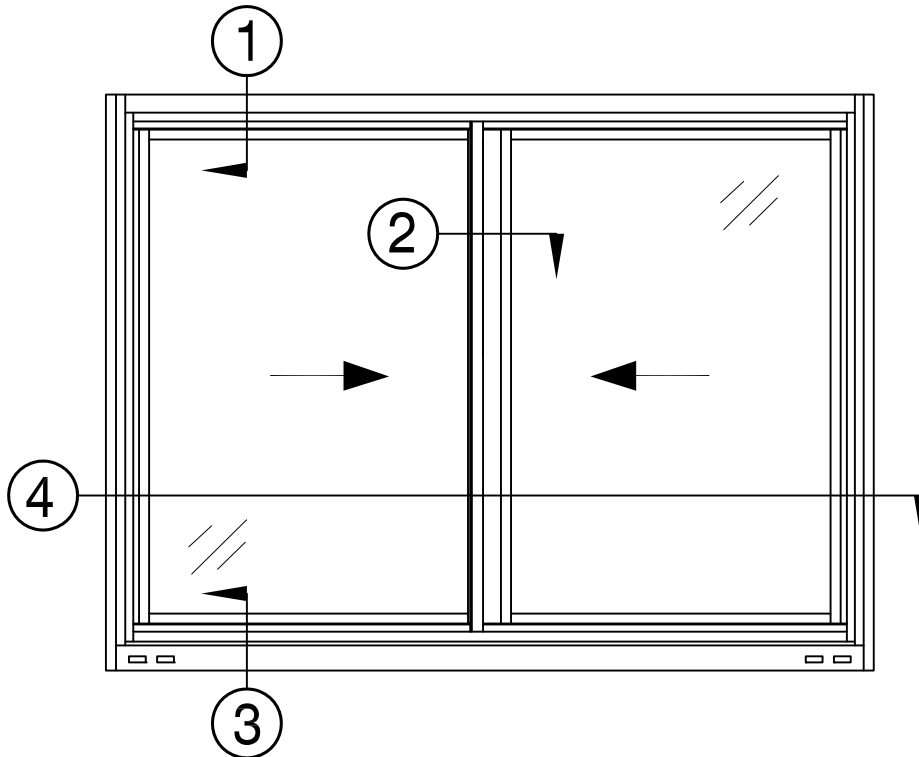


SEAL CRAFT

Architectural Window Systems

Model 8100 HS-C50

Exterior Elevation



Horizontal Sliding Window

Structural Test Pressure up to 75 psf

Water Infiltration Tested to 7.5 lbf/ft²

Air Infiltration Tested to be less than .05 cfm/ft²

Withstands wind velocity up to 139.8 mph at design pressure

Thermally Improved Frame & Sash

Maximum Size up to W-71" x H-60"

Minimum Size is W-27" x H-18"

SCALE: 1" = 1'

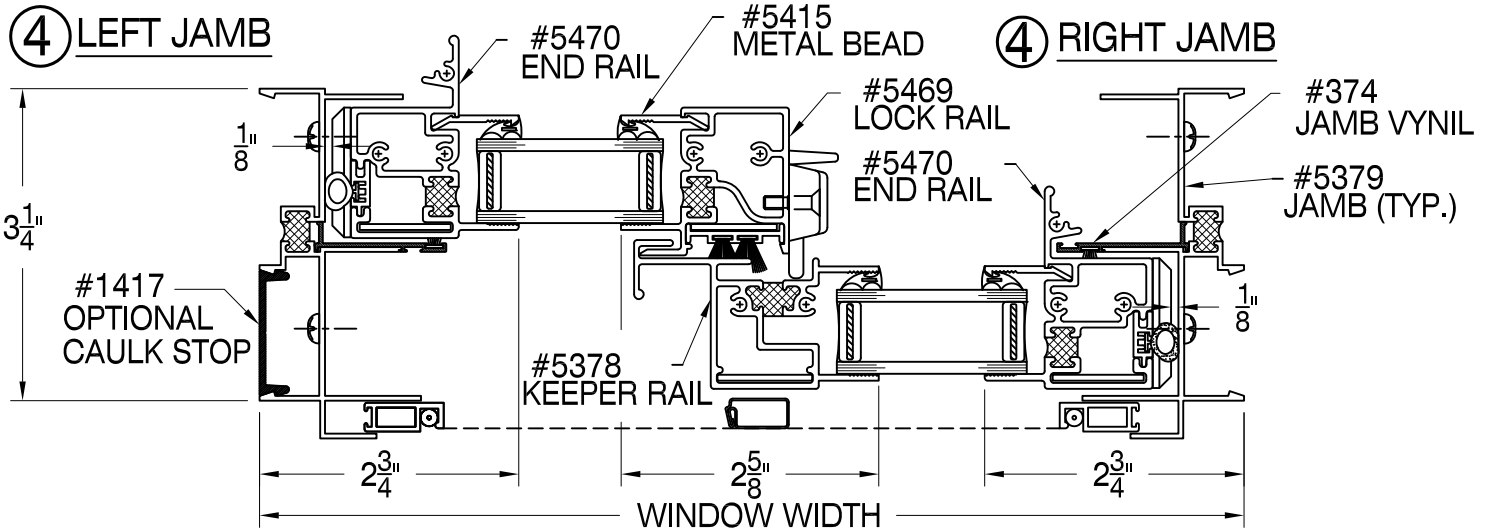
8100 - Page 1

SEAL CRAFT

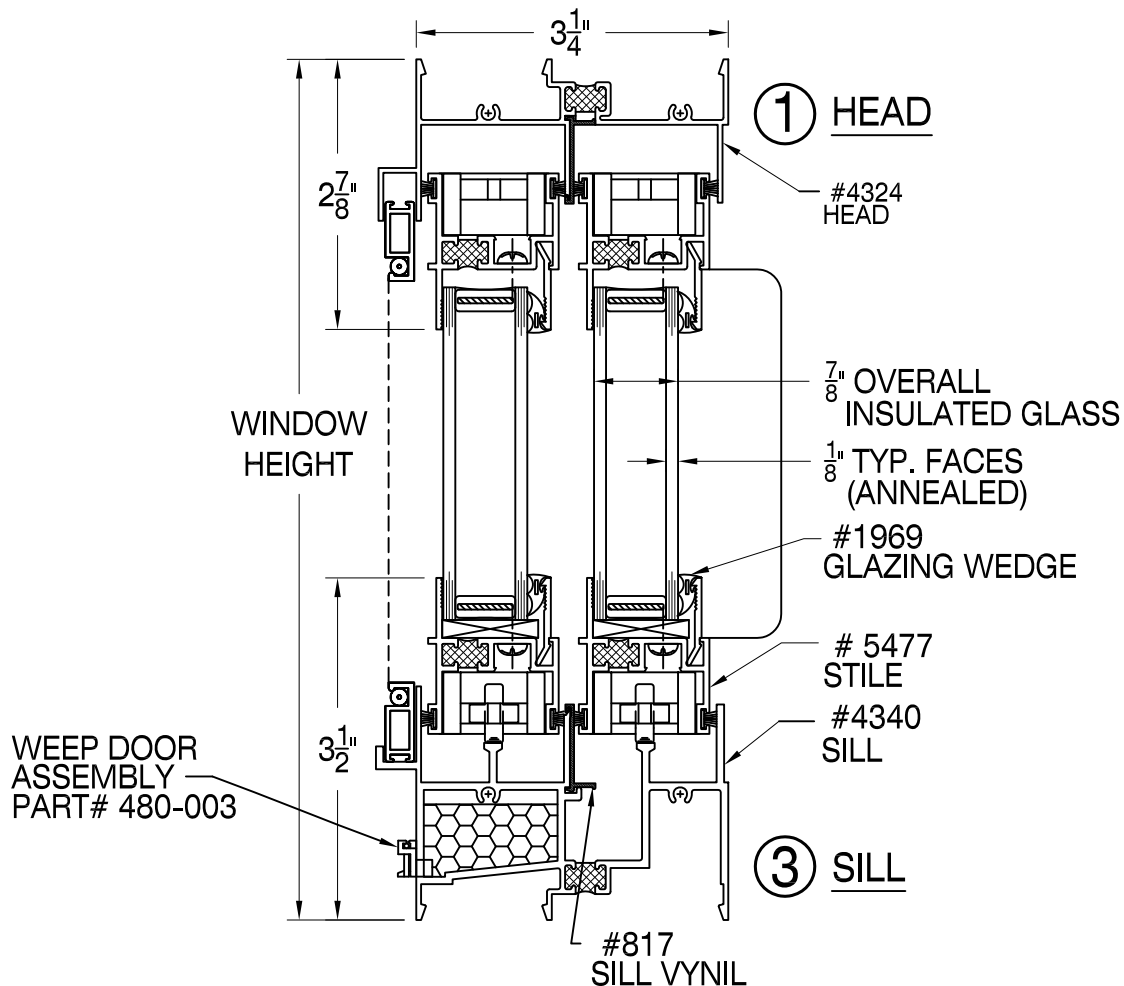
Architectural Window Systems

Model 8100 HS-C50

Vertical Section/Jambs



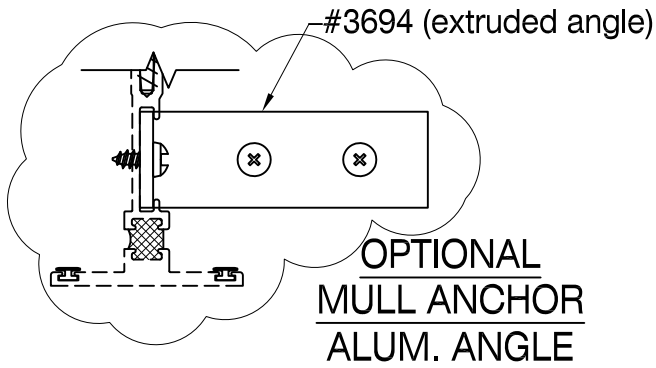
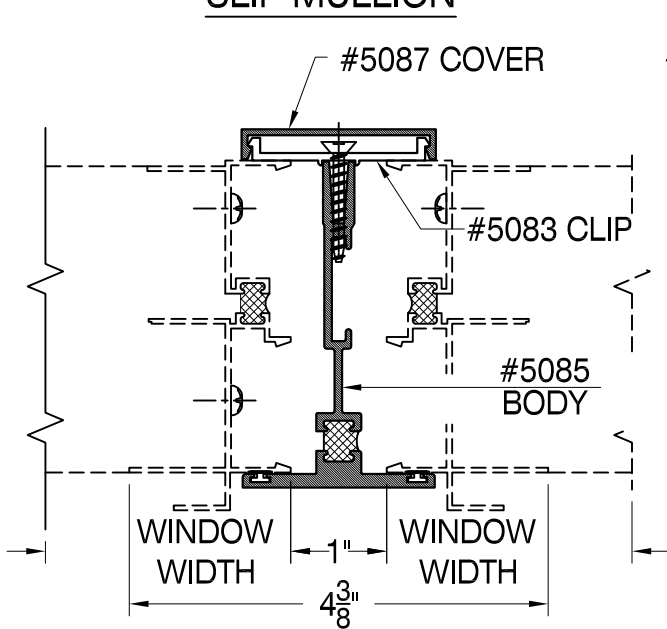
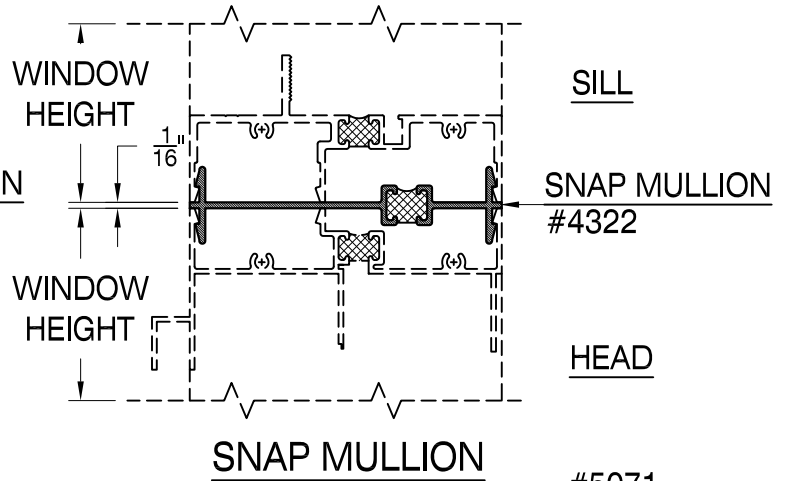
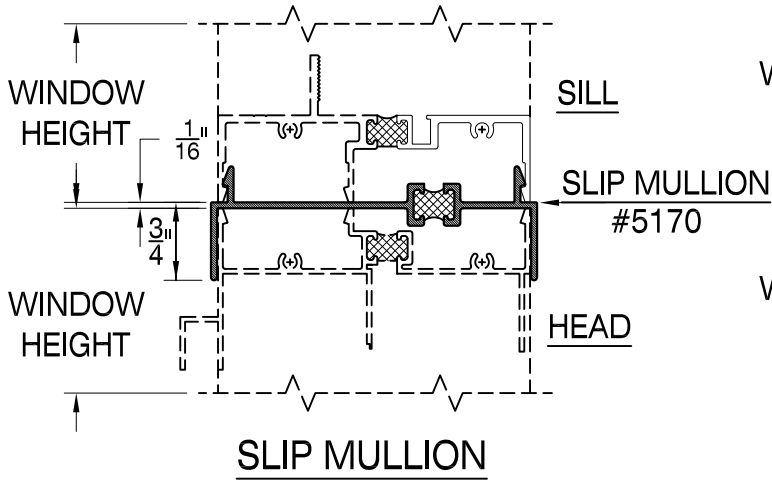
② MTG RAIL



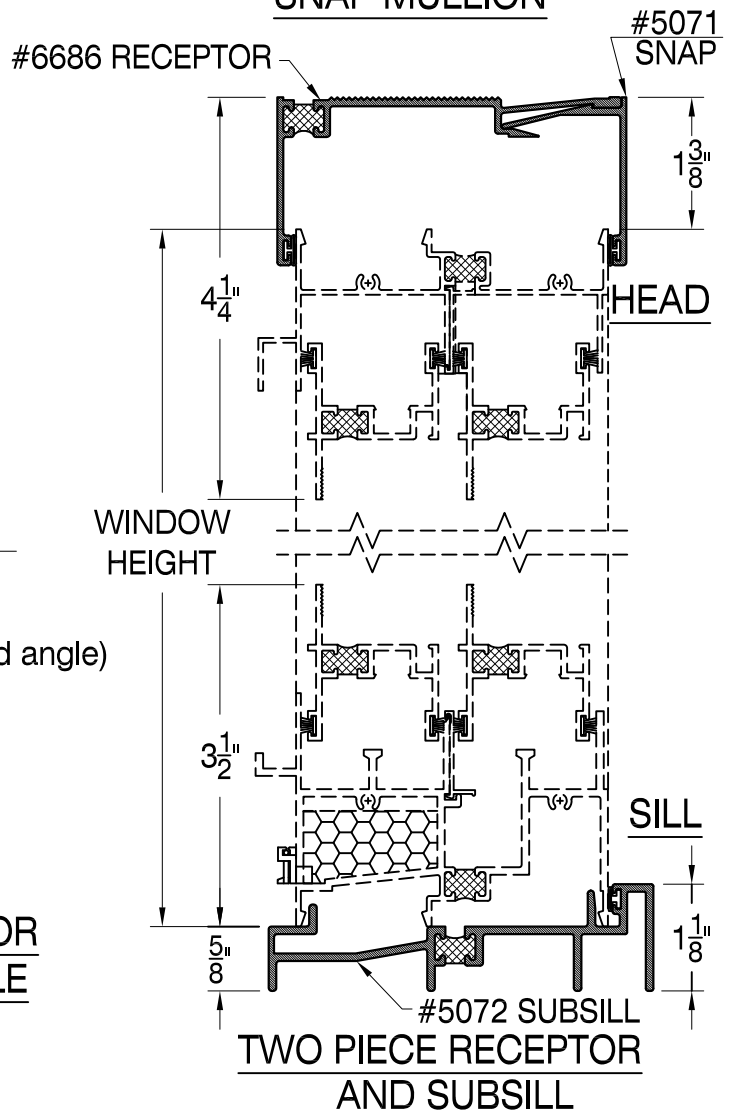
SEAL CRAFT

Architectural Window Systems

Model 8100 HS-C50	Accessories
-------------------	-------------



THREE PIECE STRUCTURAL MULLION

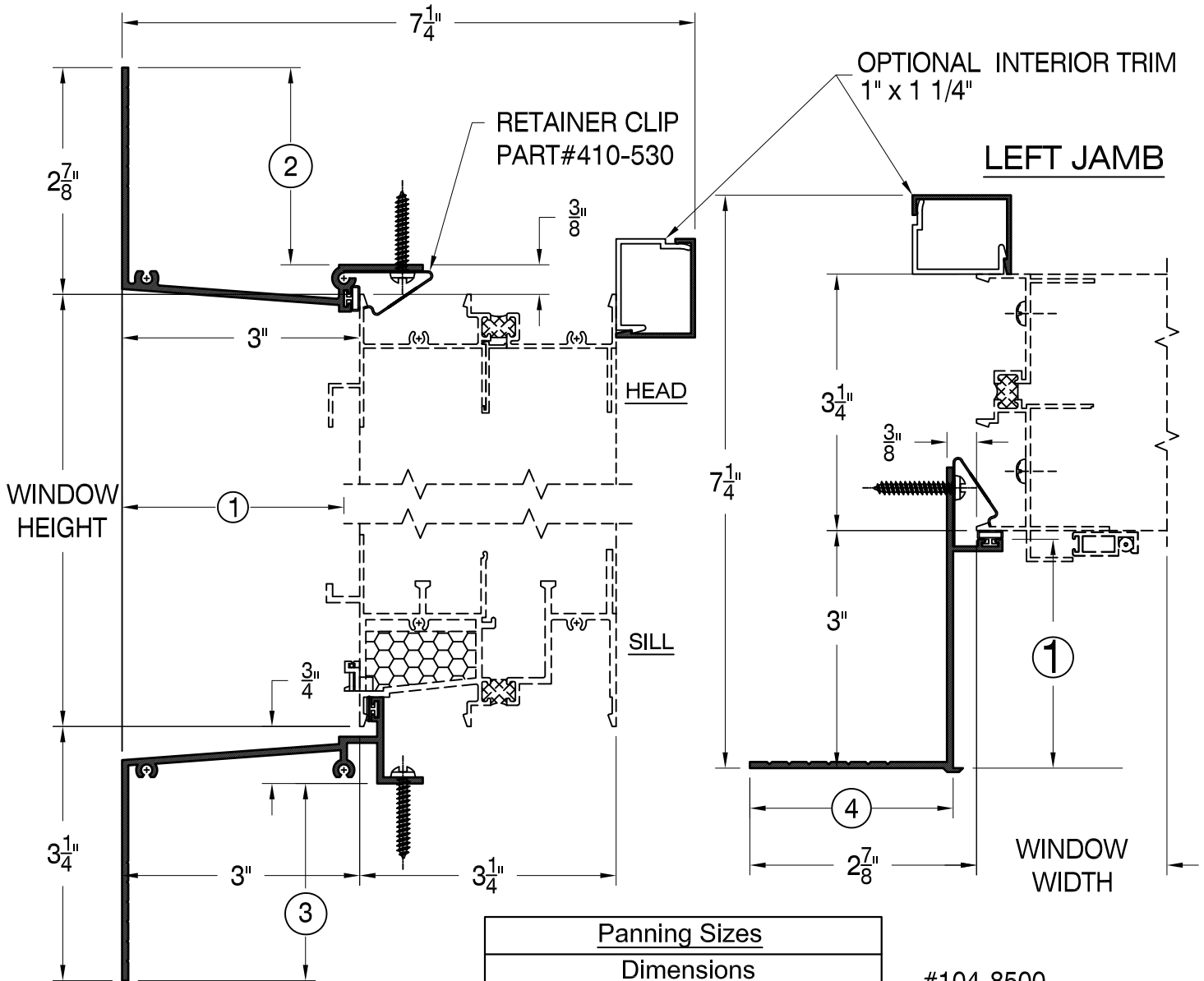


SEAL CRAFT

Architectural Window Systems

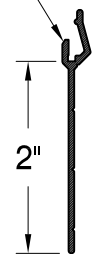
Model 8100 HS-C50

Receptor Pan "C"
& Interior Trim



Panning Sizes				
Dimensions				
Type	①	②	③	④
A	1/4"	1 7/8"	2 1/2"	2"
B	1 3/4"	2 1/2"	2 1/2"	2 1/2"
C	2 3/4"	2 1/2"	2 1/2"	2 1/2"
D	4"	2 1/2"	3 1/2"	3 1/2"
E	3 3/4"	2 1/2"	3 1/2"	2 1/2"
F	3 7/8"	4 3/16"	3 1/2"	4 1/2"

#104-8500



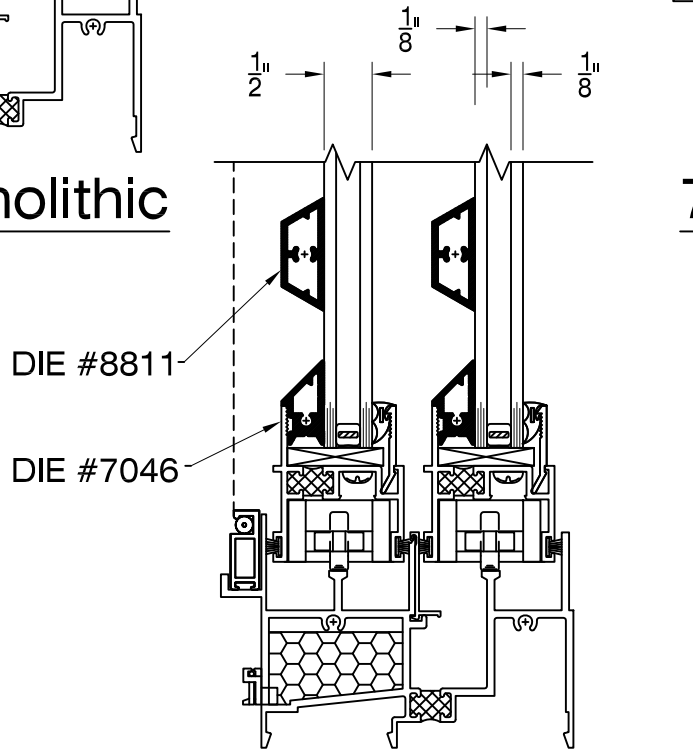
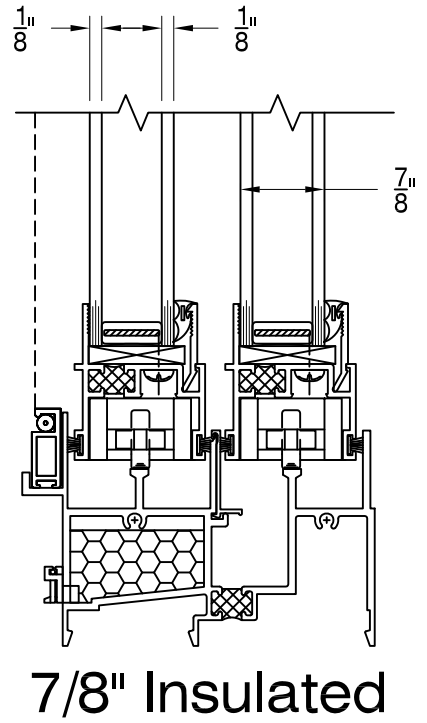
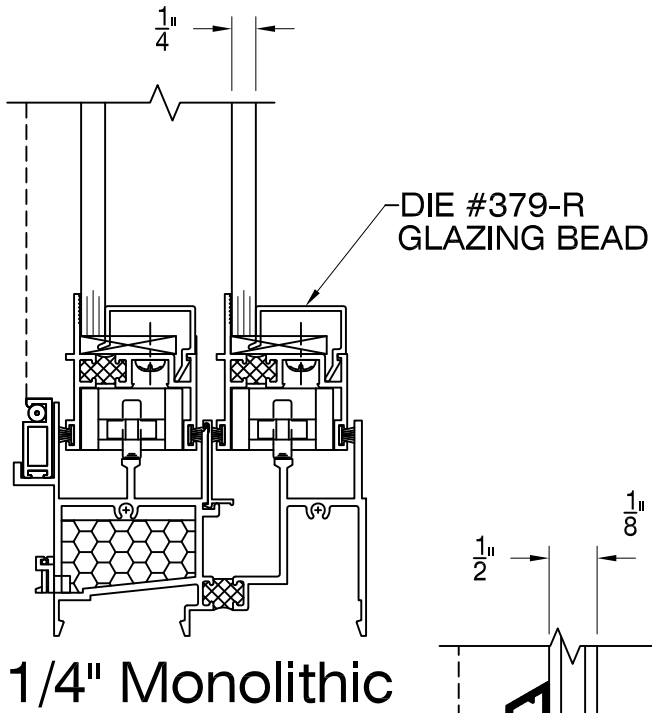
Pan Extender

SEAL CRAFT

Architectural Window Systems

Model 8100 HS-C50

Glazing Options



1/2" Insulated
W/Landmark Overlay
& Perimeter Grid