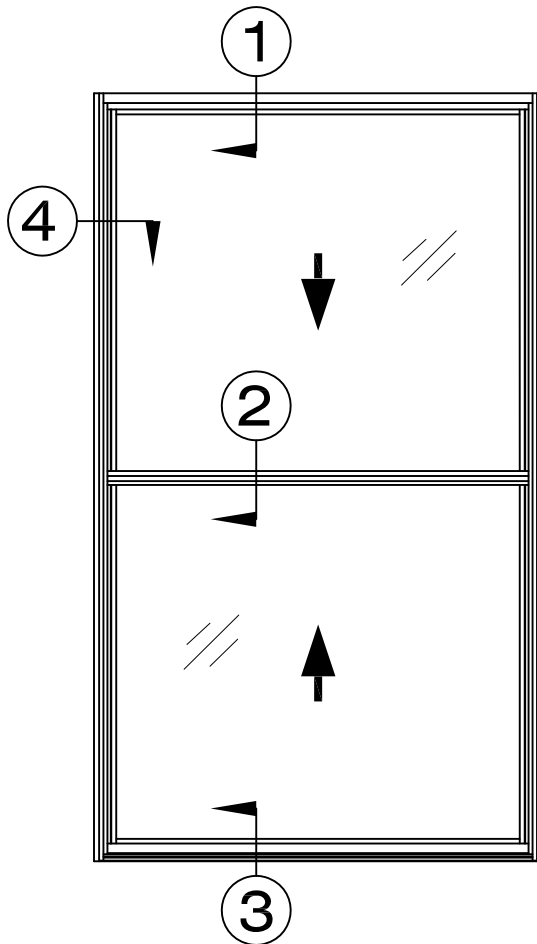


SEAL CRAFT

Architectural Window Systems

Model 8000M H-C50

Exterior Elevation



Equal Sitrine

Double Hung Window

Structural Test Pressure up to 75 psf

Water Infiltration Tested to 7.5 lbf/ft²

Air Infiltration Tested to be less than .06 ft³/(min*ft²)

Withstands wind velocity up to 139.8 mph at design pressure

Thermally Improved Frame & Sash

Maximum Size up to W-56" x H-91"

Minimum Size is W-18" x H-27"

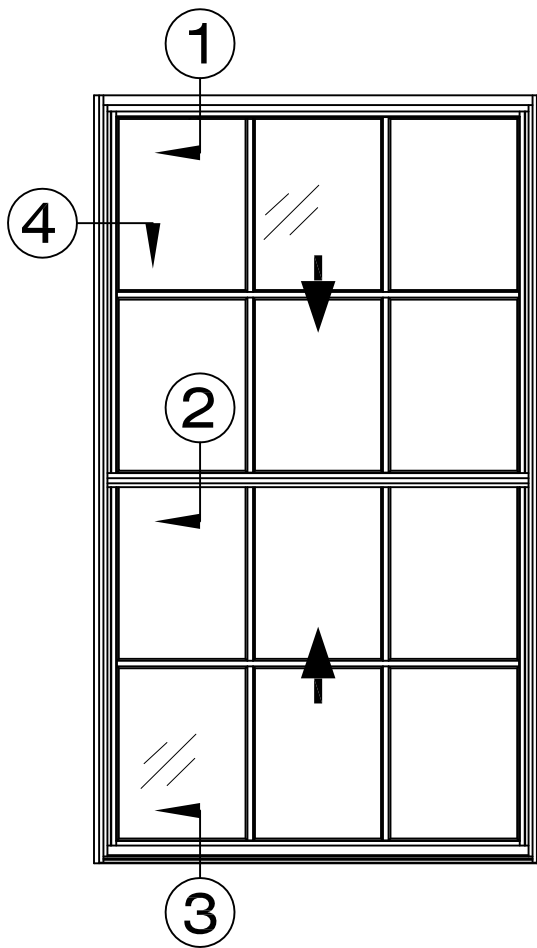
Block & Tackle Balance

SEAL CRAFT

Architectural Window Systems

Model 8000M H-C50

Exterior Elevation



S.H.P.O
&
N.P.S.
APPROVED

Equal Sitrine

Double Hung Window

Structural Test Pressure up to 75 psf

Water Infiltration Tested to 7.5 lbf/ft²

Air Infiltration Tested to be less than .06 ft³/(min*ft²)

Withstands wind velocity up to 139.8 mph at design pressure

Thermally Improved Frame & Sash

Maximum Size up to W-56" x H-91"

Minimum Size is W-18" x H-27"

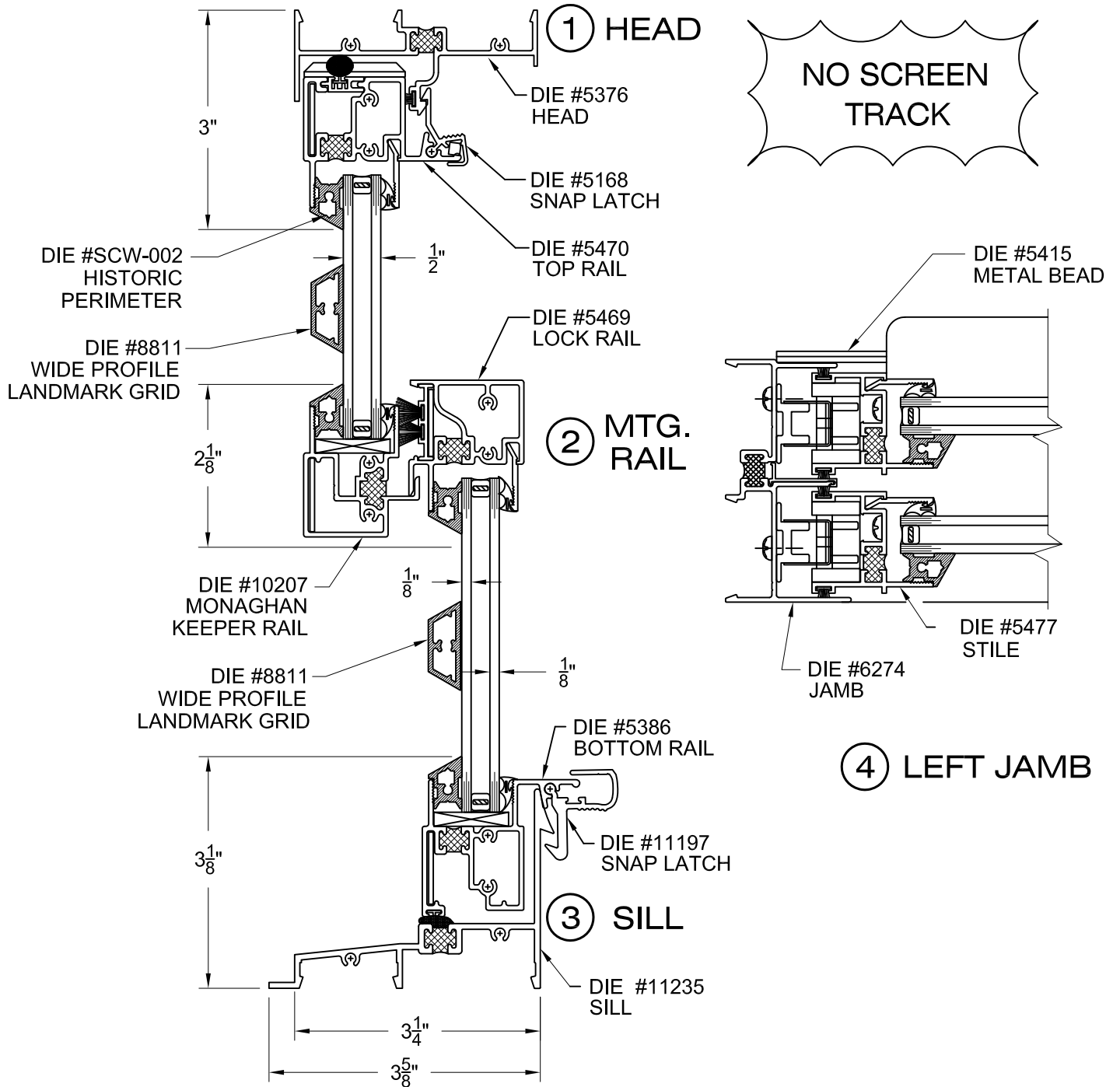
Block & Tackle Balance

SEAL CRAFT

Architectural Window Systems

Model 8000M H-C50

Sectional Views

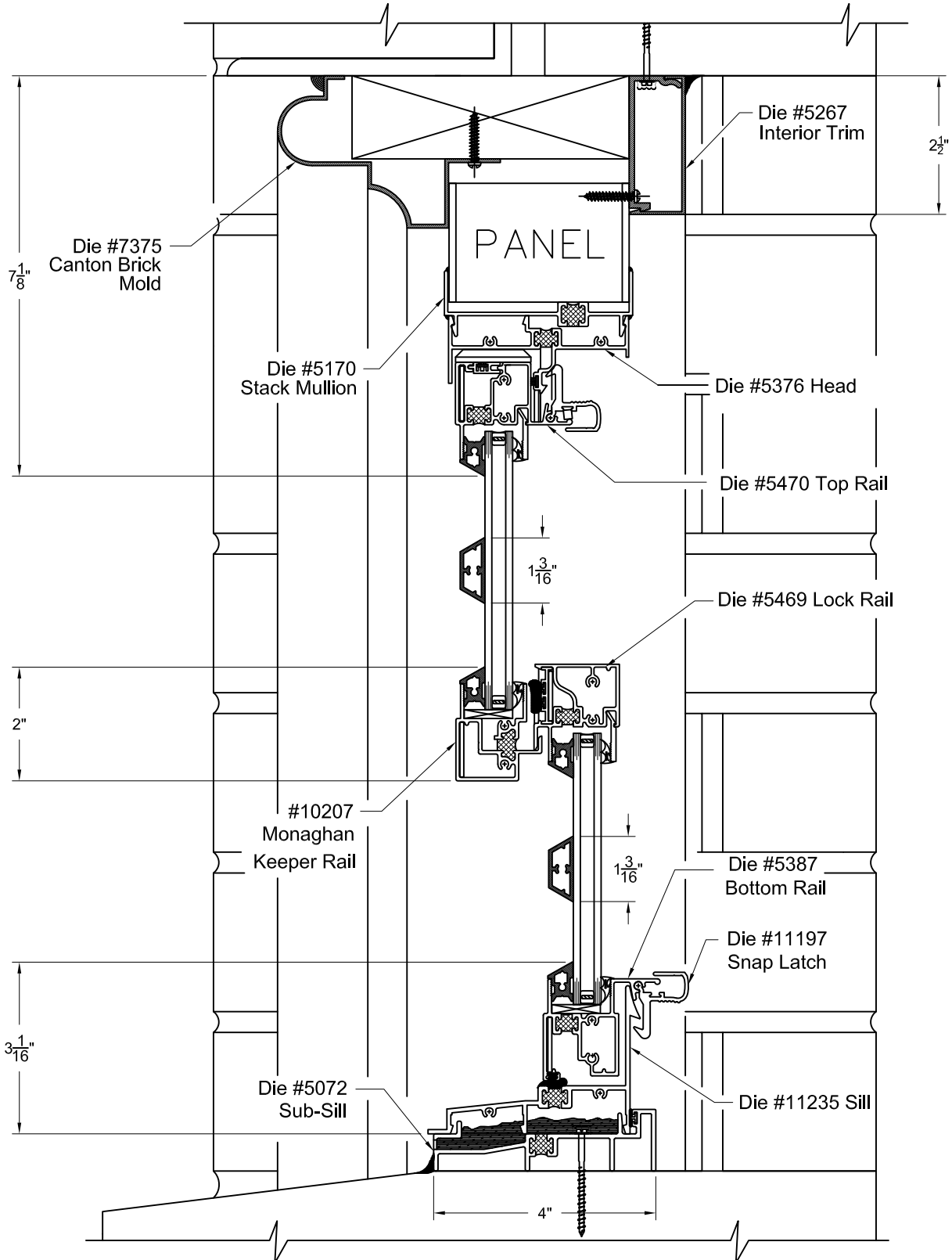


SEAL CRAFT

Architectural Window Systems

Model 8000M H-C50

Vertical Section

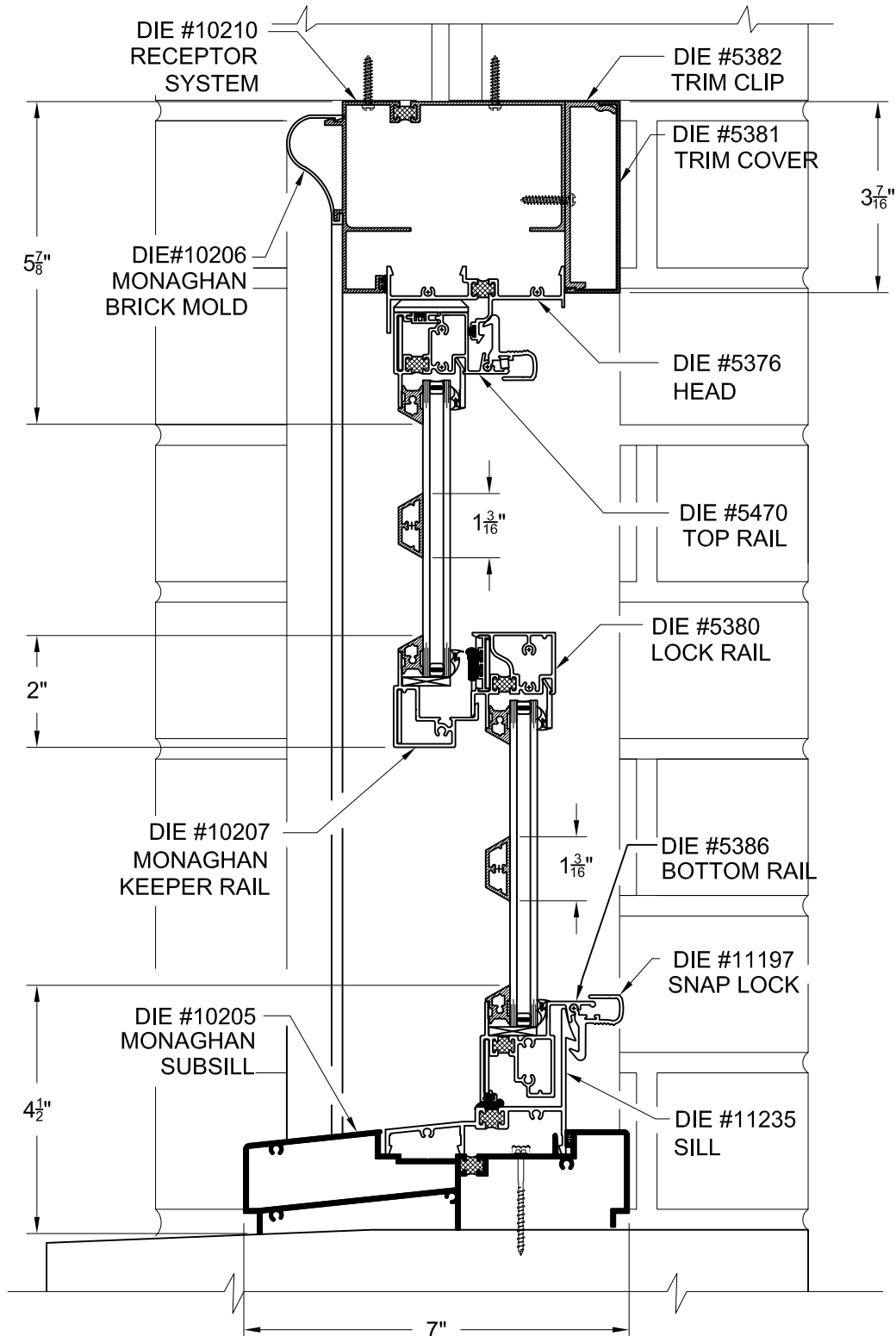


SEAL CRAFT

Architectural Window Systems

Model 8000M H-C50

Vertical Section

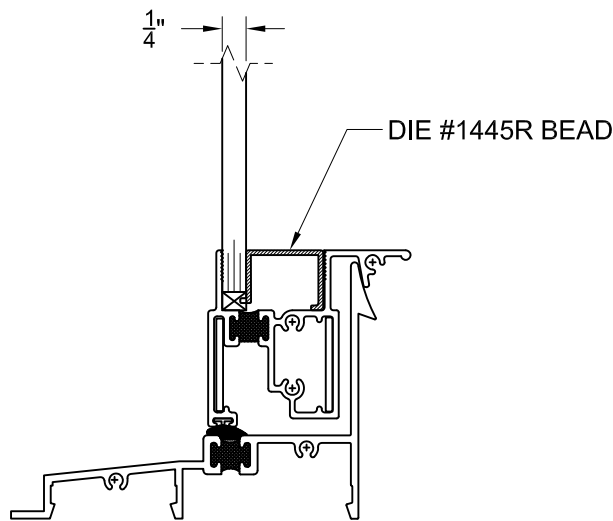


SEAL CRAFT

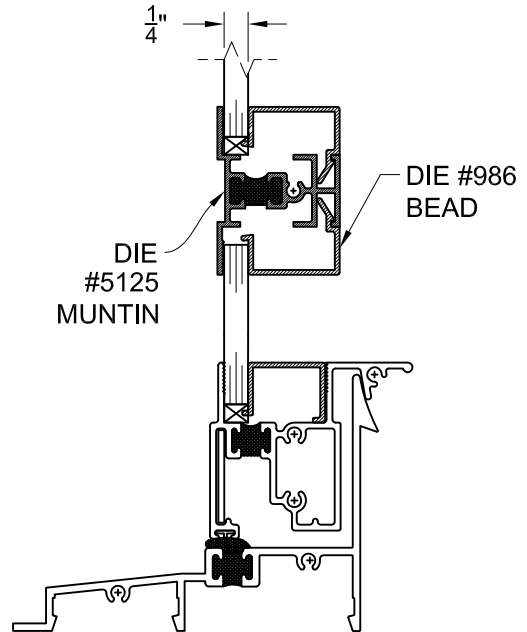
Architectural Window Systems

Model 8000M H-C50

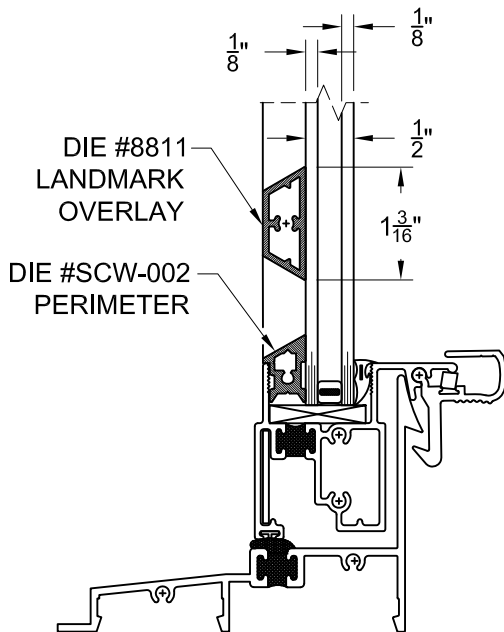
Glazing Options



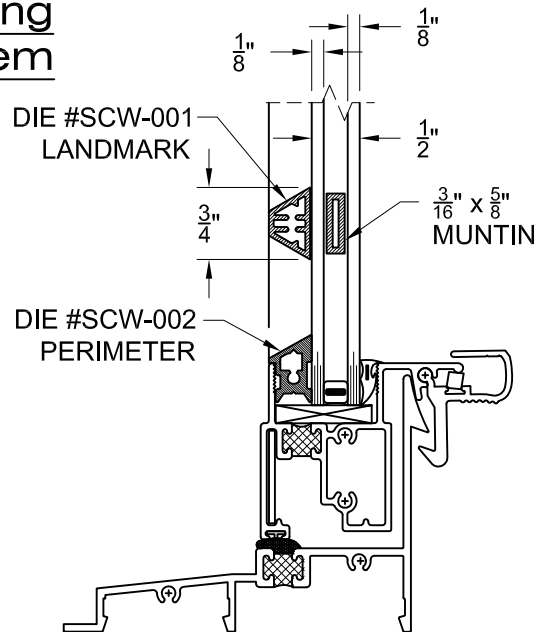
1/4" Monolithic
Glazing
System



1/4" True Divided
Glazing
System



1/2" Insulated
W/ Landmark Overlay
& Perimeter Grid
Glazing System



1/2" Insulated
W/ Landmark Overlay
Perimeter Grid & Shadow Muntin
Glazing System