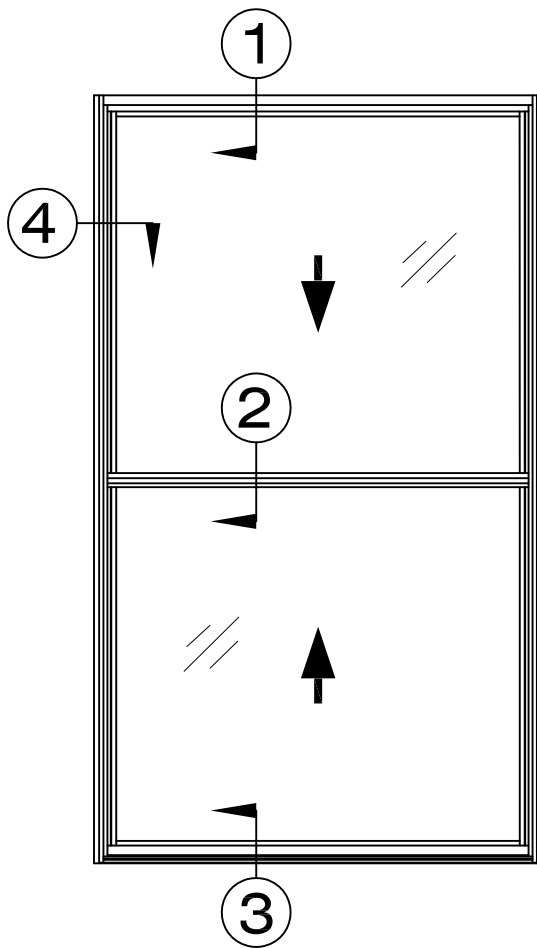


SEAL CRAFT

Architectural Window Systems

Model 8000C H-C50

Exterior Elevation



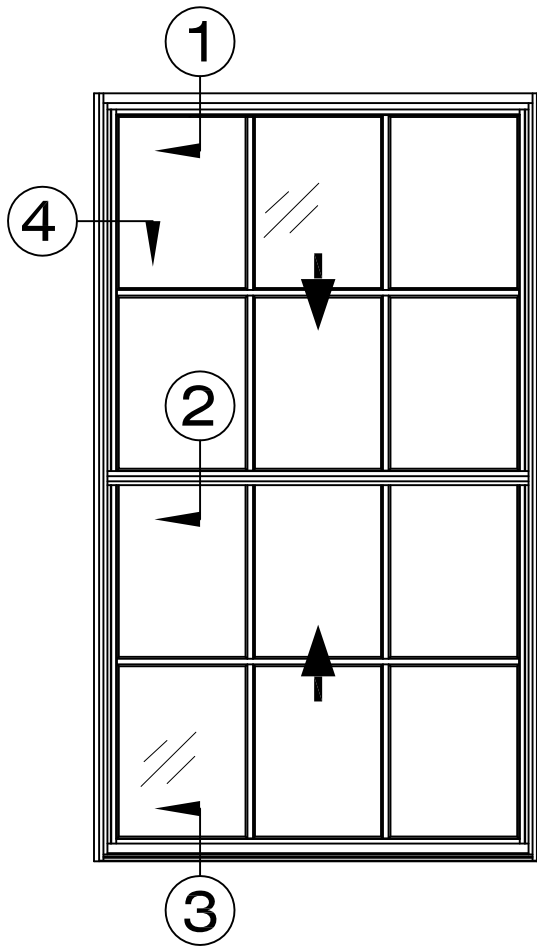
Equal Sitrine
Double Hung Window
Structural Test Pressure up to 75 psf
Water Infiltration Tested to 7.5 lbf/ft²
Air Infiltration Tested to be less than .06 ft³/(min*ft²)
Withstands wind velocity up to 139.8 mph at design pressure
Thermally Improved Frame & Sash
Maximum Size up to W-56" x H-91"
Minimum Size is W-18" x H-27"
Block & Tackle Balance

SEAL CRAFT

Architectural Window Systems

Model 8000C H-C50

Exterior Elevation



Equal Sitrine

Double Hung Window

Structural Test Pressure up to 75 psf

Water Infiltration Tested to 7.5 lbf/ft²

Air Infiltration Tested to be less than .06 ft³/(min*ft²)

Withstands wind velocity up to 139.8 mph at design pressure

Thermally Improved Frame & Sash

Maximum Size up to W-56" x H-91"

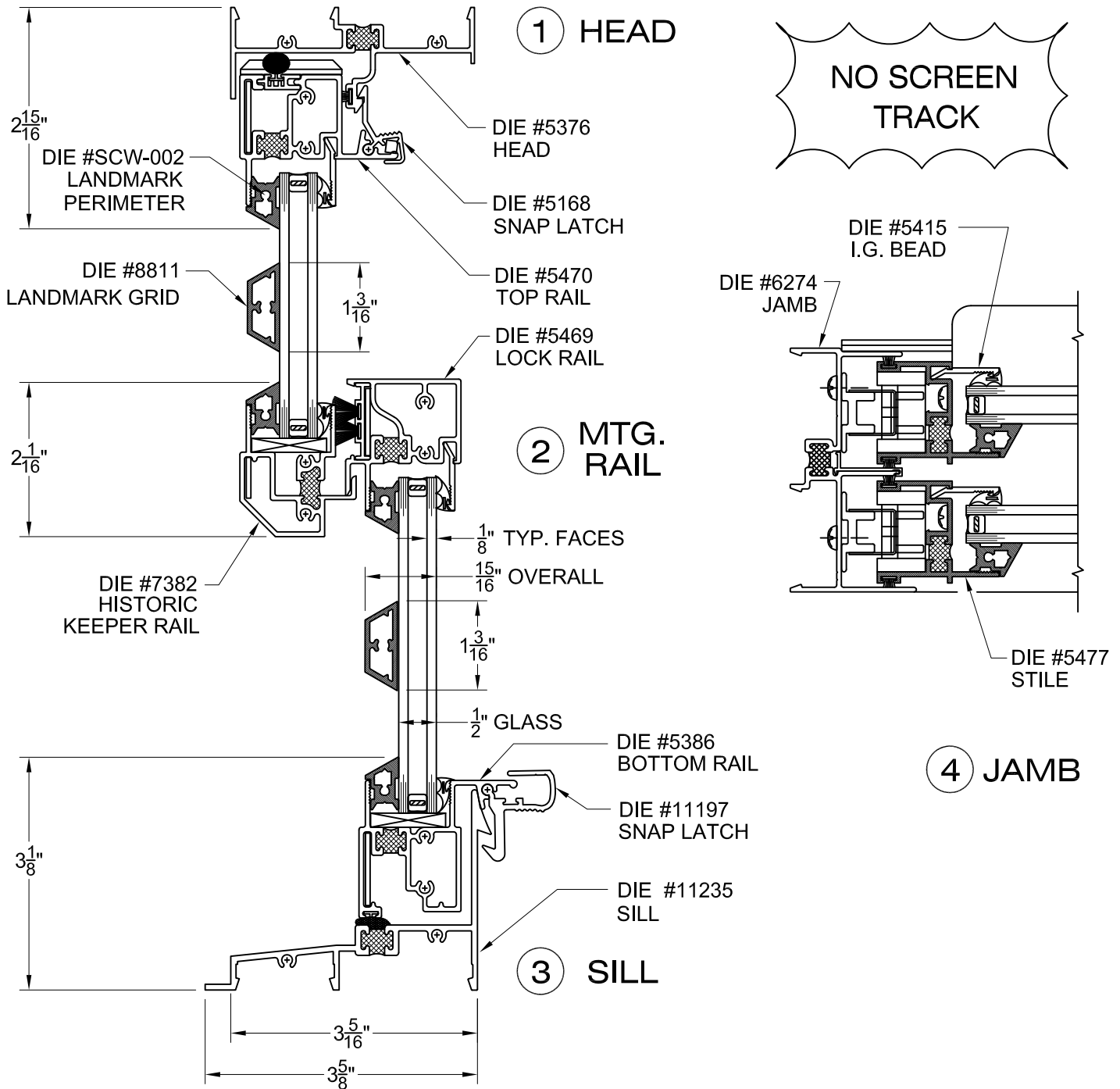
Minimum Size is W-18" x H-27"

Block & Tackle Balance

SEAL CRAFT

Architectural Window Systems

Model 8000C H-C50	Sectional Views
-------------------	-----------------

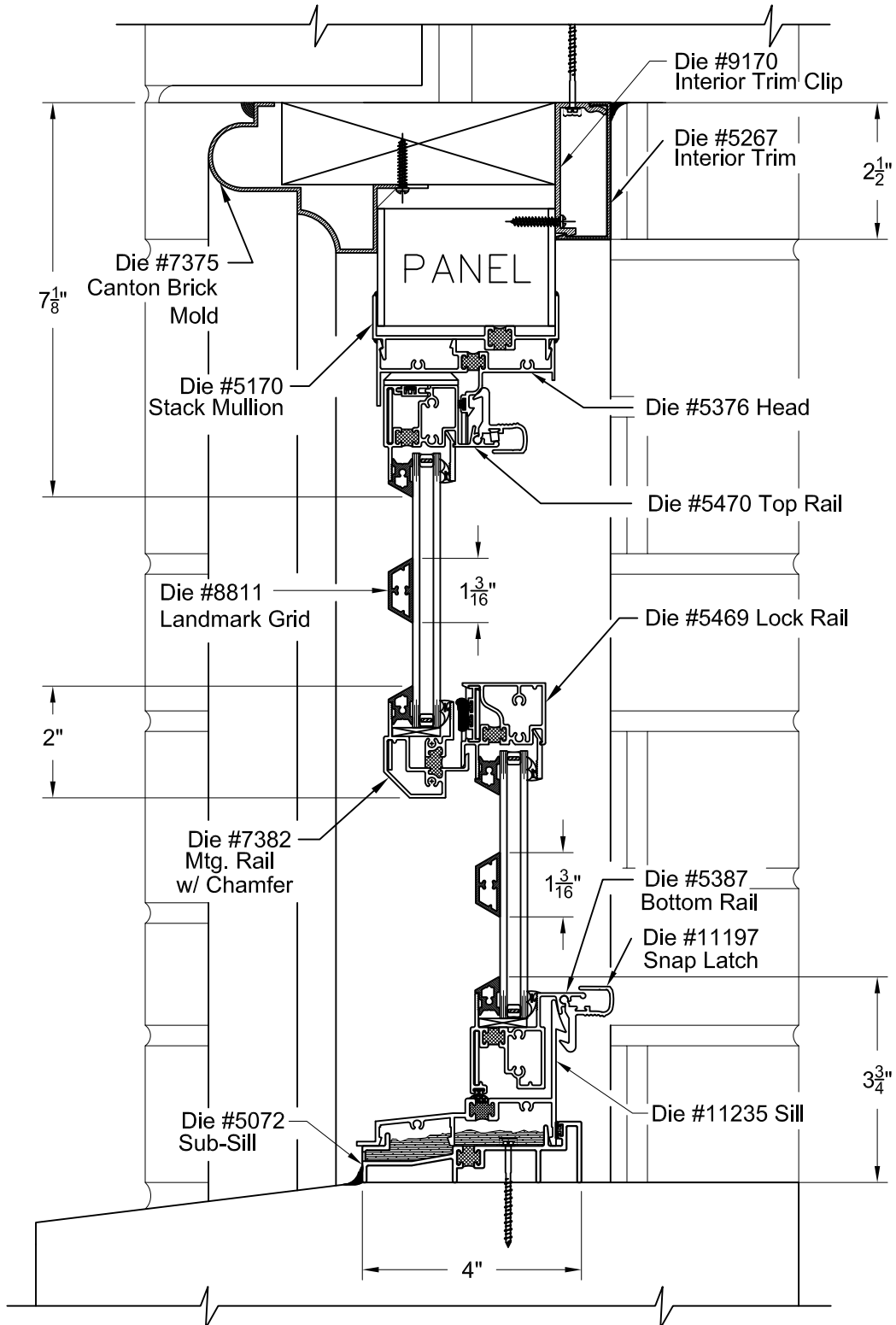


SEAL CRAFT

Architectural Window Systems

Model 8000C H-C50

Vertical Section

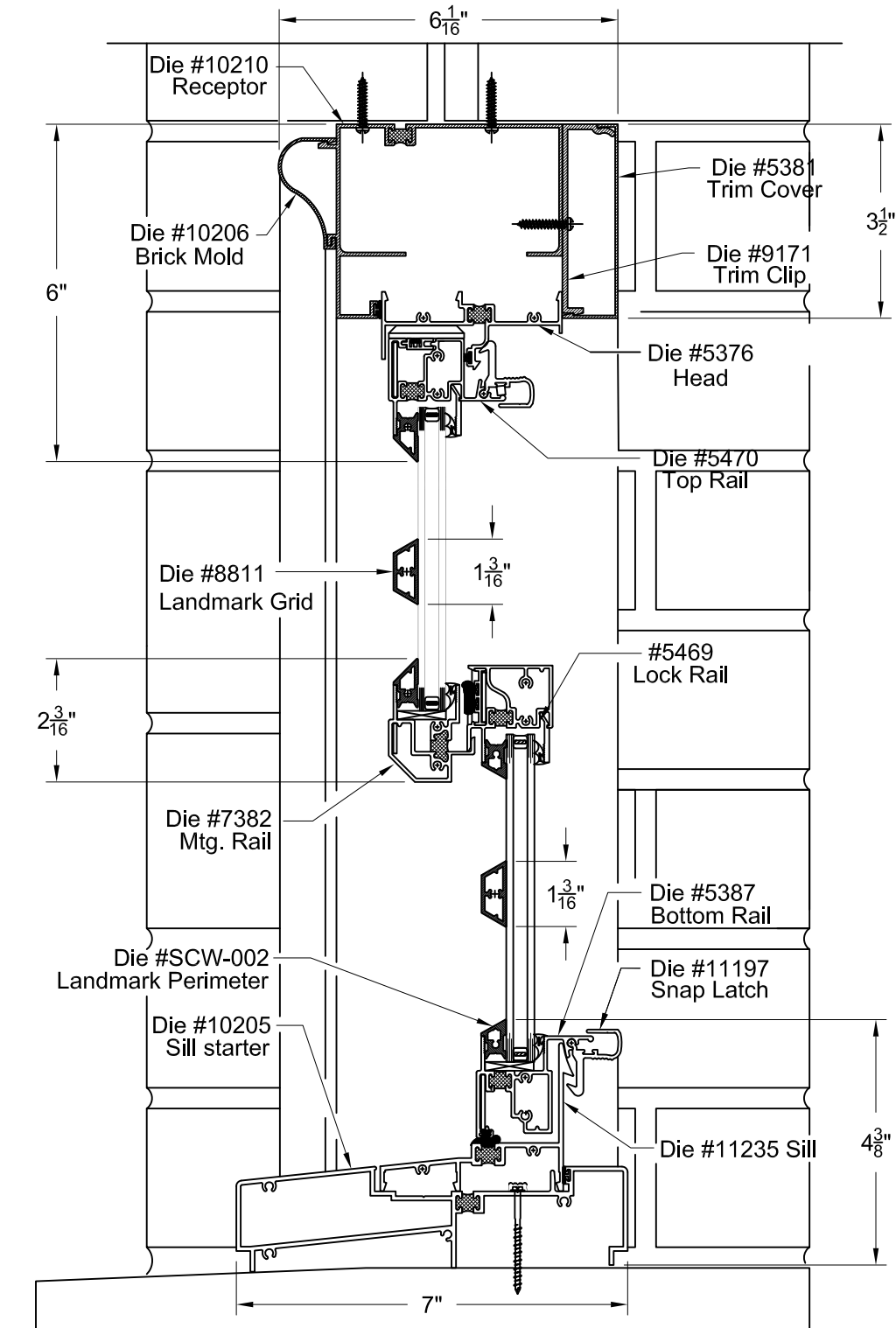


SEAL CRAFT

Architectural Window Systems

Model 8000C H-C50

Vertical Section

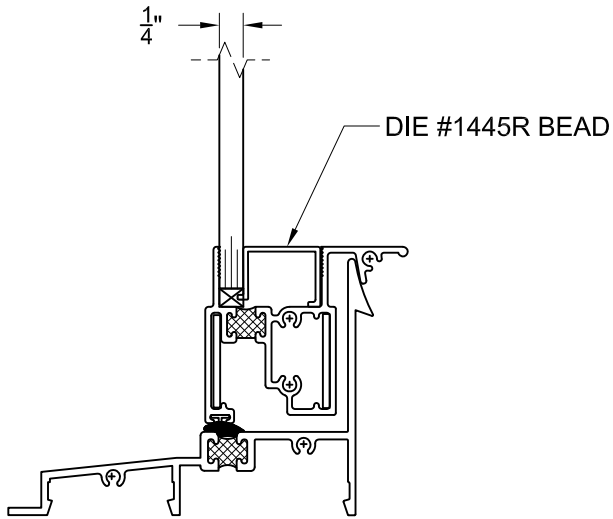


SEAL CRAFT

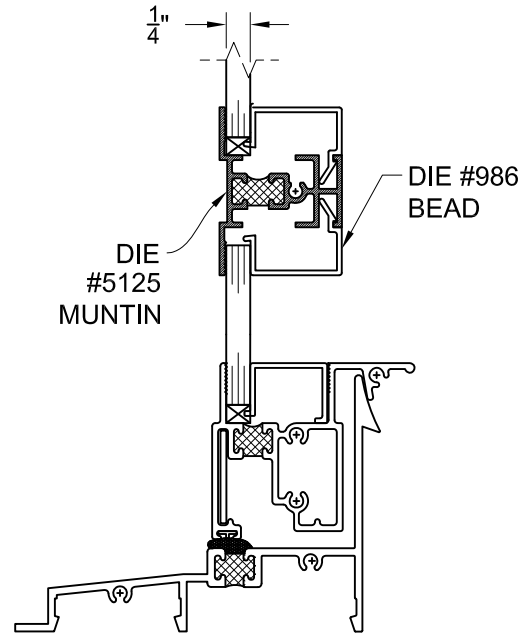
Architectural Window Systems

Model 8000C H-C50

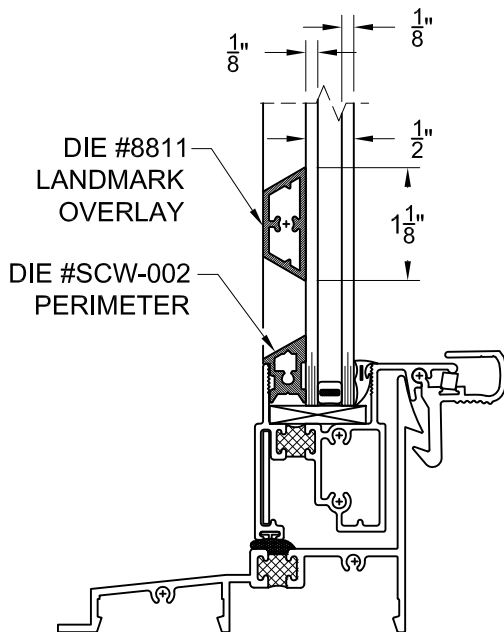
Glazing Options



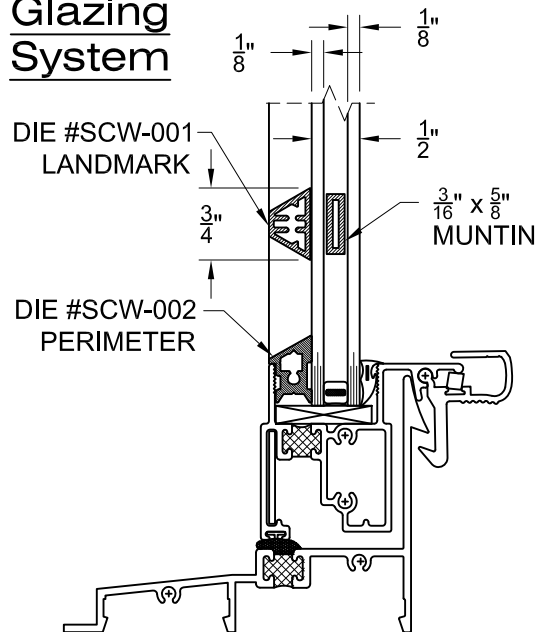
1/4" Monolithic
Glazing
System



1/4" True Divided
Glazing
System



1/2" Insulated
W/ Landmark Overlay
& Perimeter Grid
Glazing System



1/2" Insulated
W/ Landmark Overlay
Perimeter Grid & Shadow Muntin
Glazing System