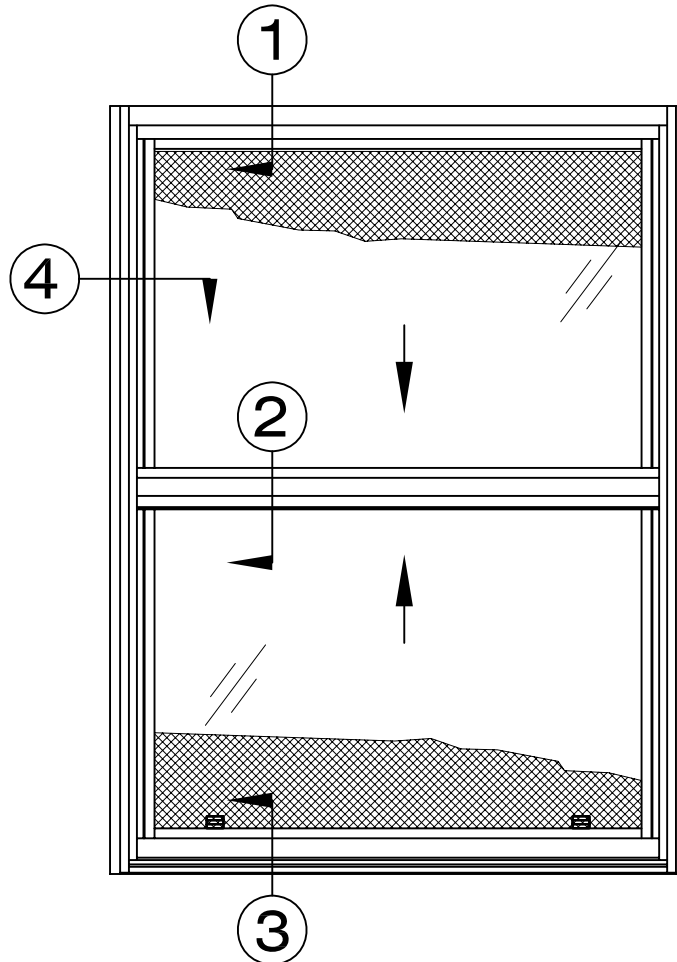


# SEAL CRAFT

Architectural Window Systems

Model 8000 H-C50

Exterior Elevation



Double Hung Window

Structural Test Pressure up to 75 psf

Water Infiltration Tested to  $7.5 \text{ lbf/ft}^2$

Air Infiltration Tested to be less than  $.06 \text{ ft}^3/(\text{min}\cdot\text{ft}^2)$

Withstands wind velocity up to 139.8 mph at design pressure

Thermally Improved Frame & Sash

Maximum Size up to W-56" x H-91"

Minimum Size is W-18" x H-27"

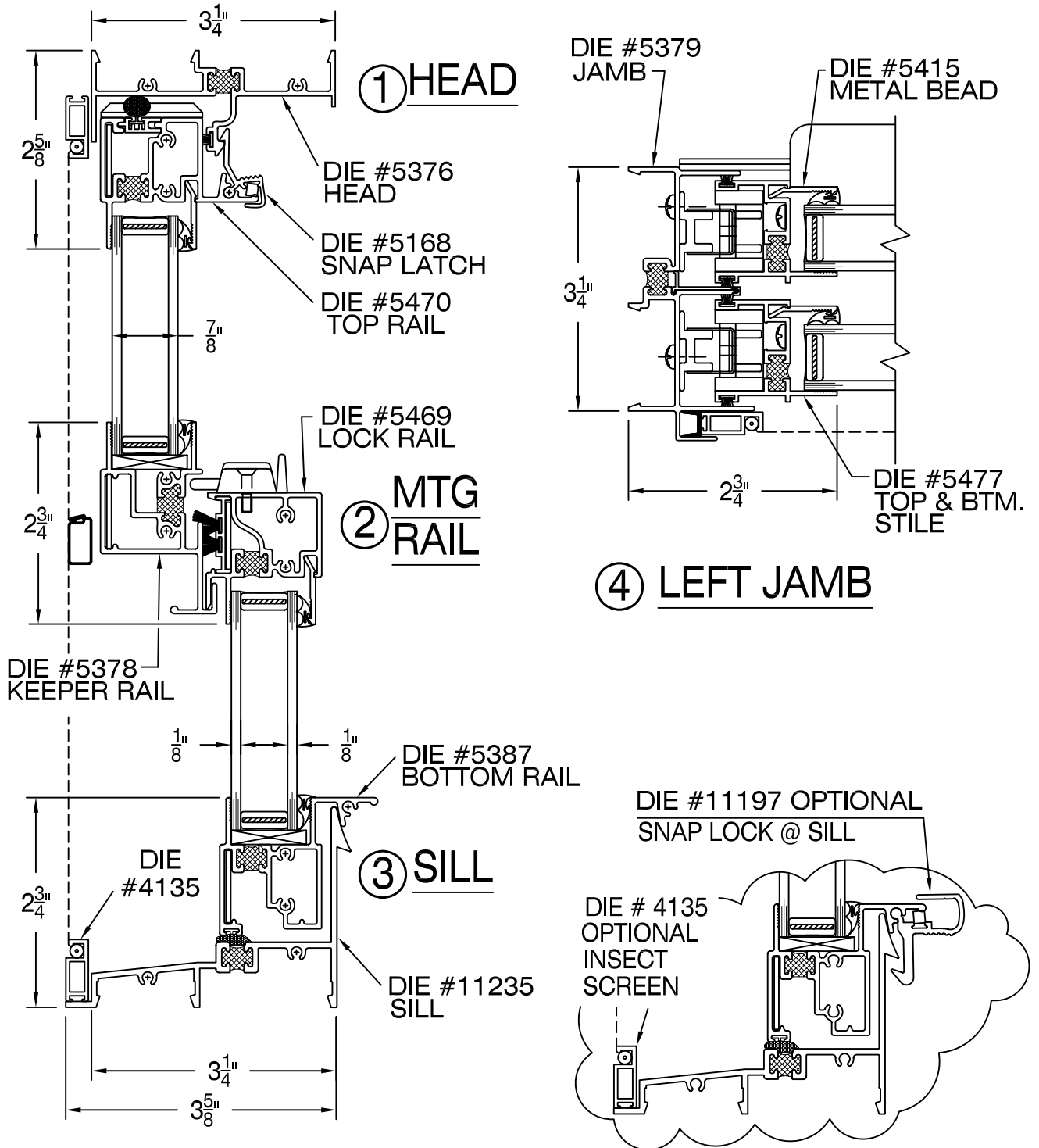
Block & Tackle Balance

# SEAL CRAFT

## Architectural Window Systems

Model 8000 H-C50

Vertical Section/Jamb



HALF SCALE

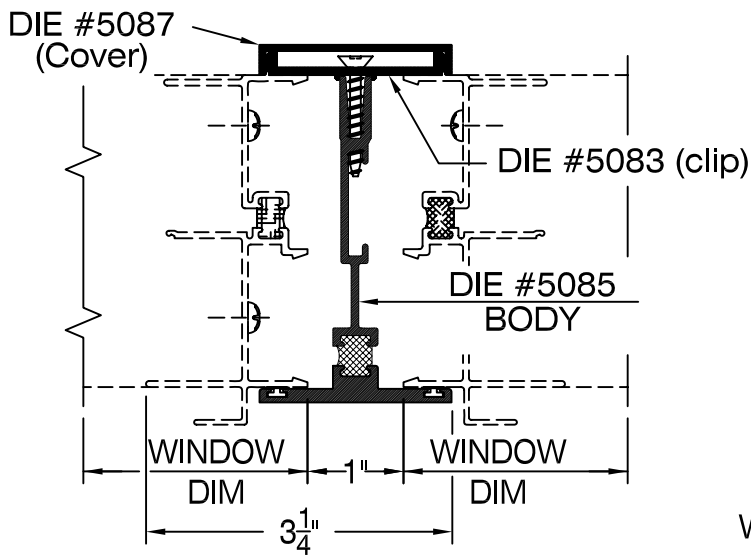
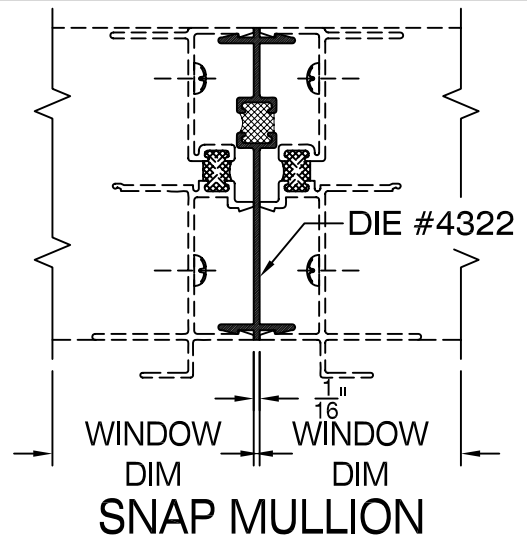
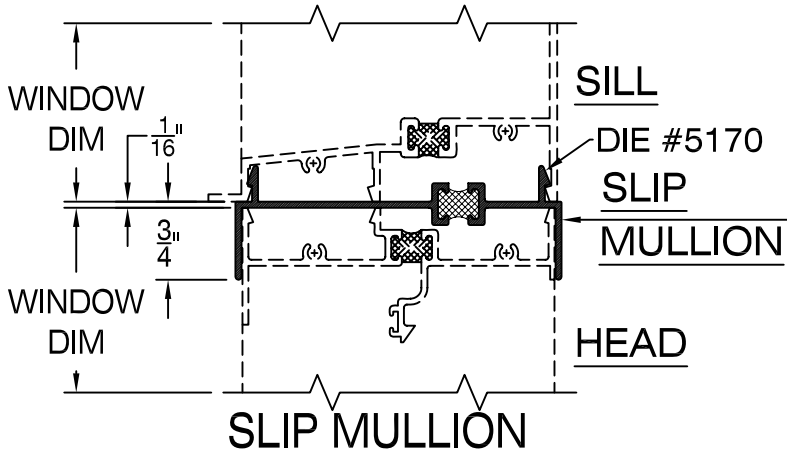
8000 - Page 2

# SEAL CRAFT

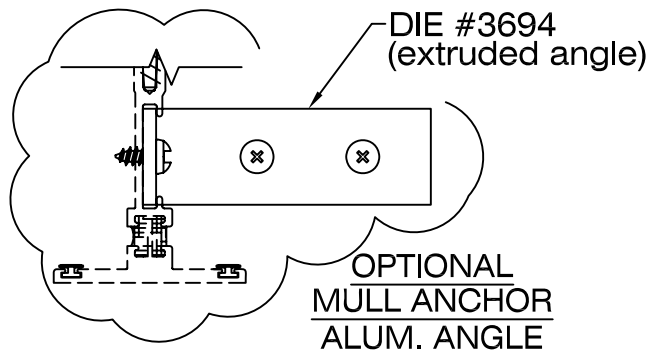
## Architectural Window Systems

Model 8000 H-C50

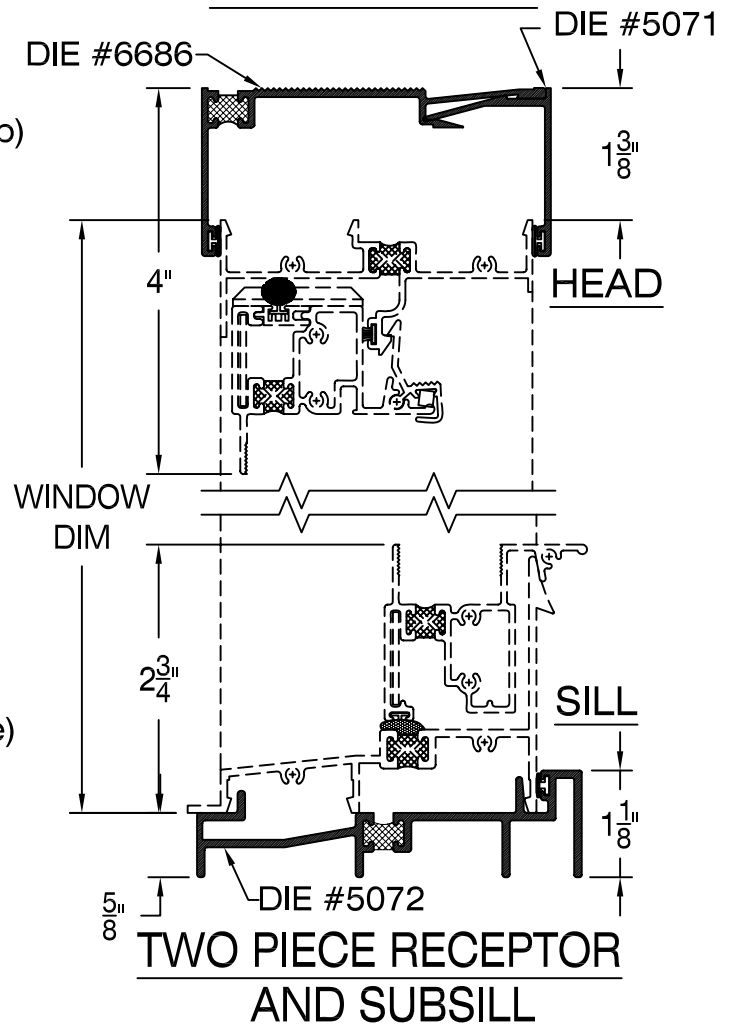
Accessories



THREE PIECE  
STRUCTURAL MULLION



HALF SCALE

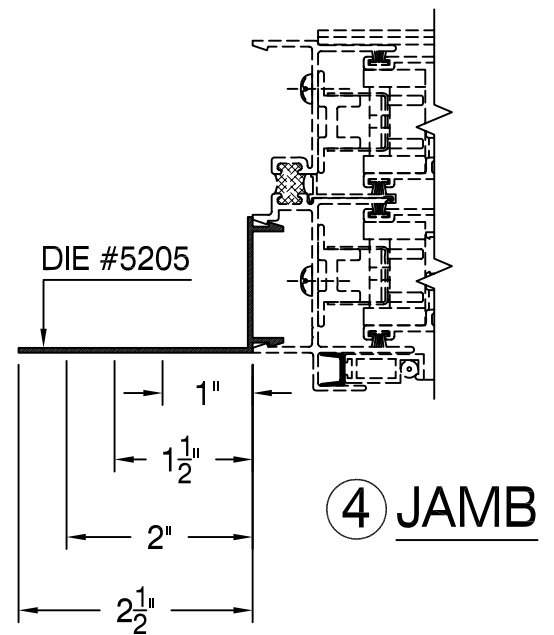
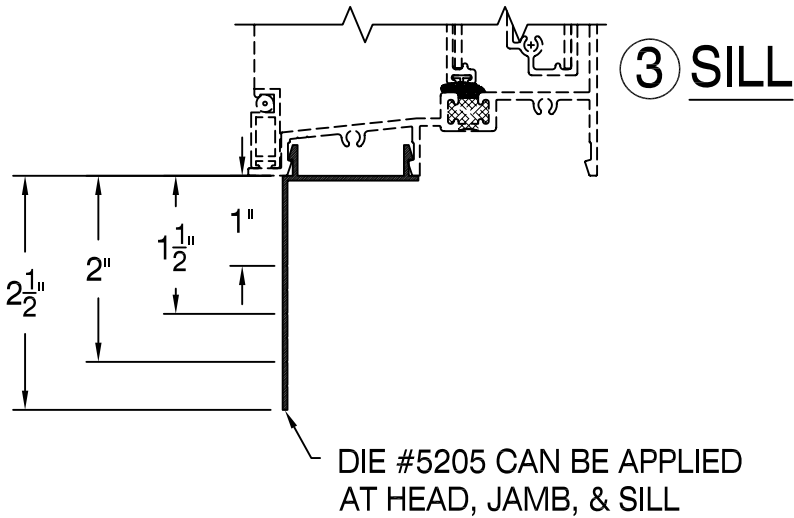
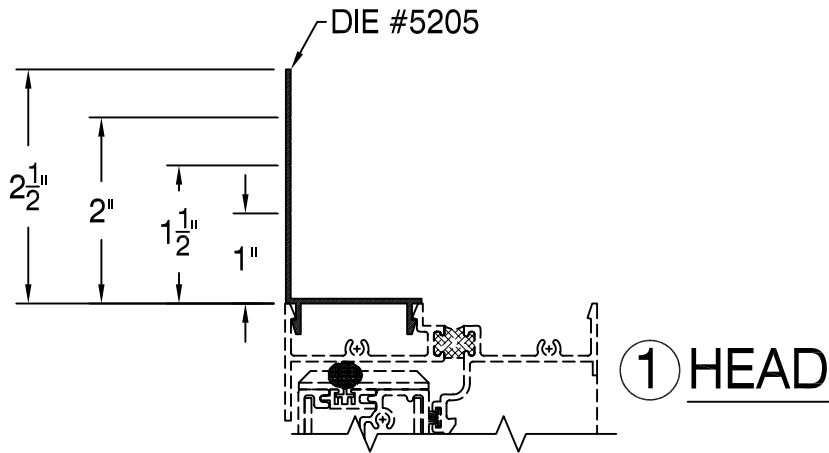


8000 - Page 3

# SEAL CRAFT

## Architectural Window Systems

Model 8000 H-C50 Applied Flange Options

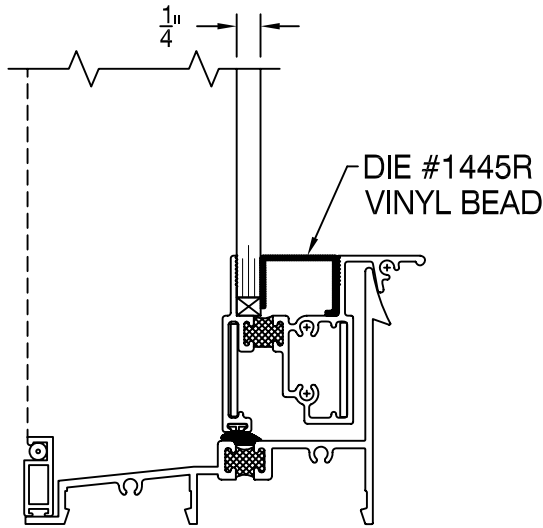


# SEAL CRAFT

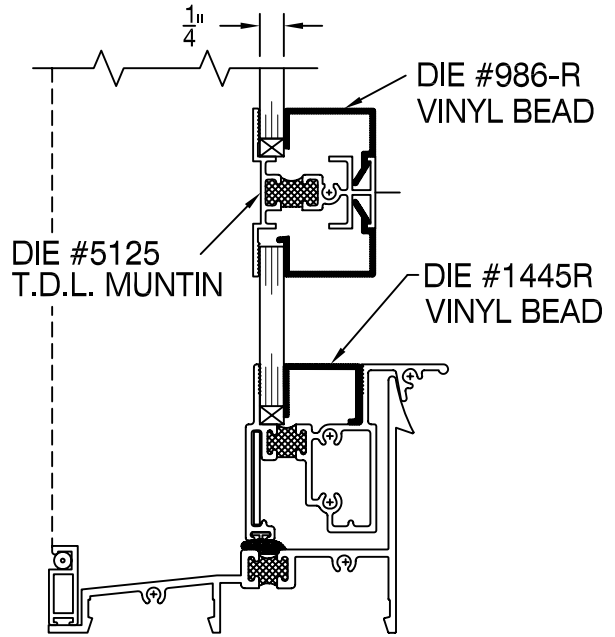
## Architectural Window Systems

Model 8000 H-C50

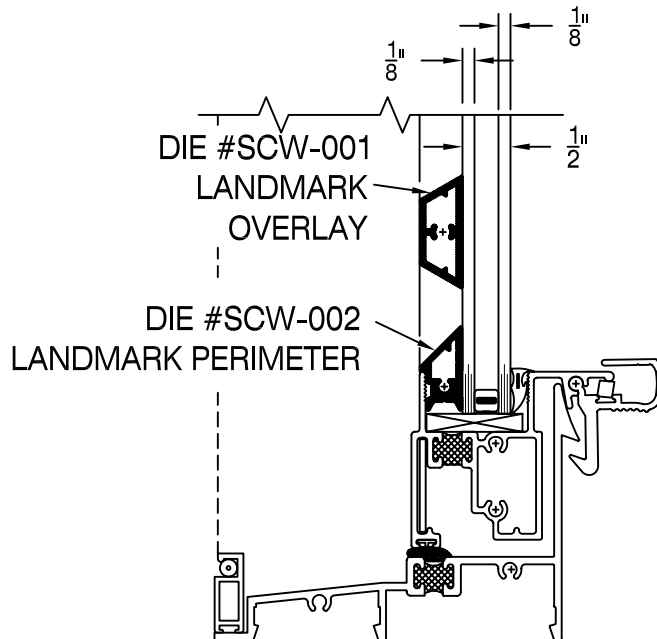
Glazing Options



1/4" Monolithic  
Glazing System



1/4" True Divided Lite  
Glazing System



1/2" Insulated W/ Landmark Overlay  
& Perimeter Grid Glazing System