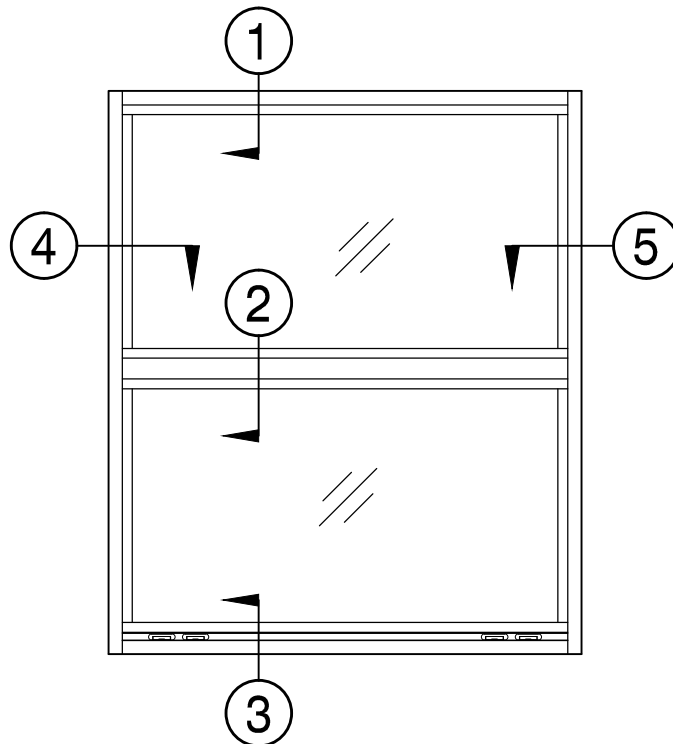


SEAL CRAFT

Architectural Window Systems

Model 4200FX-FX

Exterior Elevation



Fixed Window

Structural Test Pressure up to 70 psf

Water Infiltration Tested to 7.5 lbf/ft²

Air Infiltration Tested to be less than .01 cfm/ft²

Withstands wind velocity up to 125 mph at design pressure

Thermally Improved Frame

Maximum Size up to W-72" x H-72"

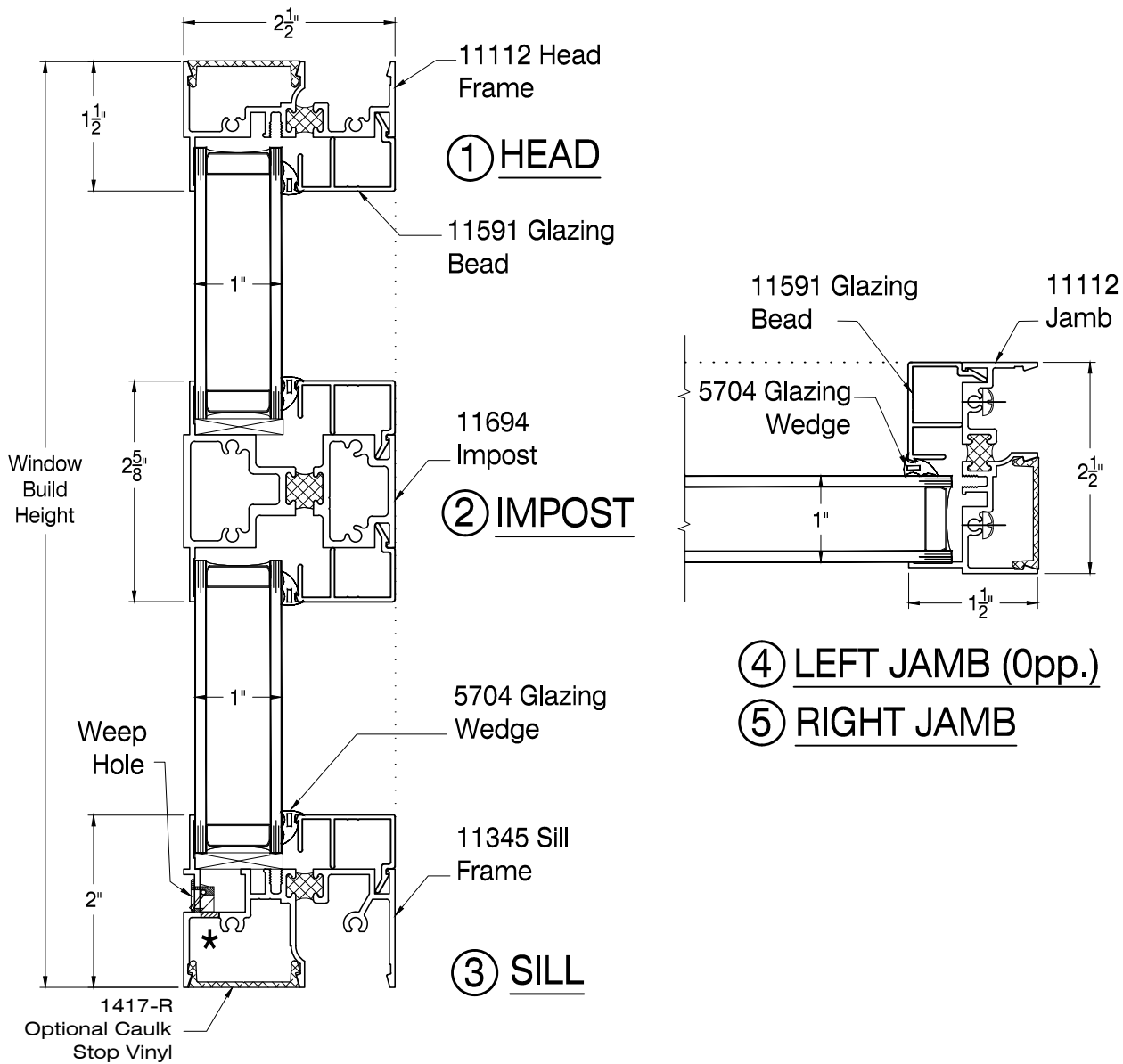
Minimum Size is W-18" x H-27"

SEAL CRAFT

Architectural Window Systems

Model 4200FX-FX

Section Details



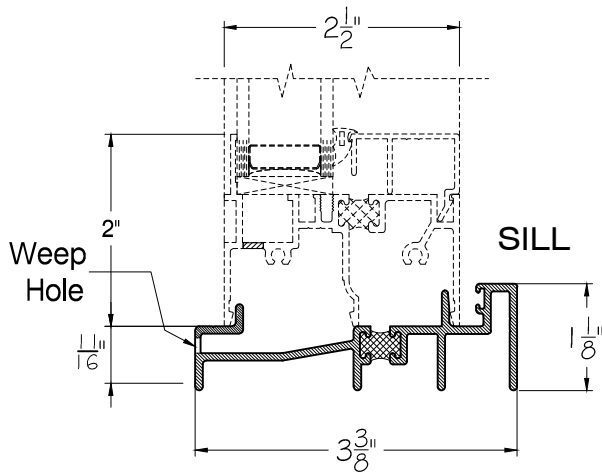
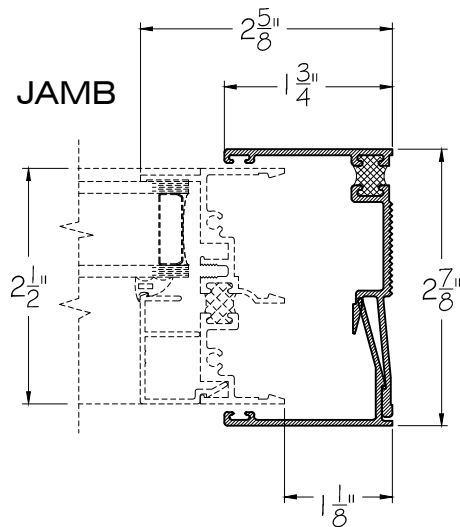
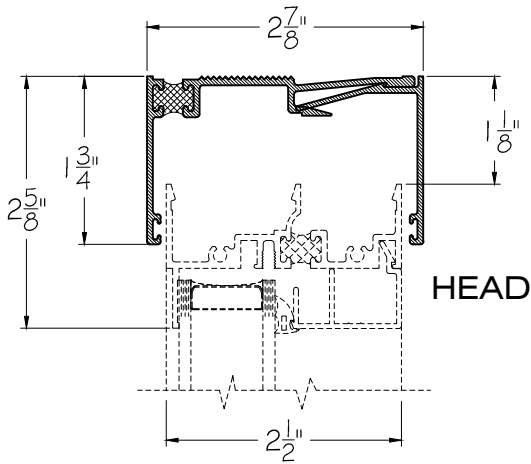
VERTICAL SECTION

* Weep Holes if Subsill

SEAL CRAFT

Architectural Window Systems

2 1/2 " STANDARD SUB-FRAME SYSTEM



2 1/2" Thermal Frame
Equal Leg Subsill