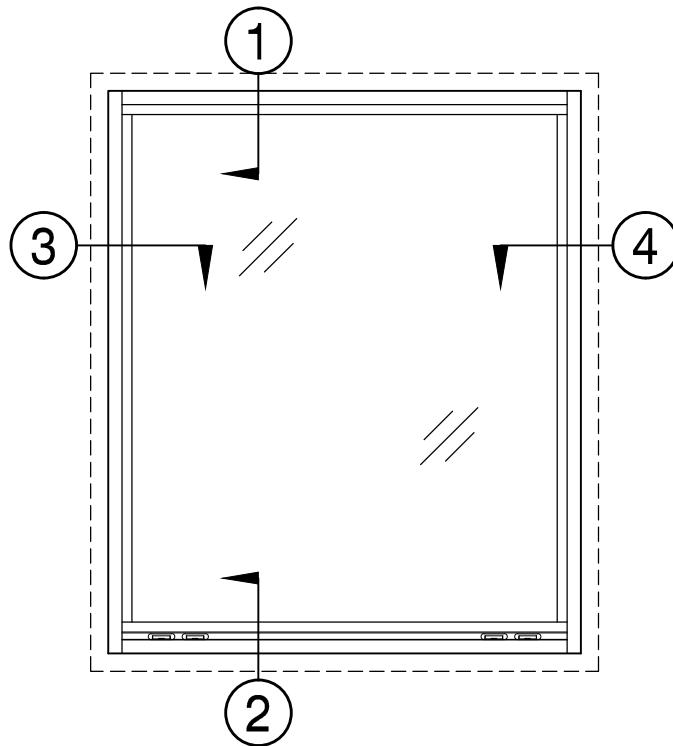


# SEAL CRAFT

## Architectural Window Systems

Model 4200FX

Exterior Elevation  
with Integral Nail Fin



Fixed Window

Structural Test Pressure up to 70 psf

Water Infiltration Tested to 7.5 lbf/ft<sup>2</sup>

Air Infiltration Tested to be less than .01 cfm/ft<sup>2</sup>

Withstands wind velocity up to 125 mph at design pressure

Thermally Improved Frame

Maximum Size up to W-72" x H-72"

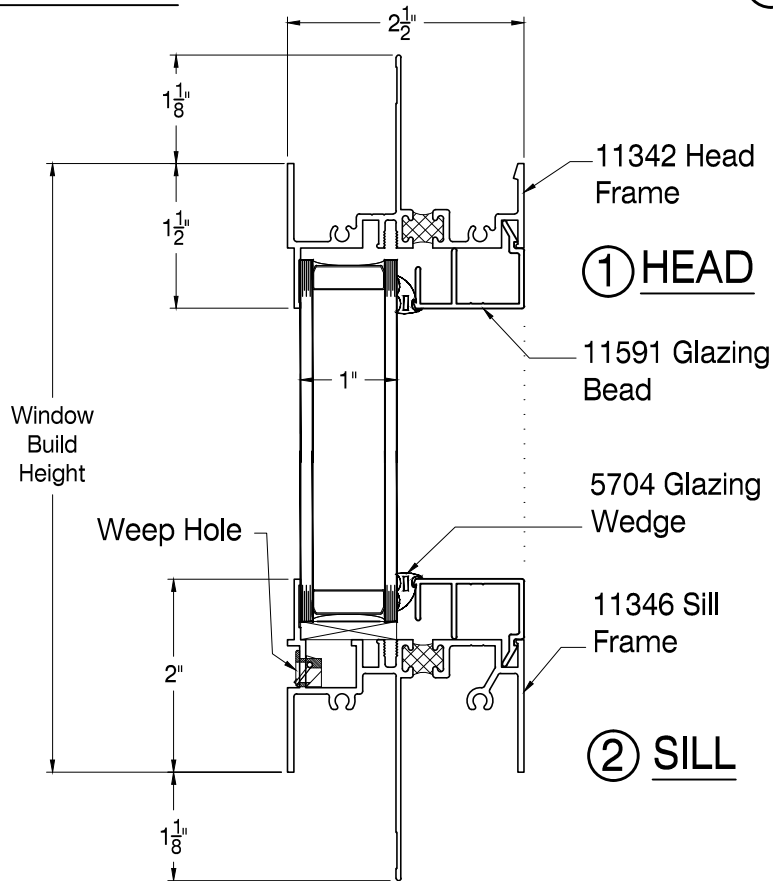
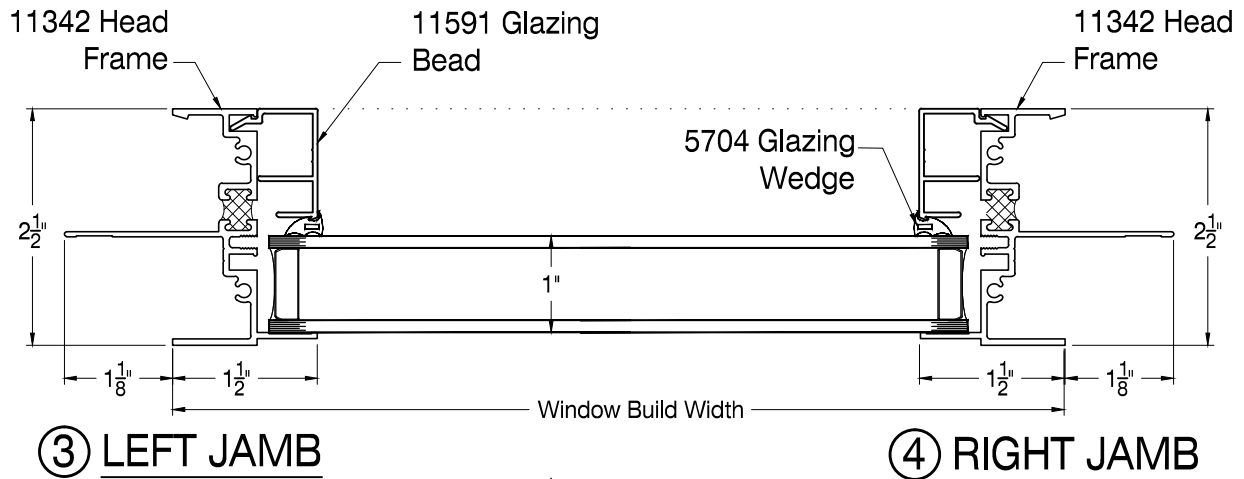
Minimum Size is W-18" x H-27"

# SEAL CRAFT

## Architectural Window Systems

Model 4200FX

Section Details  
with Integral Nail Fin



VERTICAL SECTION