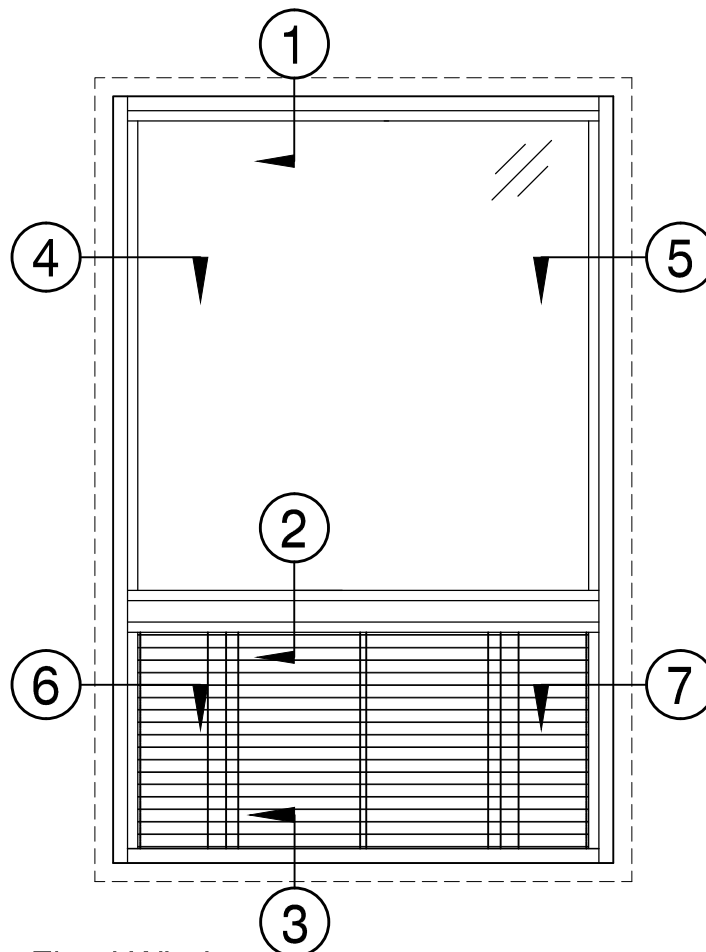


SEAL CRAFT

Architectural Window Systems

Model 4200FX- Louver

Exterior Elevation



Fixed Window

Structural Test Pressure up to 75.19 psf

Water Infiltration Tested to 10.03 lb/ft²

Air Infiltration Tested to be less than .01 cfm/ft²

Withstands wind velocity up to 141.5 mph at design pressure

Thermally Improved Frame

Maximum Size up to W-60" x H-99"

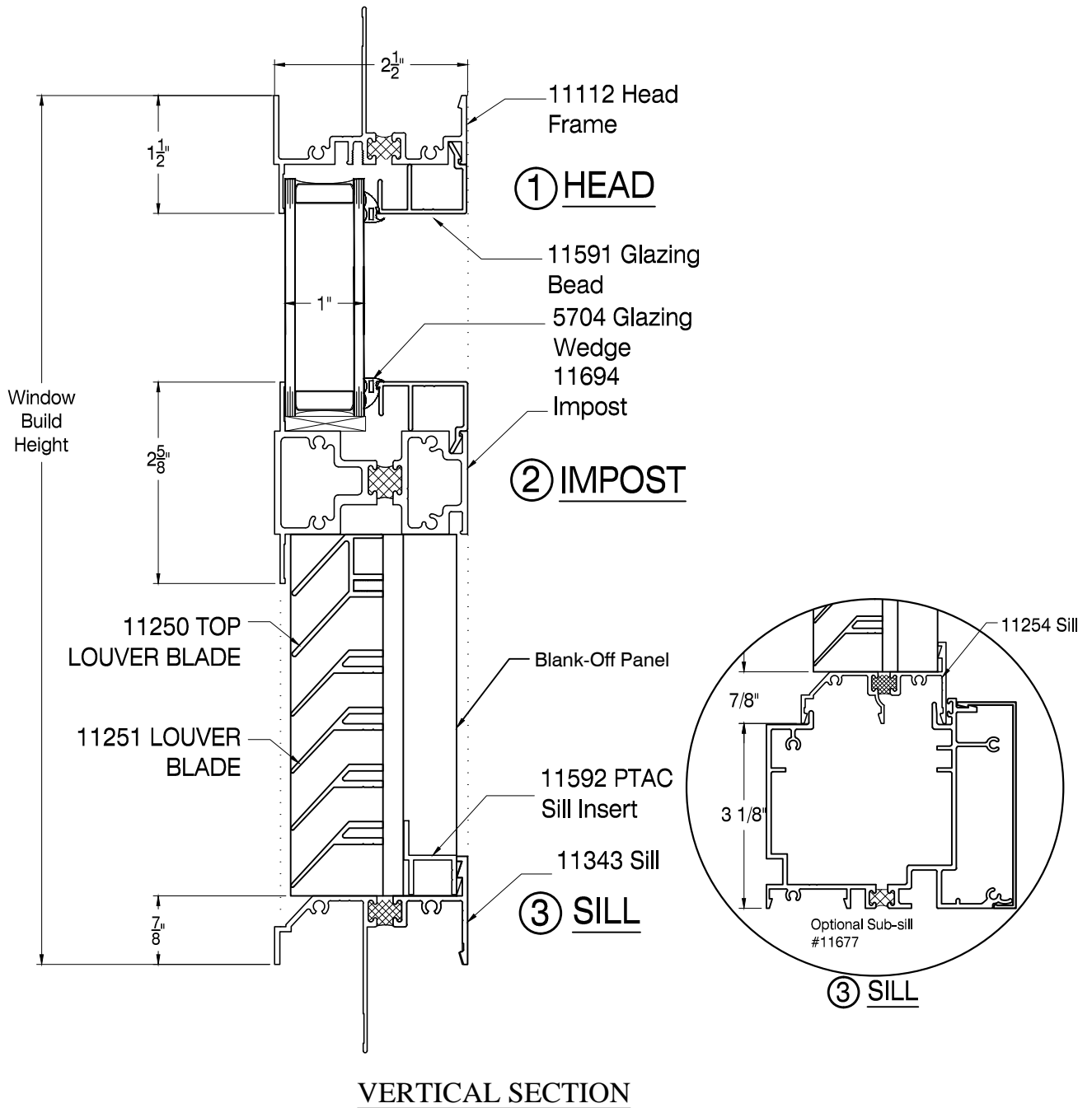
Minimum Size is W-18" x H-27"

SEAL CRAFT

Architectural Window Systems

Model 4200FX- Louver

Section Details

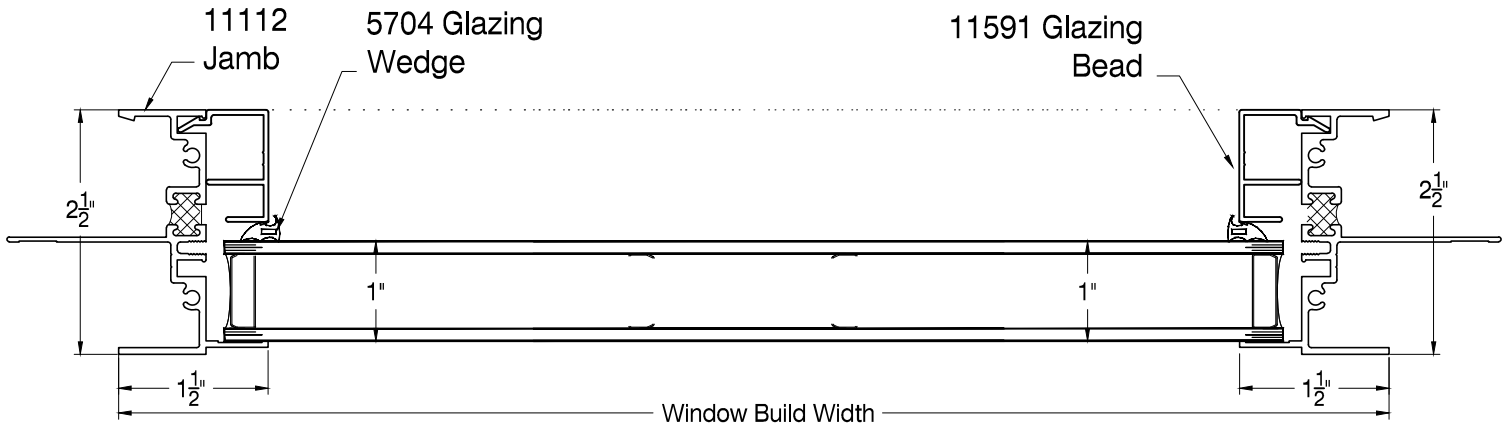


SEAL CRAFT

Architectural Window Systems

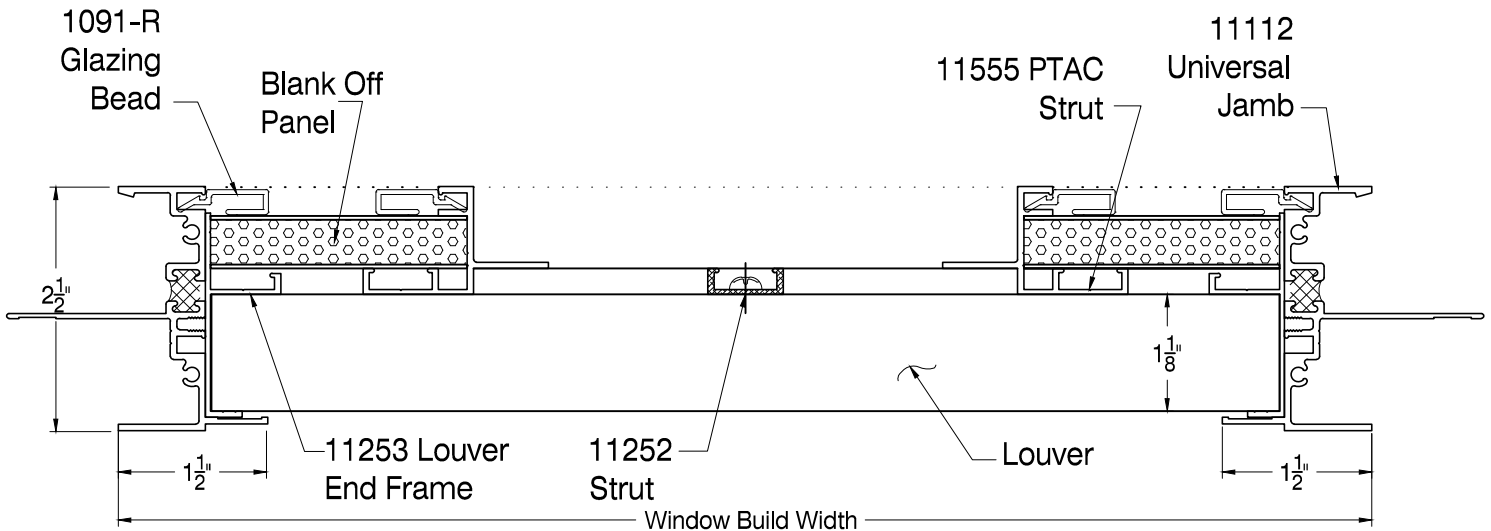
Model 4200FX- Louver

Section Details



④ LEFT JAMB

⑤ RIGHT JAMB



⑧ LEFT JAMB

⑨ RIGHT JAMB