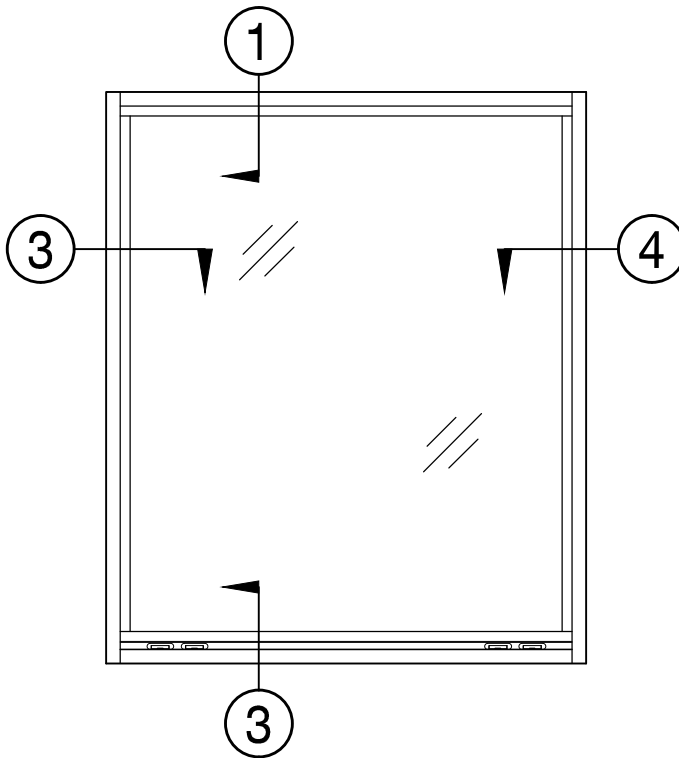


SEAL CRAFT

Architectural Window Systems

Model 4200FX

Exterior Elevation



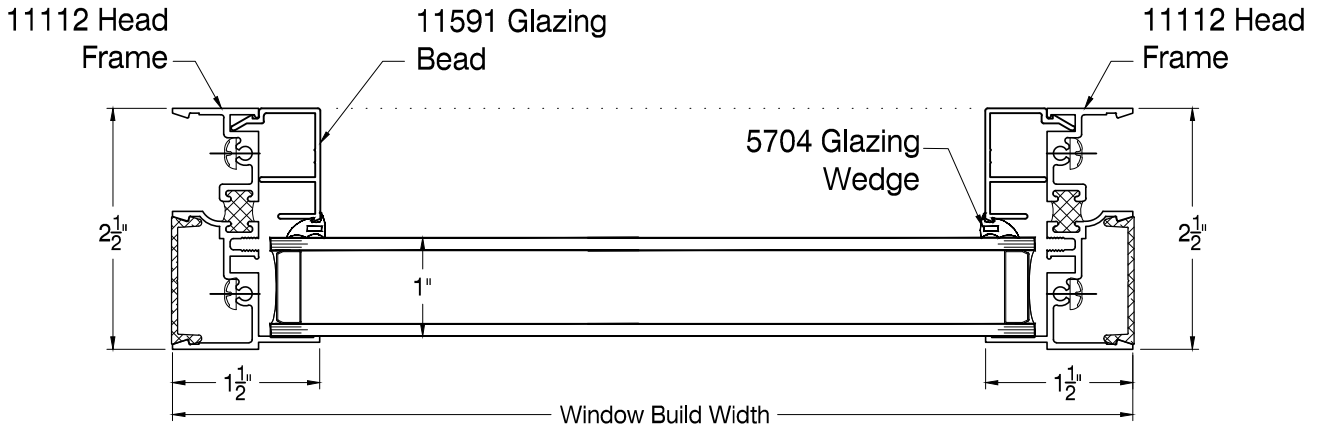
Fixed Window
Structural Test Pressure up to 75 psf
Water Infiltration Tested to 10 lbf/ft²
Air Infiltration Tested to be less than .01 cfm/ft²
Withstands wind velocity up to 141 mph at design pressure
Thermally Improved Frame
Maximum Size up to W-60" x H-99"
Minimum Size is W-18" x H-27"

SEAL CRAFT

Architectural Window Systems

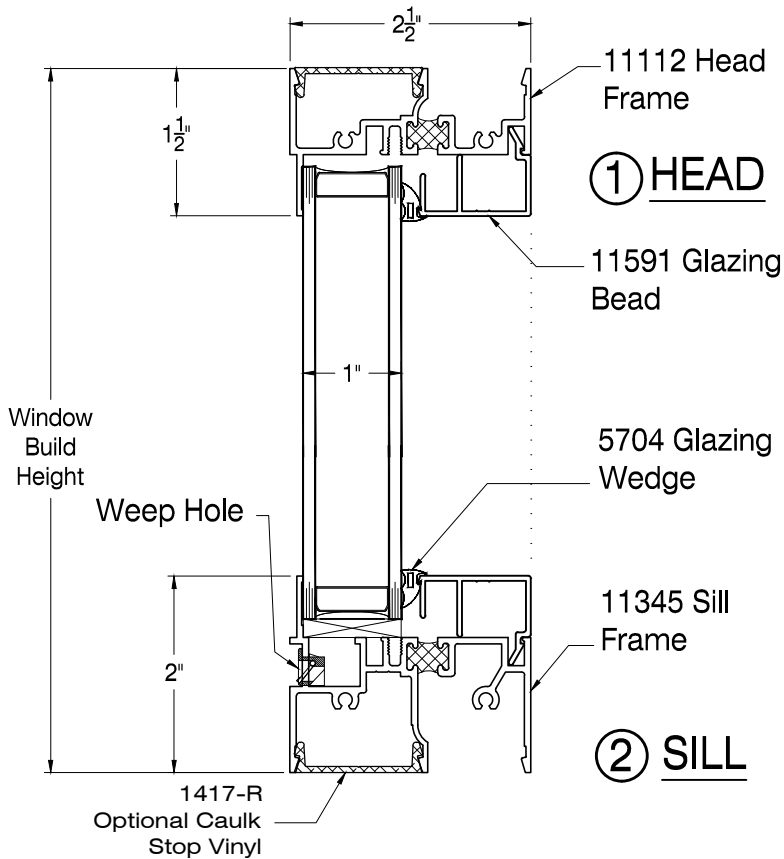
Model 4200 FX

Section Details



③ LEFT JAMB

④ RIGHT JAMB



VERTICAL SECTION