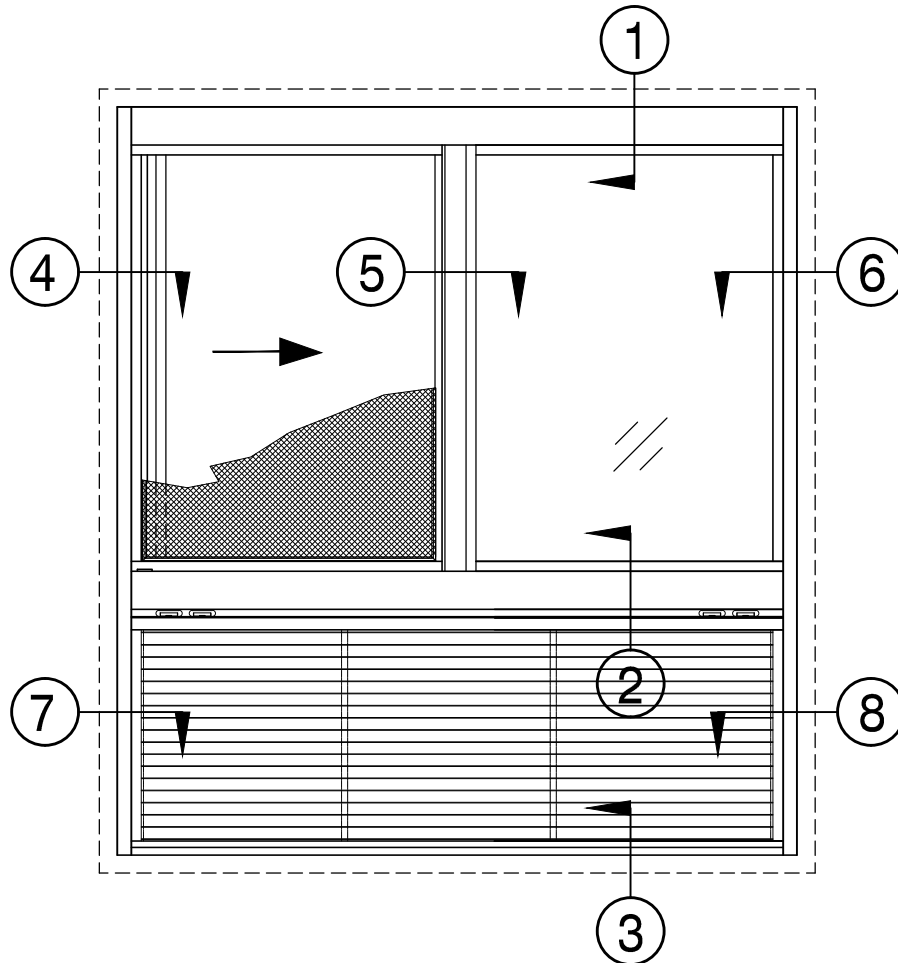


SEAL CRAFT

Architectural Window Systems

Model 4100HS-FX Louver

Exterior Elevation
with Integral Nail Fin



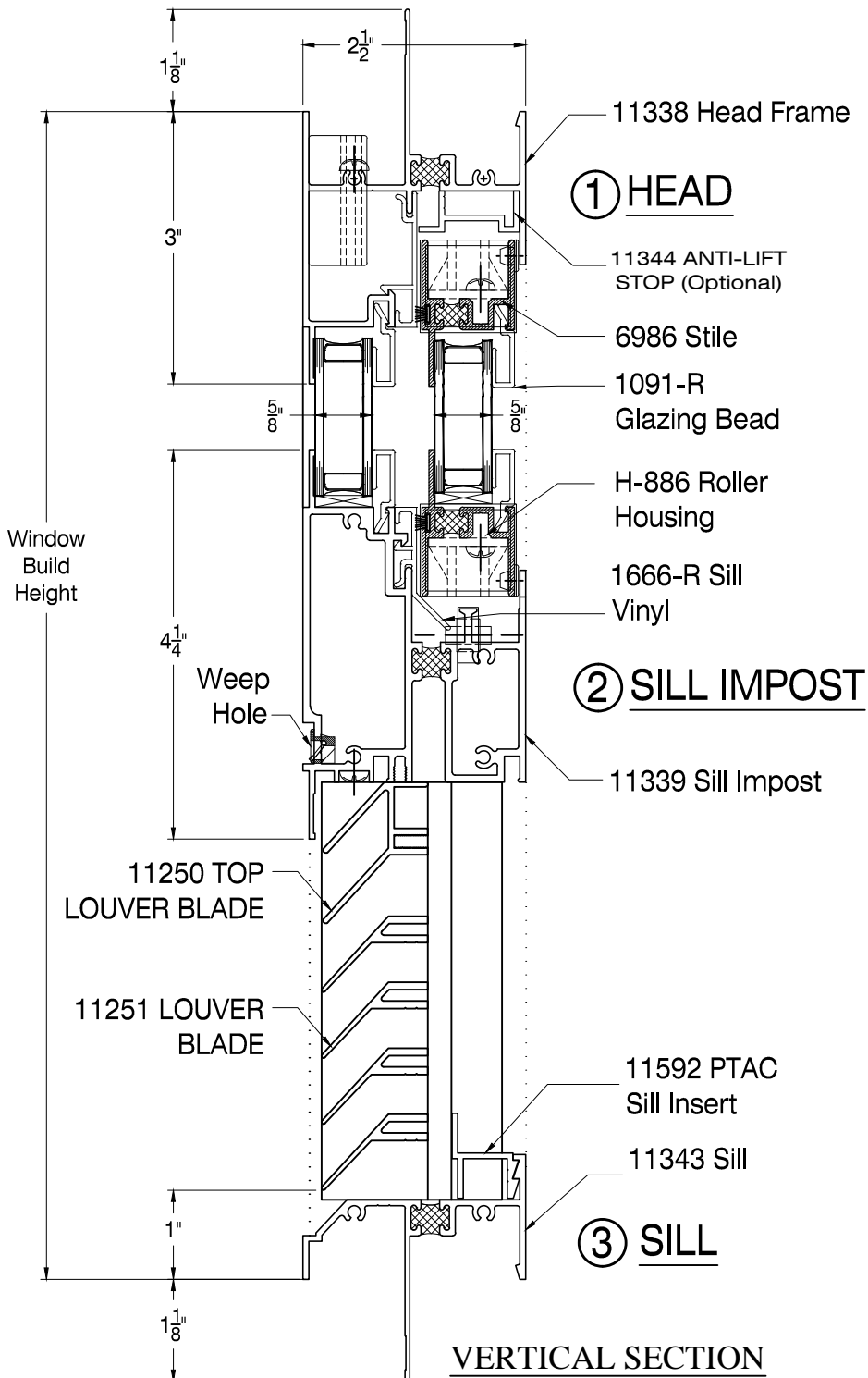
Horizontal Sliding Window with Integral Louver
Structural Test Pressure up to 60 psf
Water Infiltration Tested to 8.0 lbf/ft.²
Air Infiltration Tested to be less than 0.01 cfm/ft.²
Withstands wind velocity up to 126 mph at design pressure
Thermally Improved Frame & Sash for slider
Maximum Size up to W-71" x H-60"
Minimum Size is W-36" x H-24"

SEAL CRAFT

Architectural Window Systems

Model 4100HS-FX Louver

Section Details with Integral Nail Fin



SEAL CRAFT

Architectural Window Systems

Model 4100HS-FX Louver

Section Details with Integral Nail Fin

