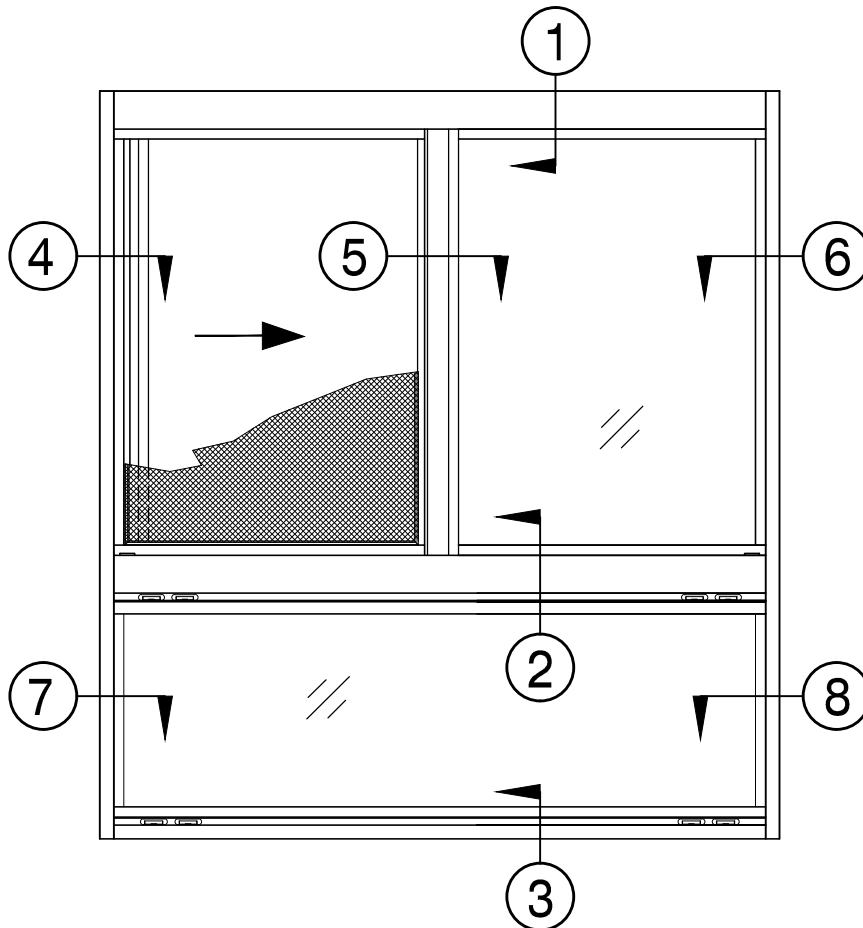


SEAL CRAFT

Architectural Window Systems

Model 4100HS-FX

Exterior Elevation



Horizontal Sliding Window

Structural Test Pressure up to 60 psf

Water Infiltration Tested to 8.0 lbf/ft.²

Air Infiltration Tested to be less than 0.02 cfm/ft.²

Withstands wind velocity up to 155.0 mph at design pressure

Thermally Improved Frame & Sash

Maximum Size up to W-71" x H-60"

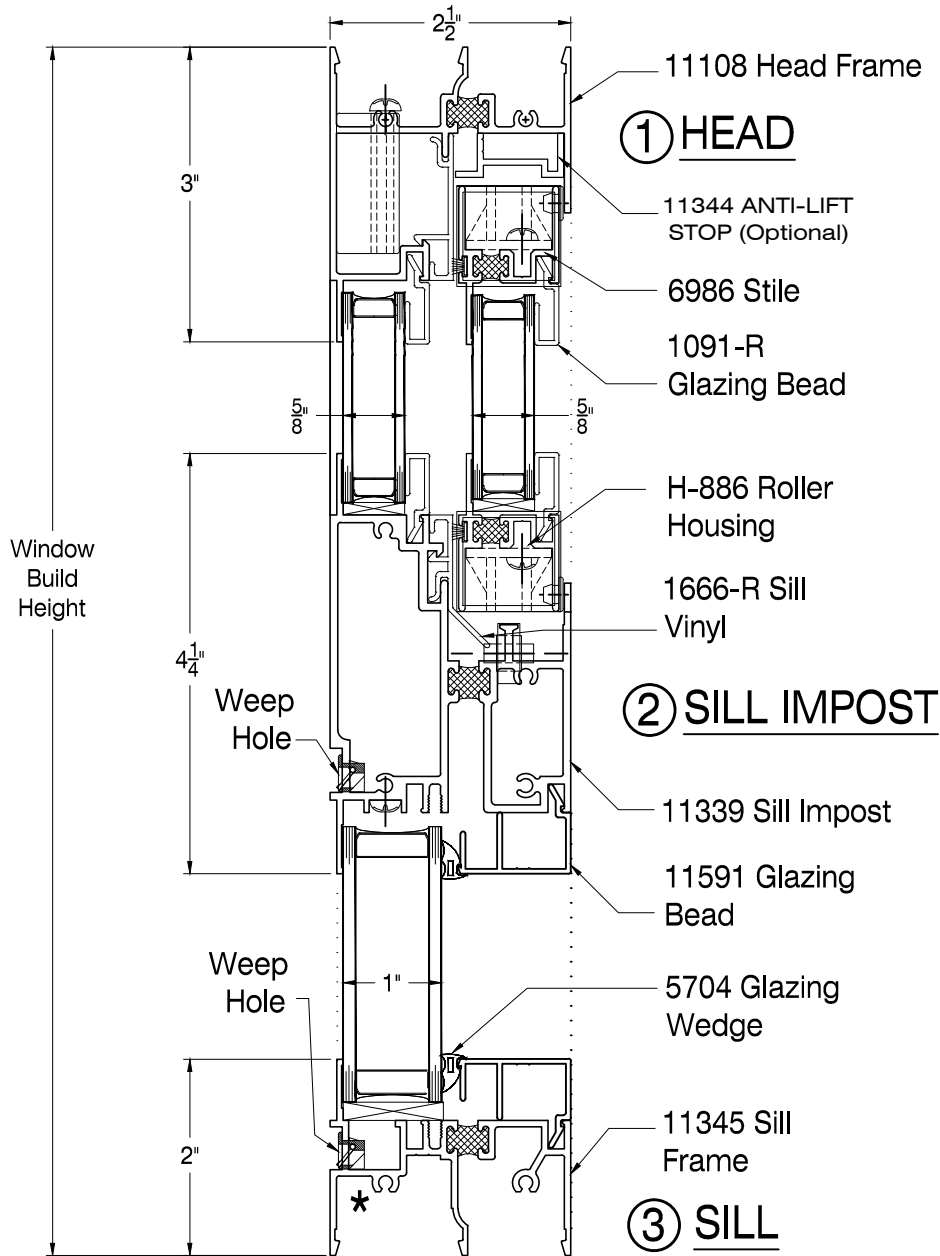
Minimum Size is W-36" x H-24"

SEAL CRAFT

Architectural Window Systems

Model 4100HS-FX

Section Details



VERTICAL SECTION

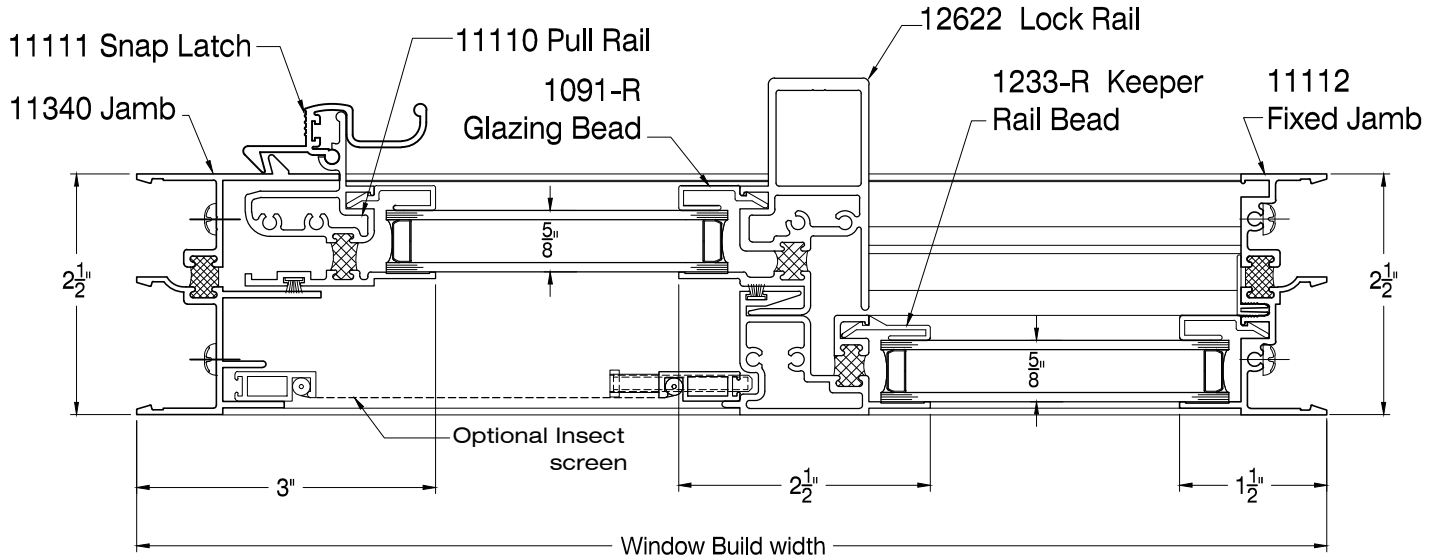
* Weep Holes if Subsill

SEAL CRAFT

Architectural Window Systems

Model 4100HS-FX

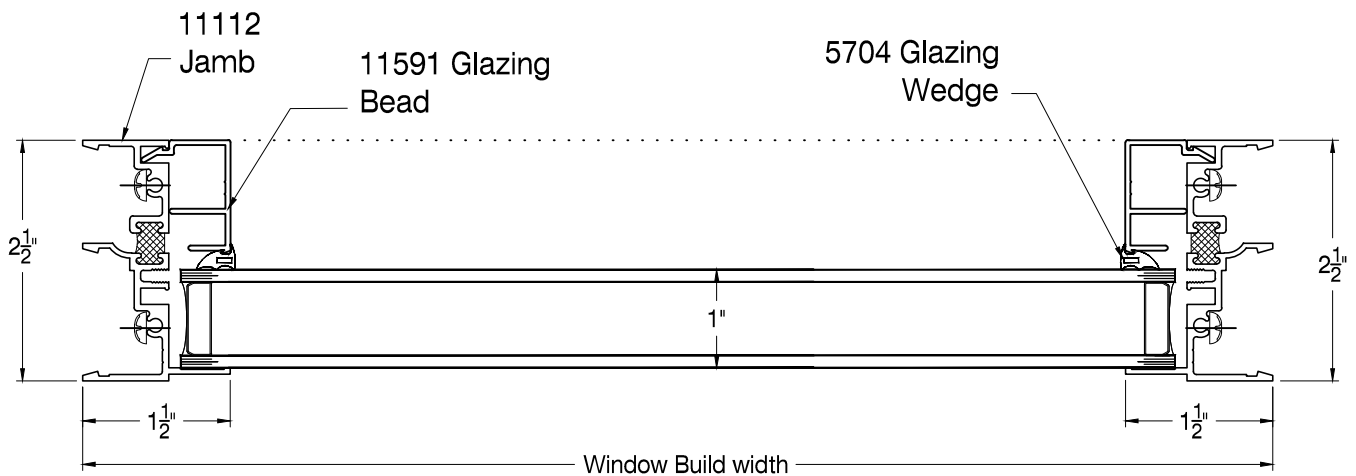
Section Details



④ LEFT JAMB

⑤ MTG. RAIL

⑥ RIGHT JAMB



⑦ LEFT JAMB

⑧ RIGHT JAMB