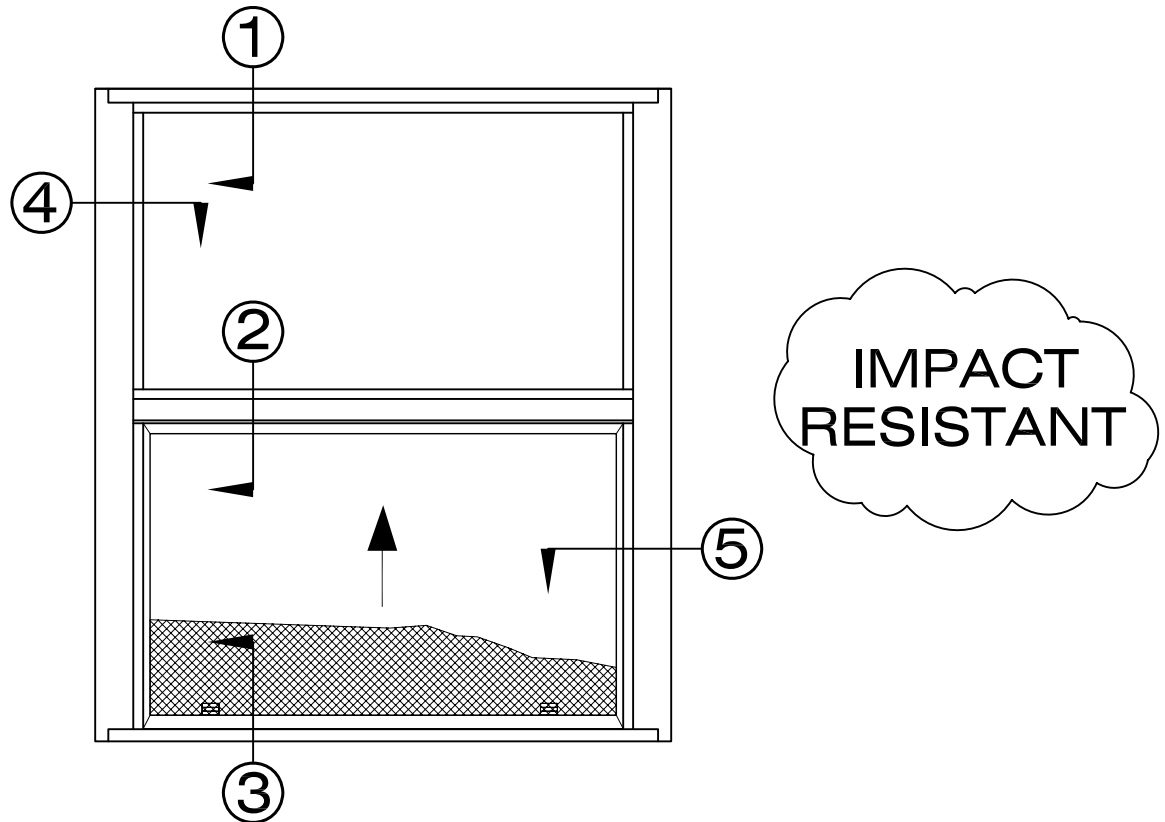


SEAL CRAFT

Architectural Window Systems

Model 4000-Impact H-C50

Exterior Elevation



Single Hung Window-Impact Resistant

Structural Test Pressure up to 75 psf

Water Infiltration Tested to 7.5 lbf/ft²

Air Infiltration Tested to be less than .03 ft³/(min*ft²)

Withstands wind velocity up to 139.8 mph at design pressure

Thermally Improved Frame & Sash

Maximum Size up to W-40" x H-72"

Minimum Size is W-18" x H-27"

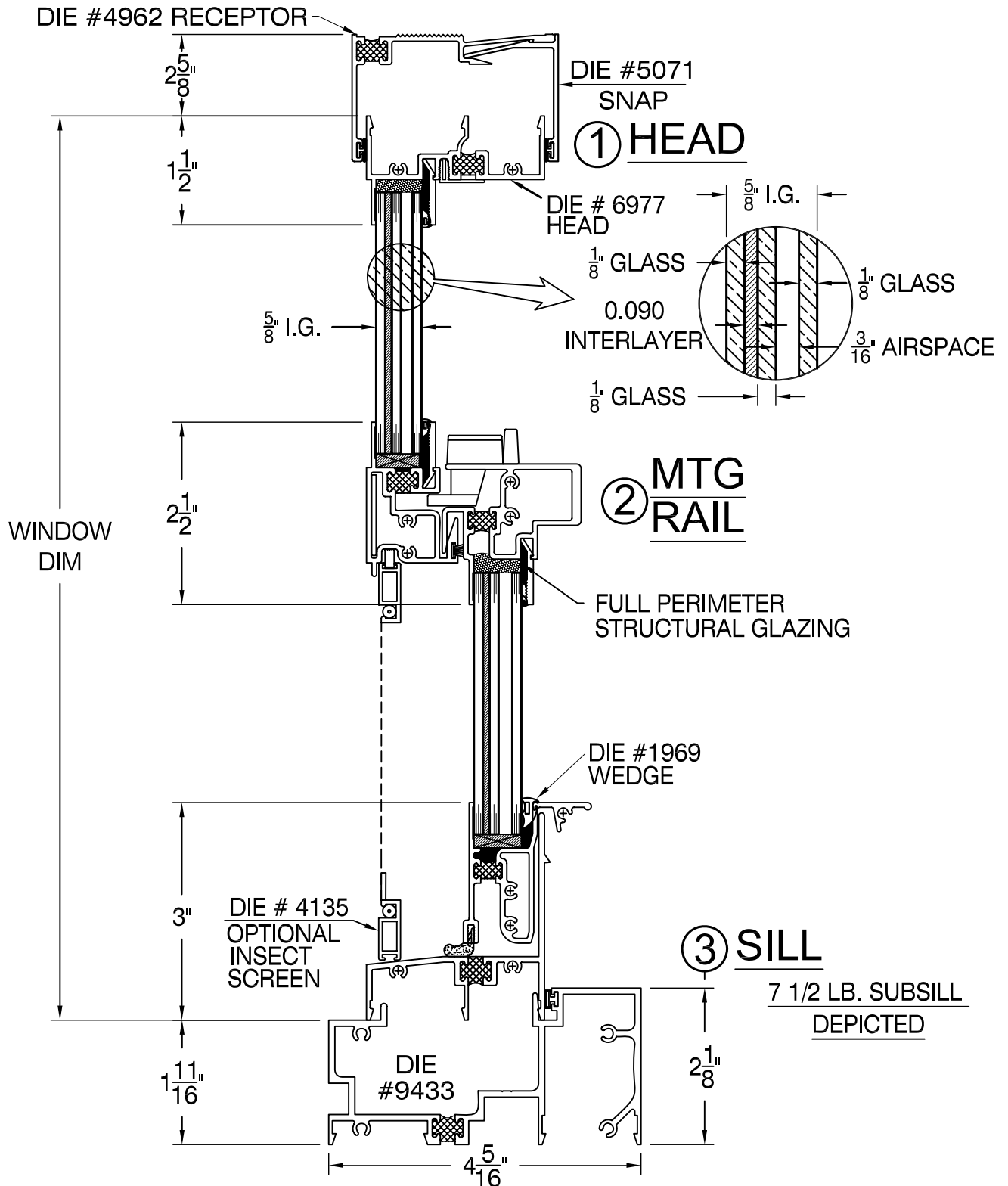
Block & Tackle Balance

Meets AAMA 506, ASTM E 1886, ASTM E 1996

SEAL CRAFT

Architectural Window Systems

Model 4000/IMPACT	H-C50	Vertical Section
-------------------	-------	------------------



HALF SCALE

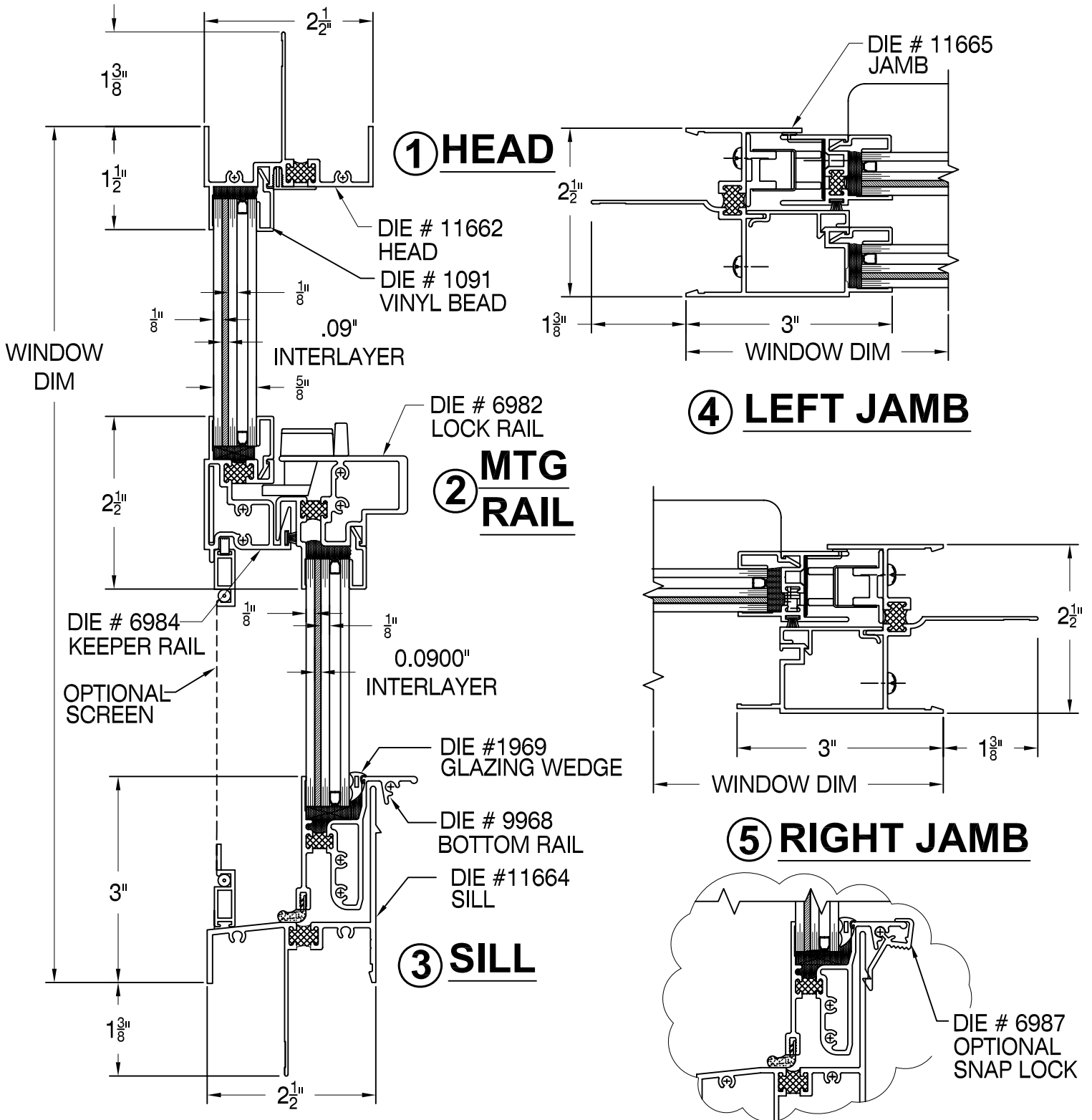
4000IM PAGE 2

SEAL CRAFT

Architectural Window Systems

Model 4000-Impact H-C50

Vertical Section/Jambs With Integral Nail Fin



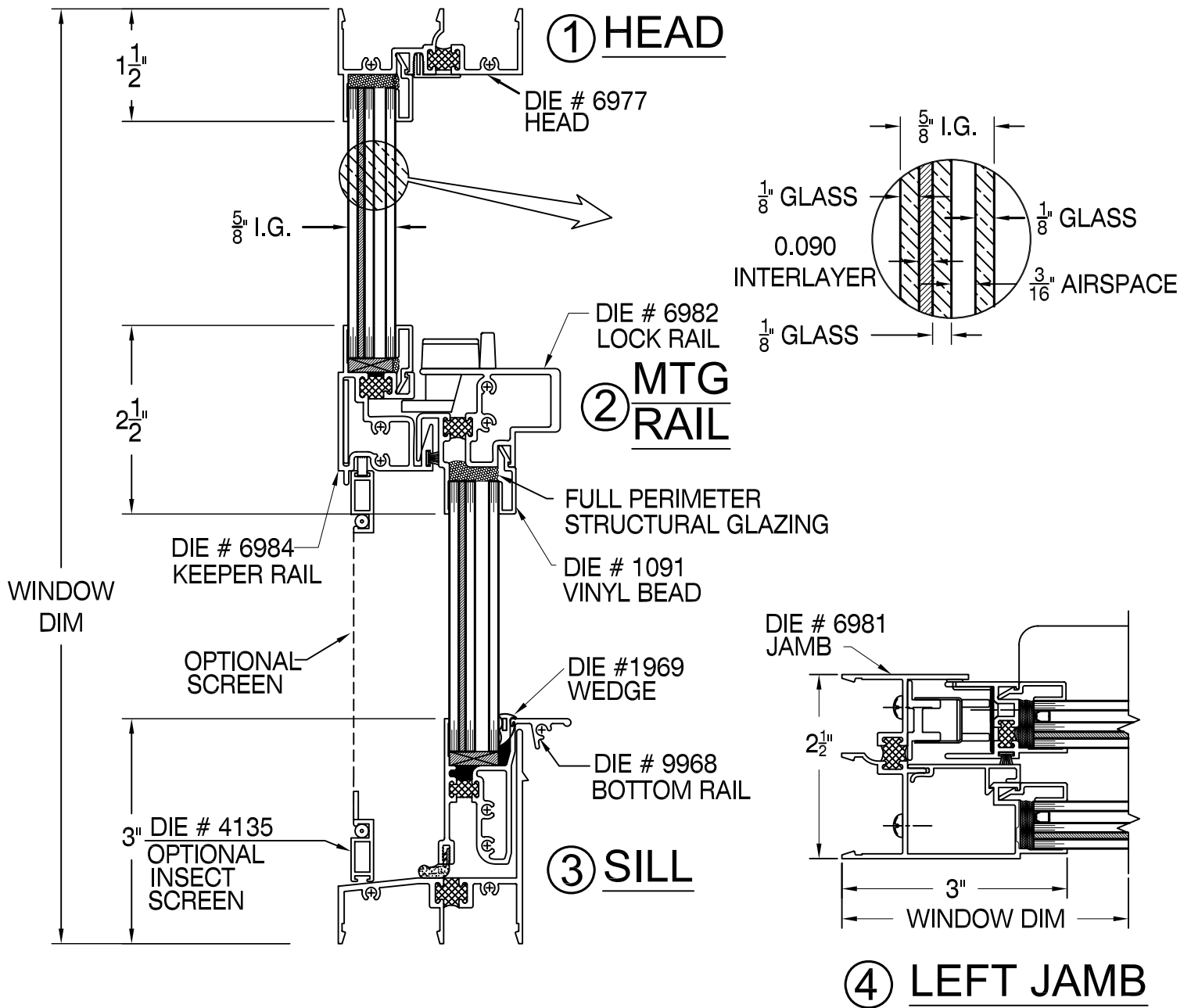
HALF SCALE

4000IM S-2.1

SEAL CRAFT

Architectural Window Systems

Model 4000/IMPACT	H-C50	Vertical Section
-------------------	-------	------------------



HALF SCALE

4000IM S-2.2