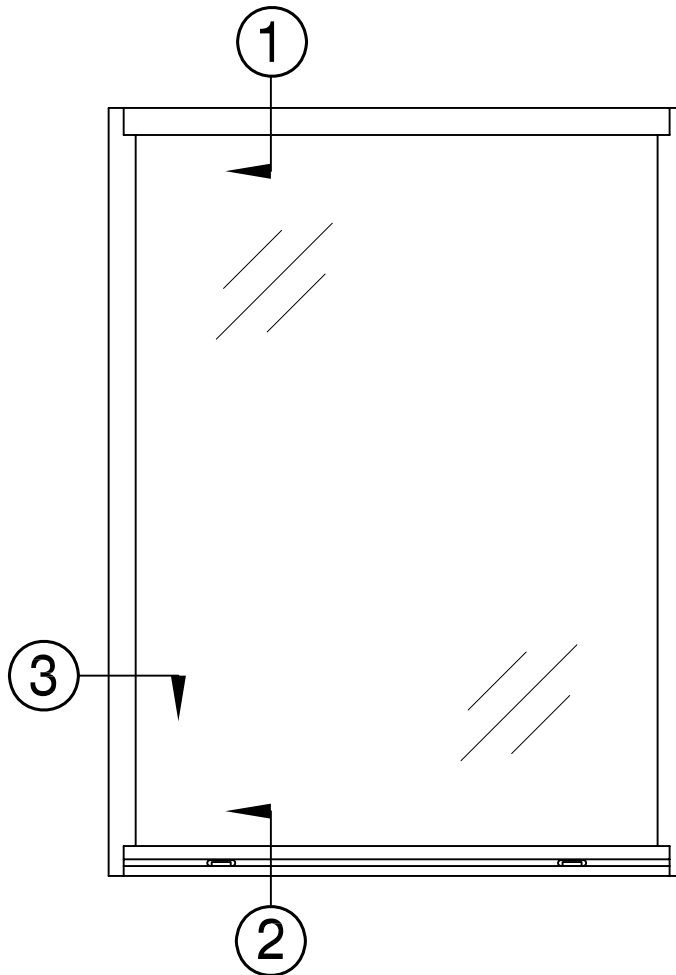


# SEAL CRAFT

Architectural Window Systems

Model 2200 AW-PG 90 FW

Exterior Elevation



Fixed Window

Structural Test Pressure up to 135 psf

Water Infiltration Tested to 12 lbf/ft<sup>2</sup>

Air Infiltration Tested to be .01 cfm/ft<sup>2</sup> @6.24 psf

Withstands wind velocity up to 187.5 mph at design pressure

Thermally Broken Frame

Maximum Size up to W-60" x H-99"

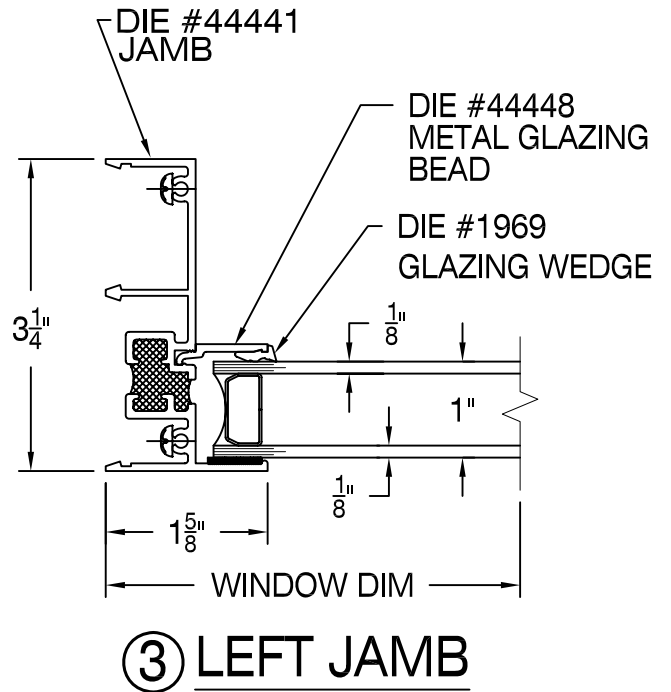
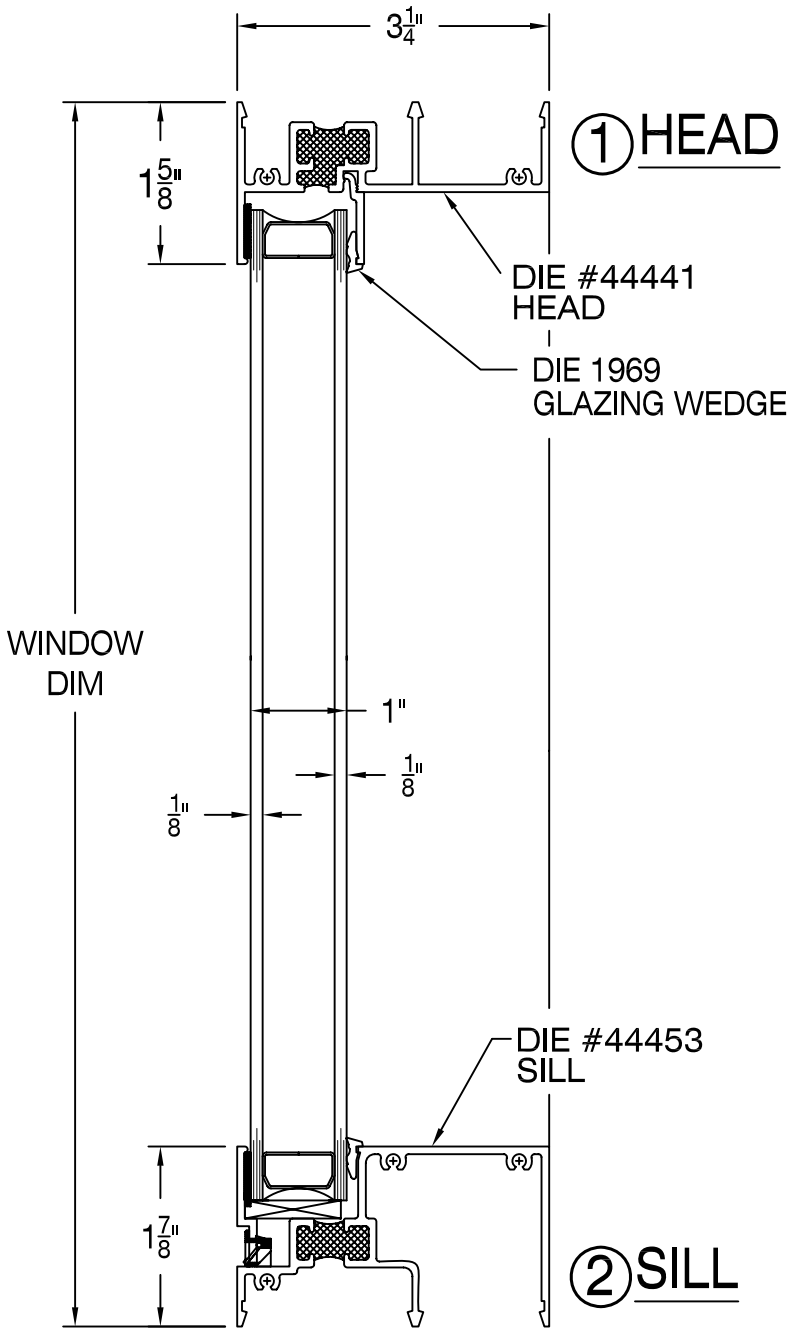
Minimum Size is W-18" x H-27"

# SEAL CRAFT

Architectural Window Systems

Model 2200 AW-PG 90 FW

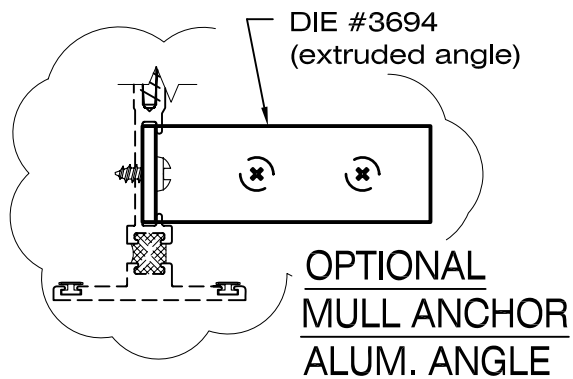
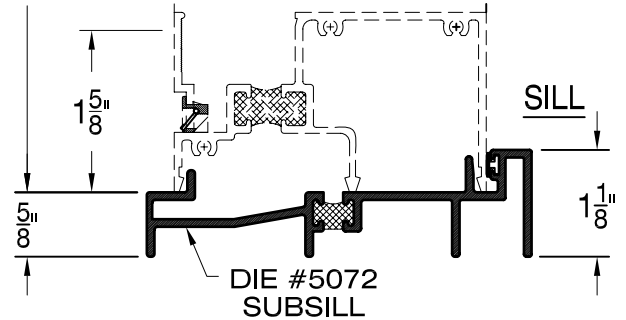
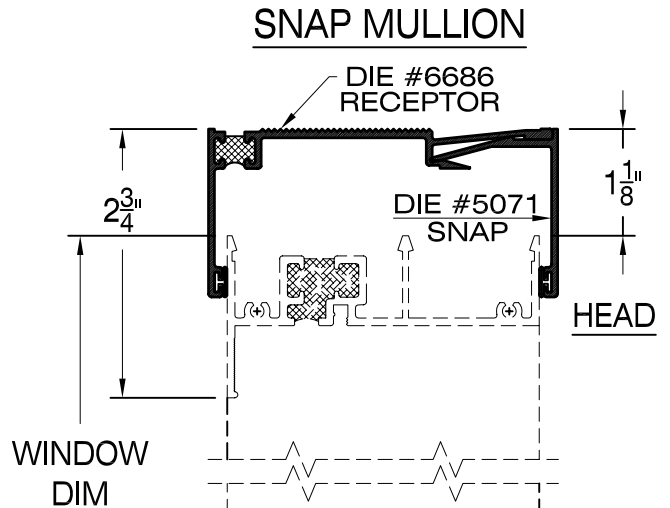
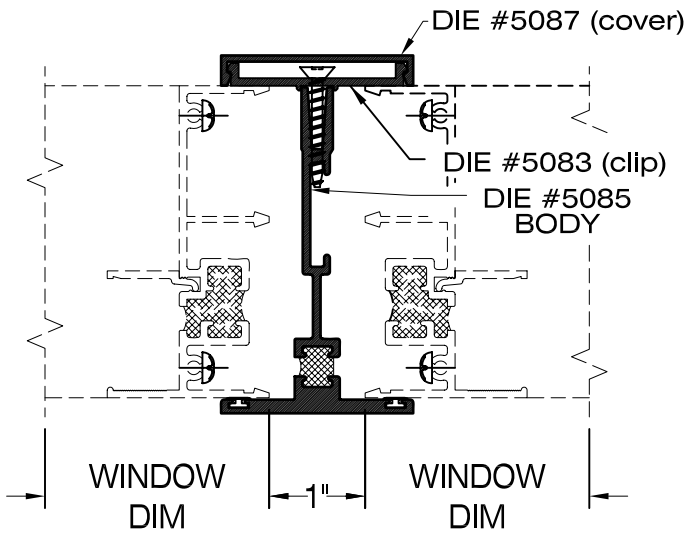
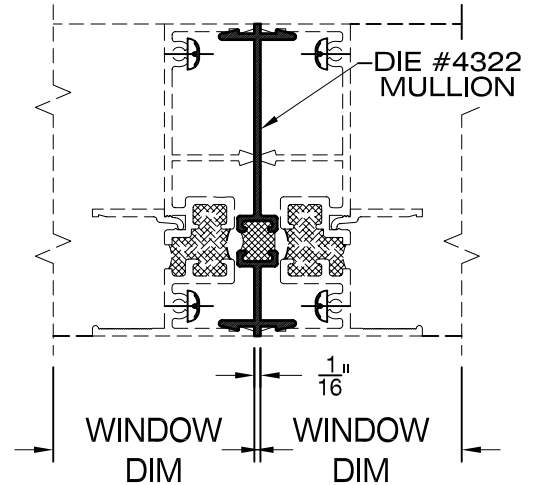
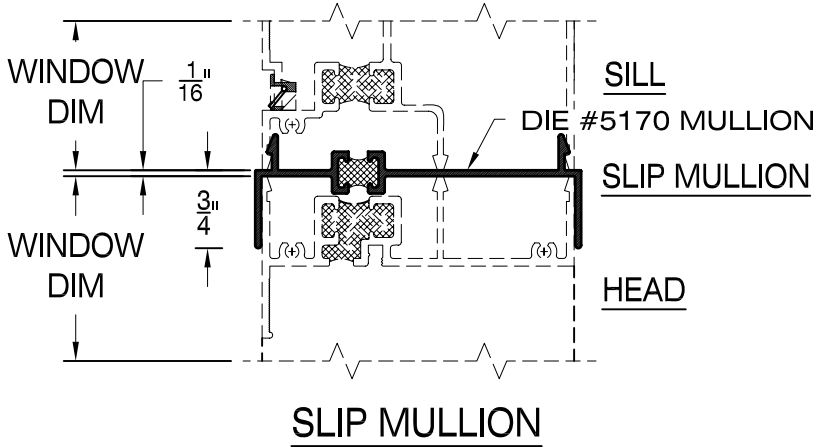
Sectional Views



# SEAL CRAFT

Architectural Window Systems

Model 2200 AW-PG 90 FW	Accessories
------------------------	-------------



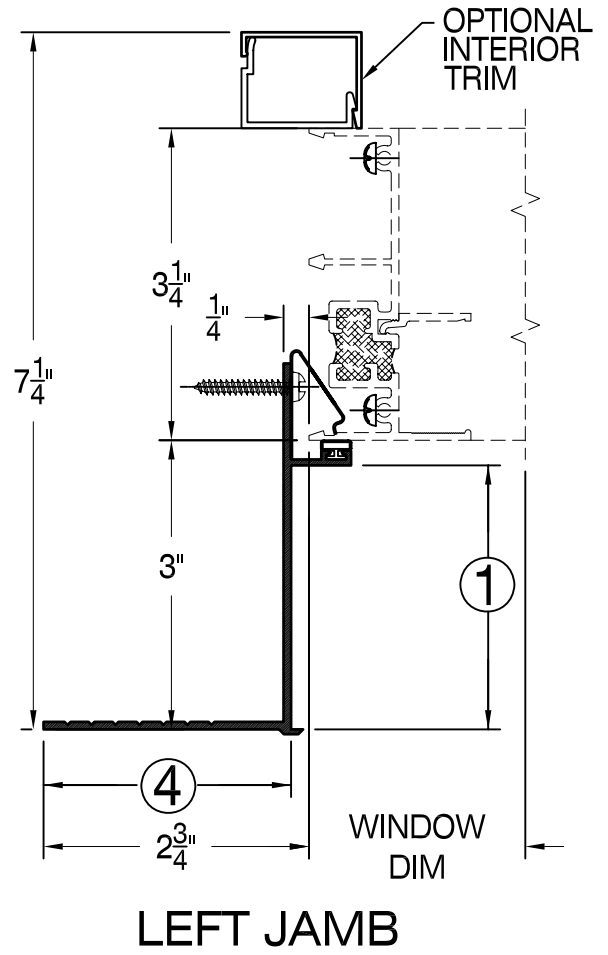
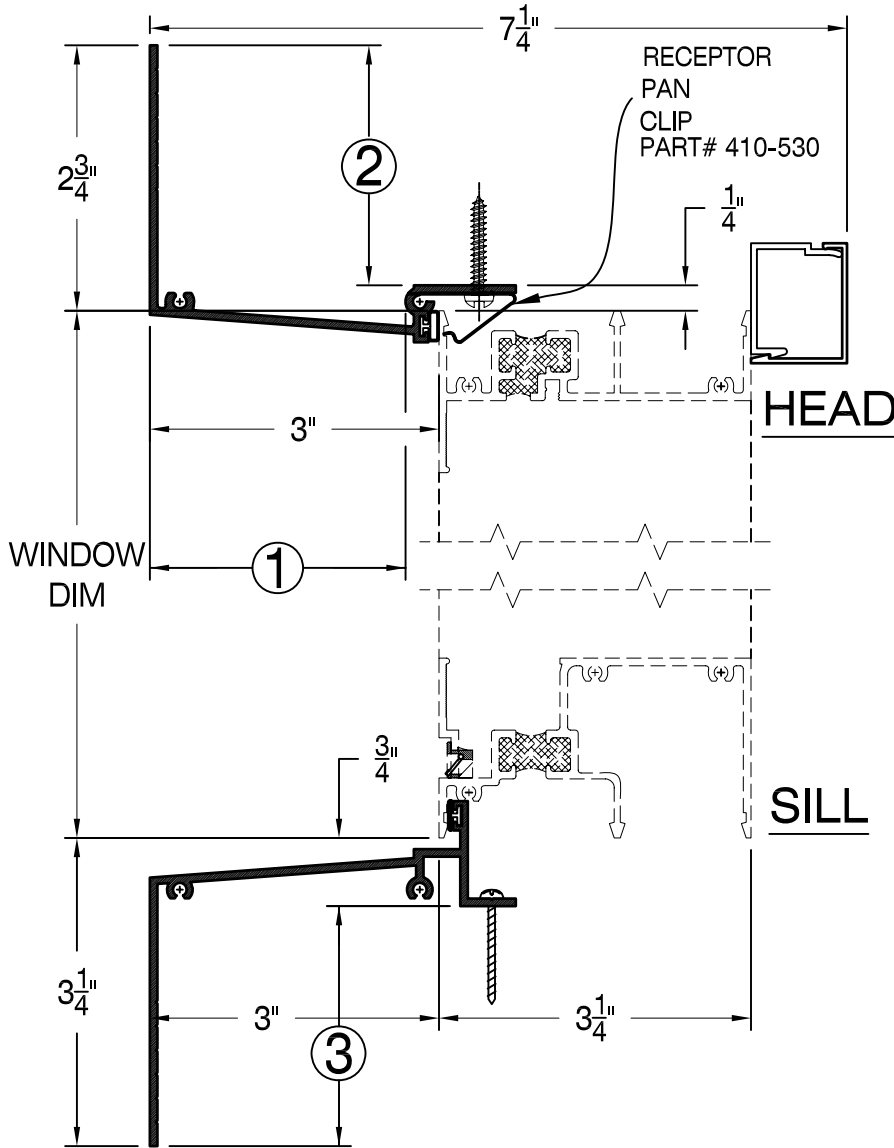
HALFSCALE

# SEAL CRAFT

## Architectural Window Systems

Model 2200 AW-PG 90 FW

RECEPTOR PAN "C"  
& INTERIOR TRIM



Panning Sizes				
Dimensions				
Type	①	②	③	④
A	1/4"	1 7/8"	2 1/2"	2"
B	1 3/4"	2 1/2"	2 1/2"	2 1/2"
C	2 3/4"	2 1/2"	2 1/2"	2 1/2"
D	4"	2 1/2"	3 1/2"	3 1/2"
E	3 3/4"	2 1/2"	3 1/2"	2 1/2"

Panning Die Numbers			
Type	Sill	Head	Jamb
A	9178	9177	9179
B	8513	8511	8512
C	4643	4642	4641
D	N/A	N/A	N/A
E	5821	5820	5819

# SEAL CRAFT

**Architectural Window Systems**

Model 2200 AW-PG 90 FW	Glazing Options
------------------------	-----------------

