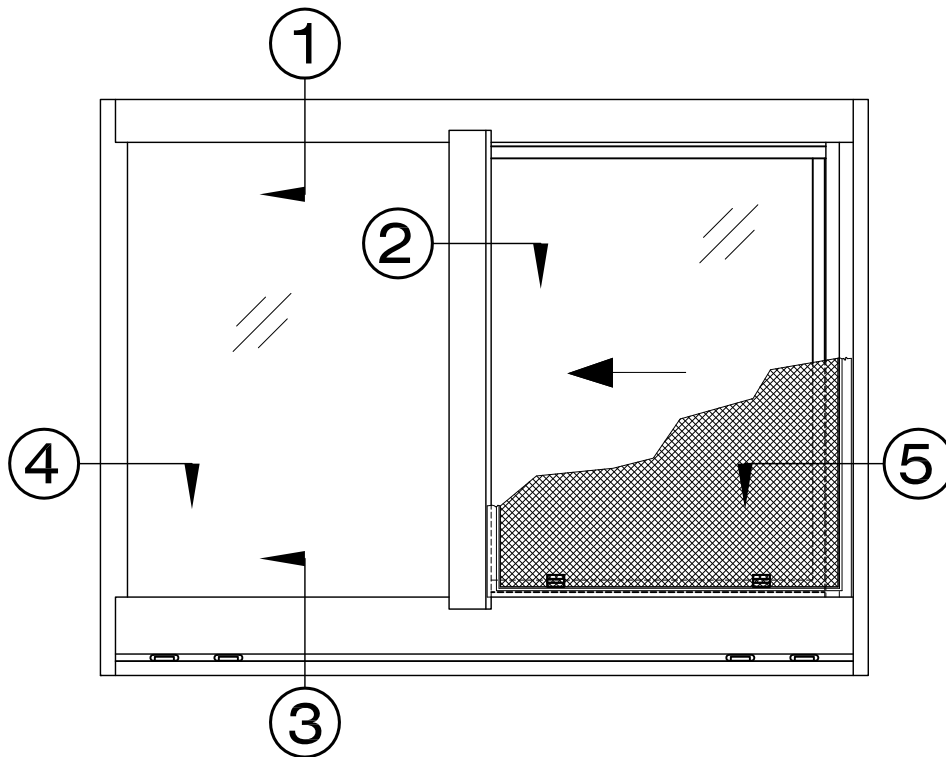


SEAL CRAFT

Architectural Window Systems

Model 2100 AW PG60-HS

Exterior Elevation



Horizontal Sliding Window

Structural Test Pressure up to 90 psf

Water Infiltration Tested to 12.0 lbf/ft.²

Air Infiltration Tested to be less than 0.17 cfm/ft.²

Withstands wind velocity up to 153.1 mph at design pressure

Thermally Improved Frame & Sash

Maximum Size up to W-99" x H-79"

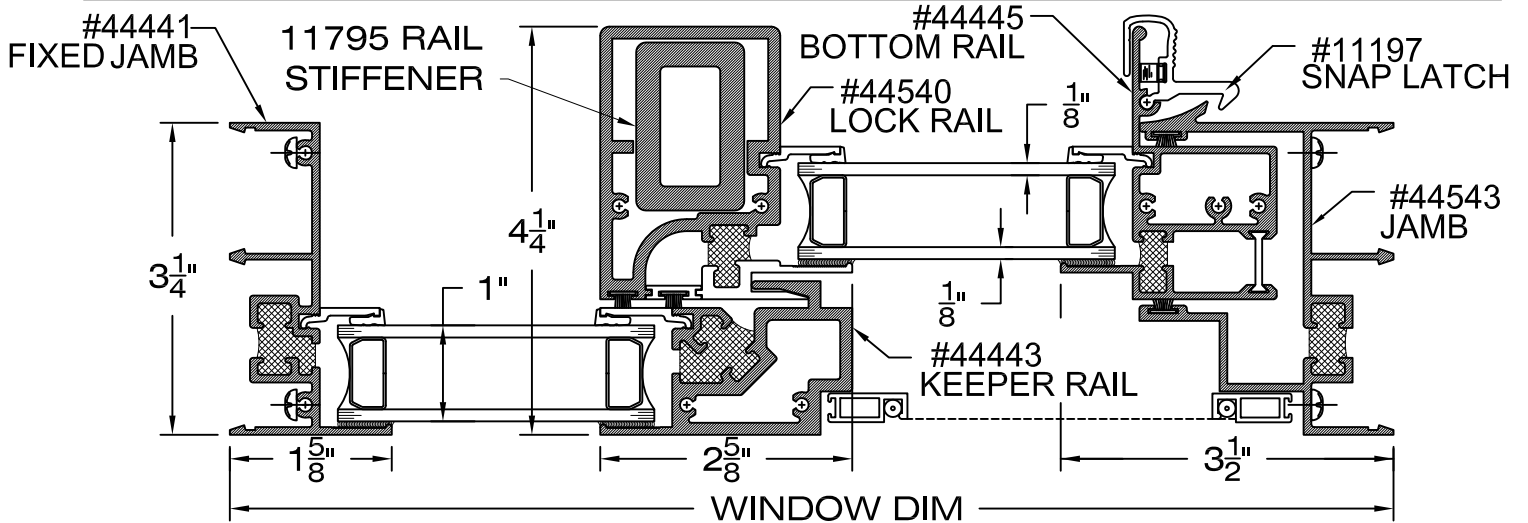
Minimum Size is W-36" x H-24"

SEAL CRAFT

Architectural Window Systems

Model 2100 AW PG60-HS

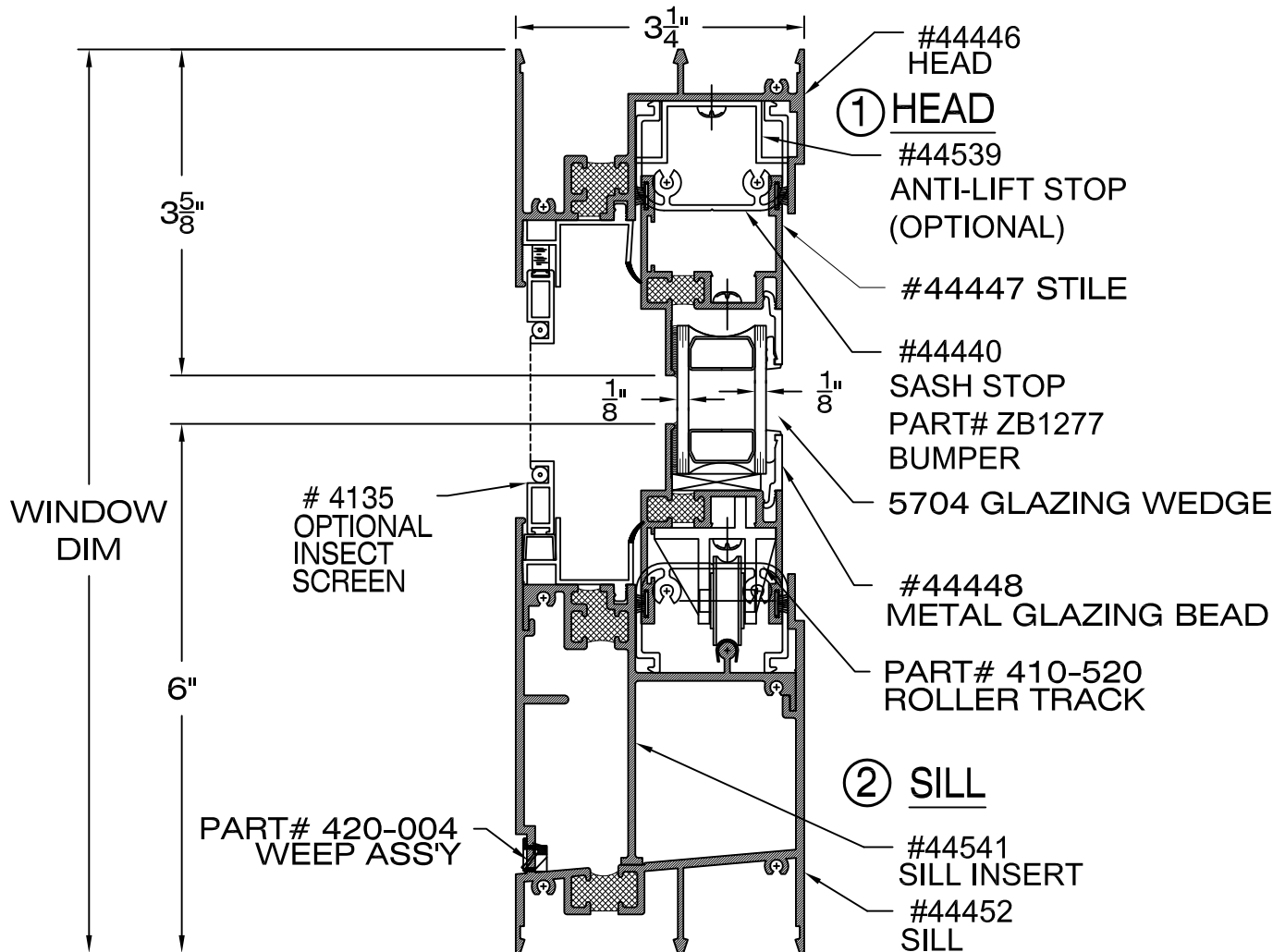
Head Jamb & Sill



③ LEFT JAMB

⑤ MTG. RAIL

④ RIGHT JAMB



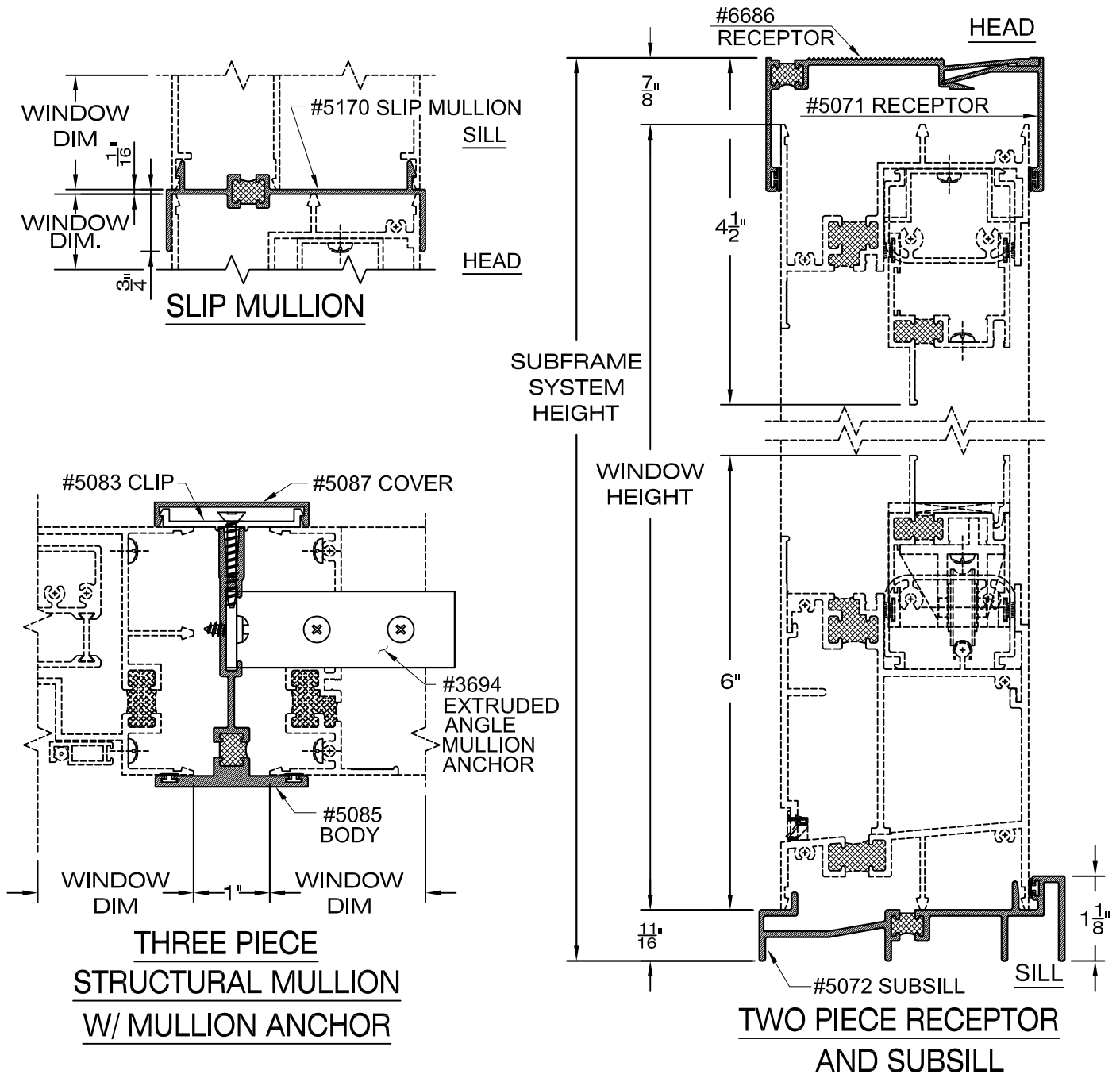
HALFSCALE

SEAL CRAFT

Architectural Window Systems

Model 2100 HS

Accessories

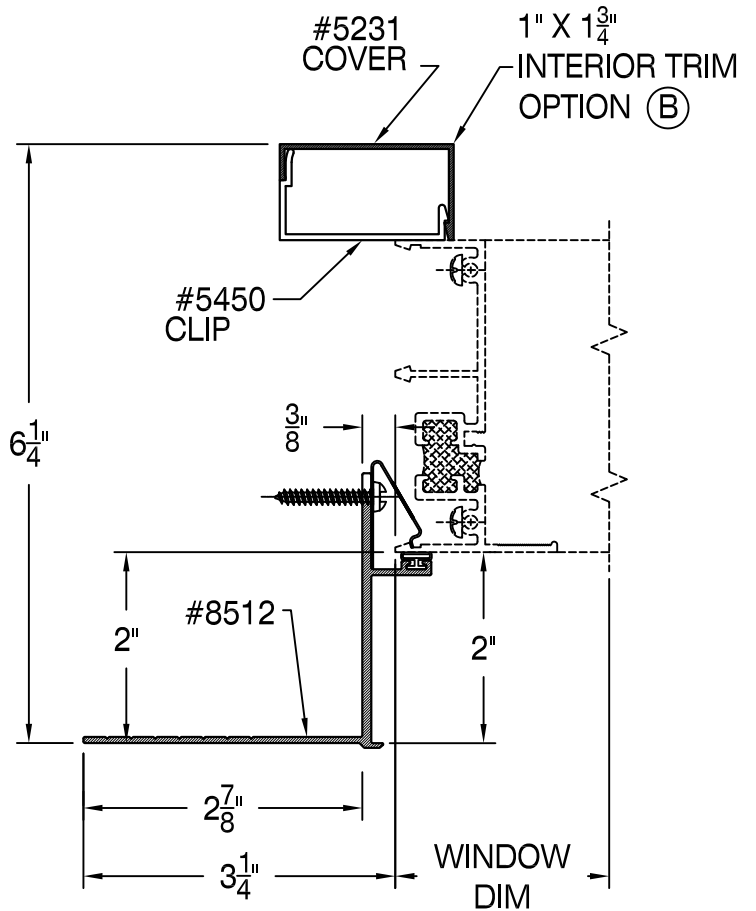
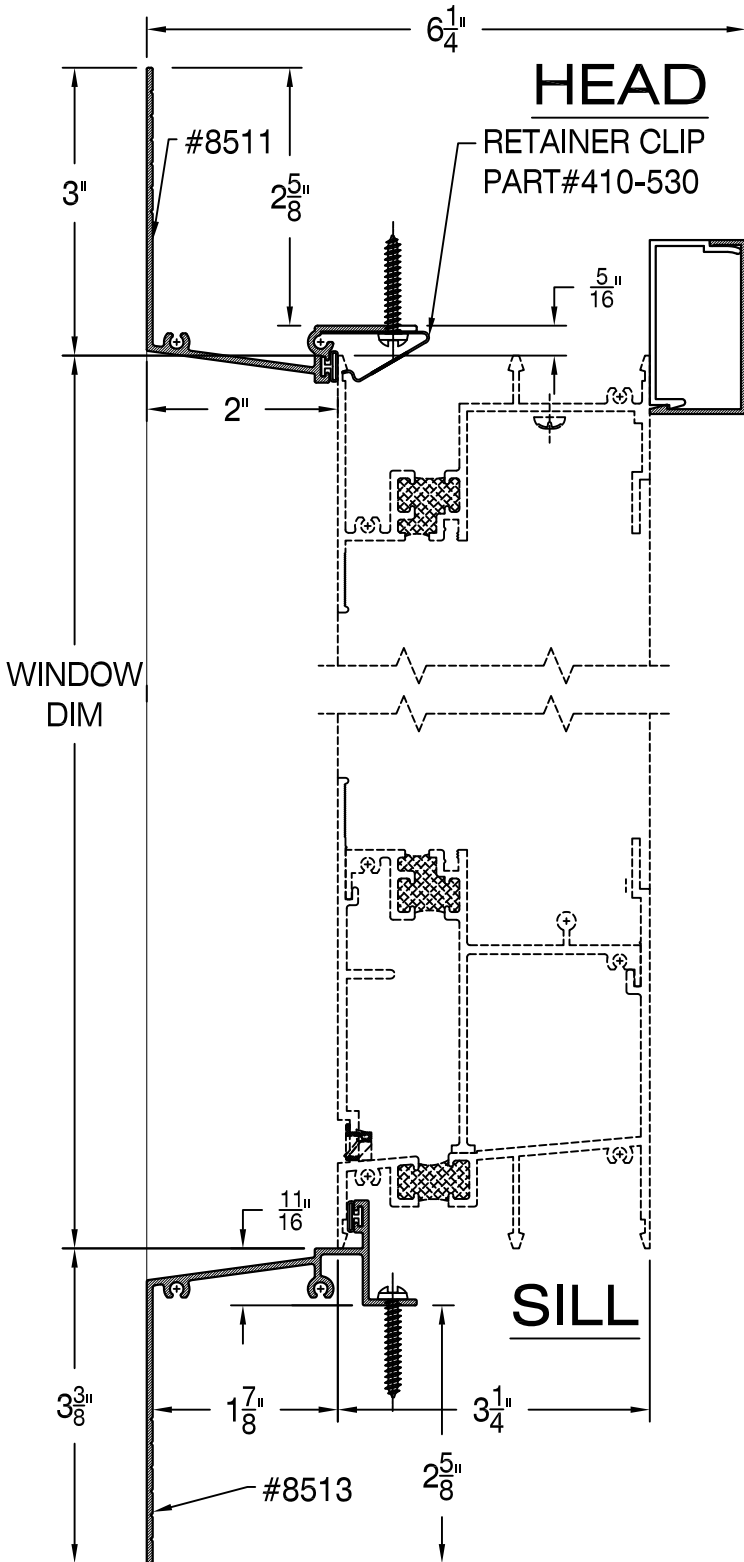


SEAL CRAFT

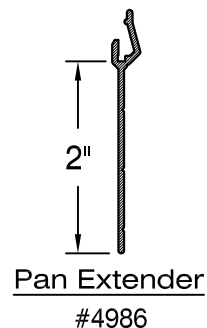
Architectural Window Systems

Model 2100 HS

EXTERIOR PAN "B"
& INTERIOR TRIM "B"



LEFT JAMB



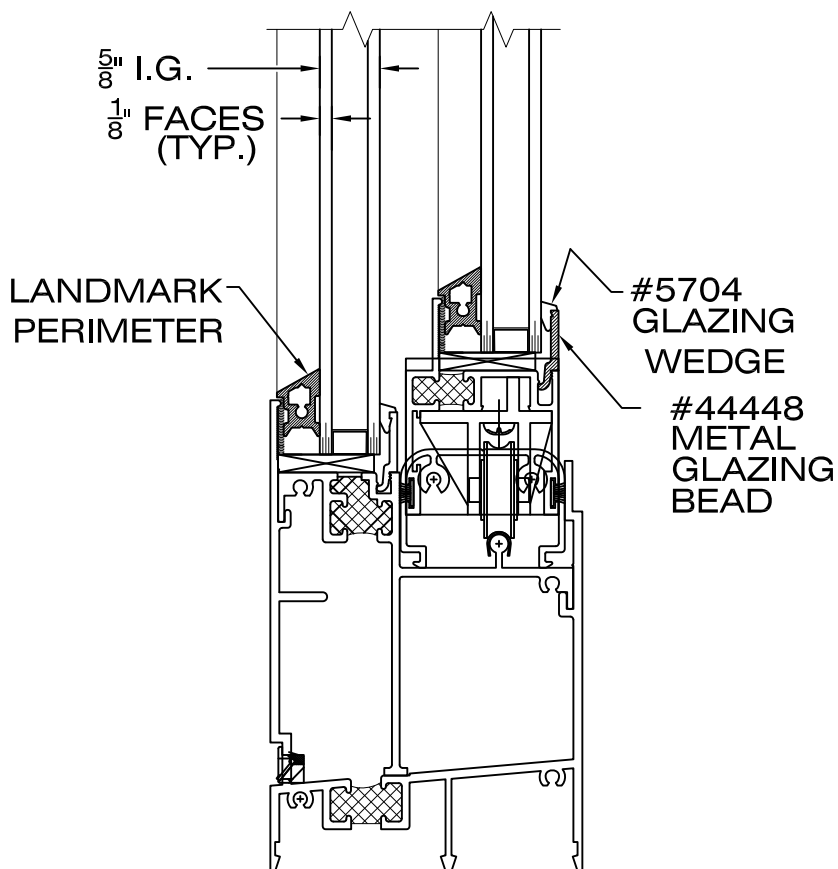
HALFSCALE

SEAL CRAFT

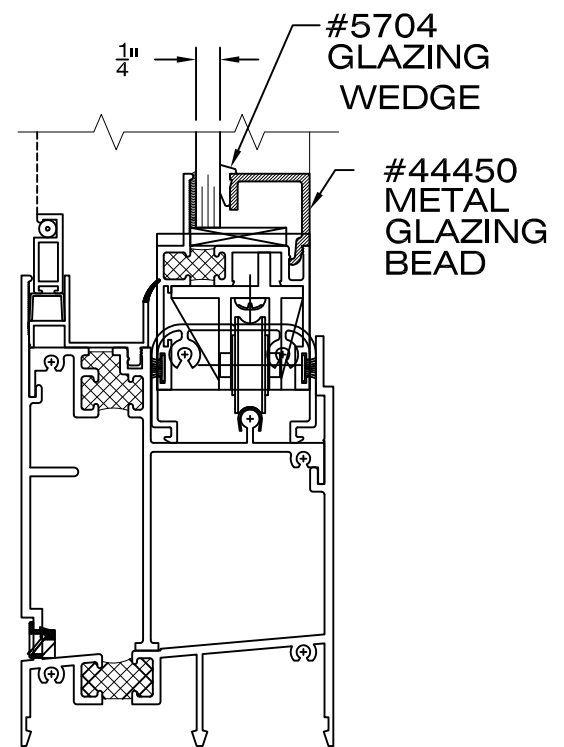
Architectural Window Systems

Model 2100 HS

Glazing Options



5/8" Insulated Glazing
W/ Landmark Grid



1/4" Monolithic
Glazing