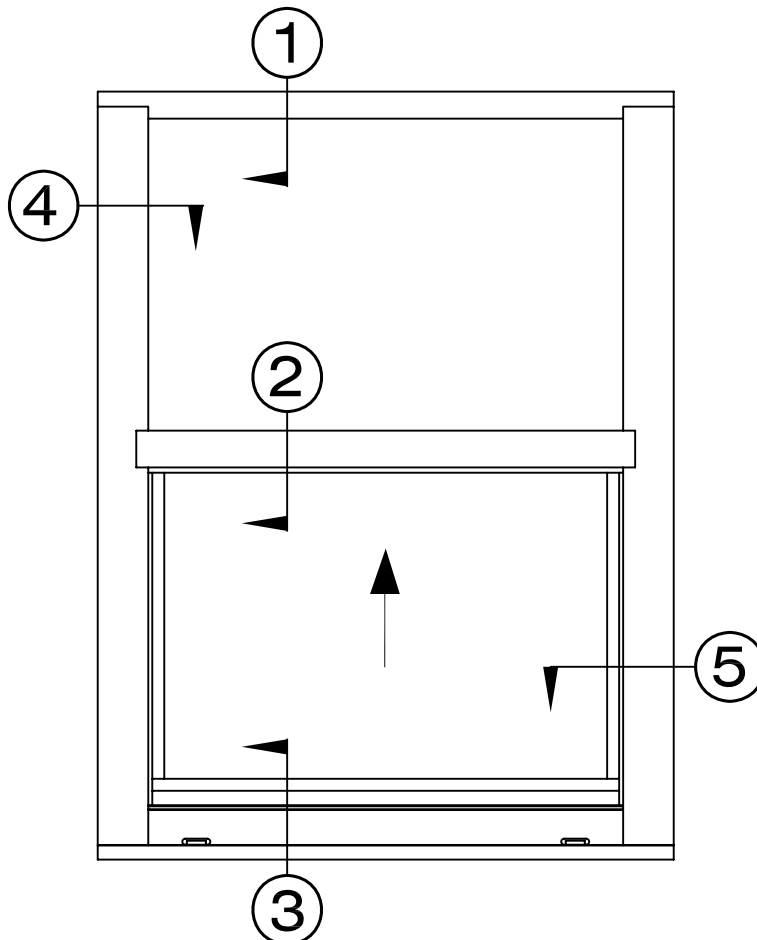


SEAL CRAFT

Architectural Window Systems

Model 2000 BR

Exterior Elevation



Blast Resistant

6 P.S.I. GSA Level II Window

Single Hung Window

Thermally Improved Frame & Sash

Maximum Size is W-60" X H-96"

Minimum Size is W-18" X H-27"

Block & Tackle Balance

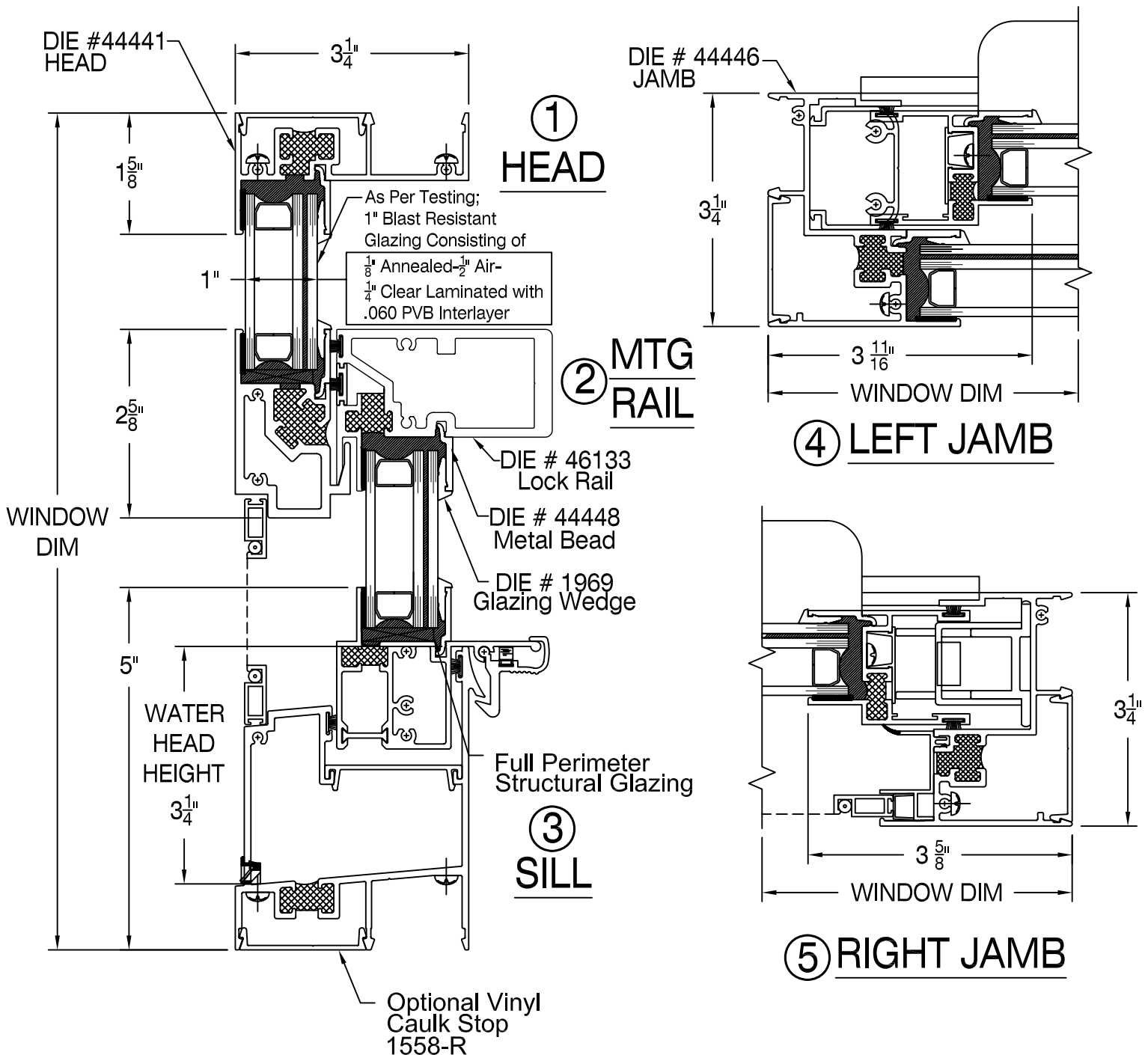
SEAL CRAFT

Architectural Window Systems

Model 2000 SH BR

Vertical Section/Jambs

Blast Resistant Glazing - 6 P.S.I. GSA LEVEL II



HALF SCALE

2000 BR - Page 2

SEAL CRAFT

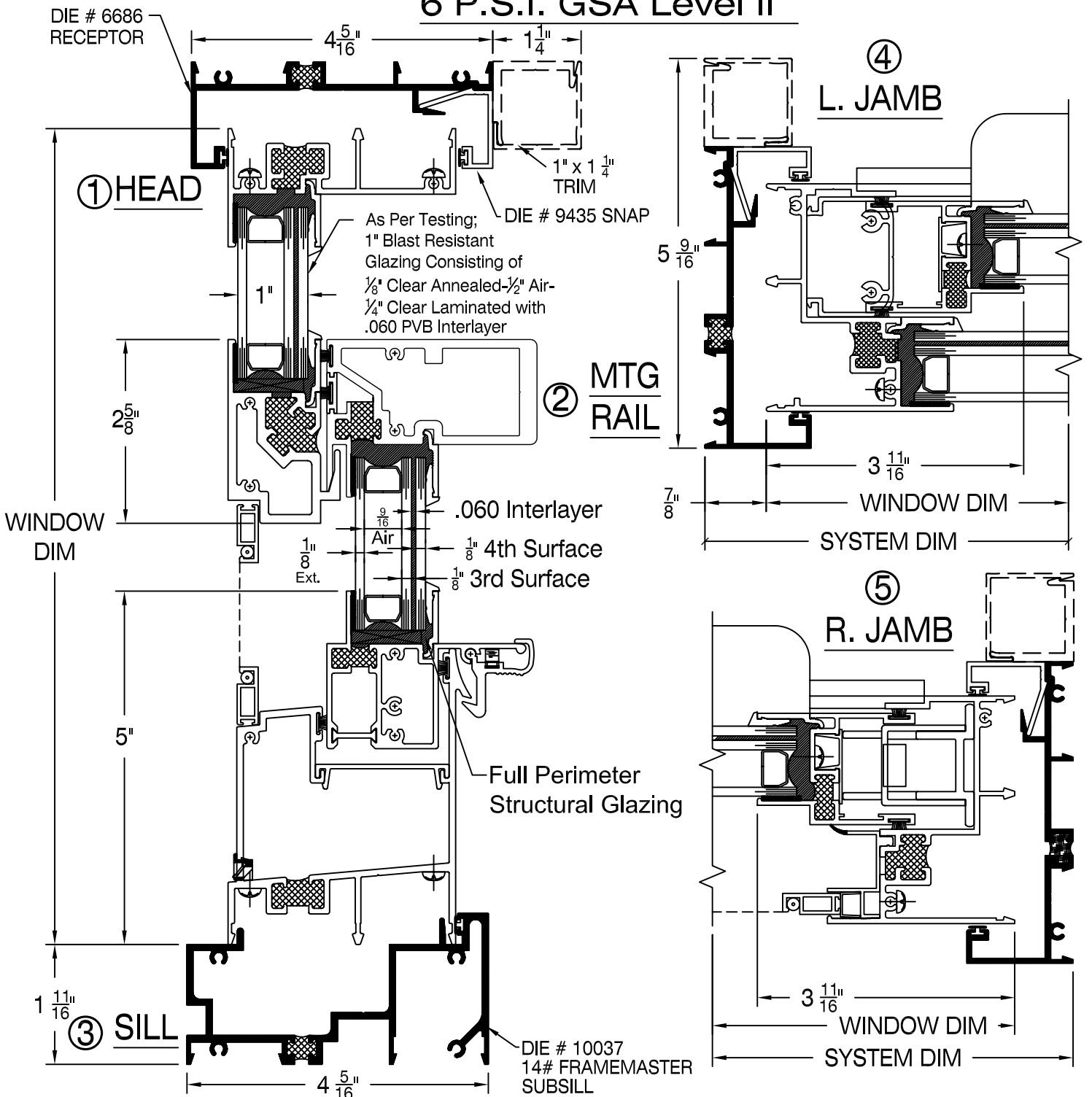
Architectural Window Systems

Model 2000 BR

Vertical Section/Jambs

Blast Resistant Glazing in a Framemaster

6 P.S.I. GSA Level II



HALF SCALE