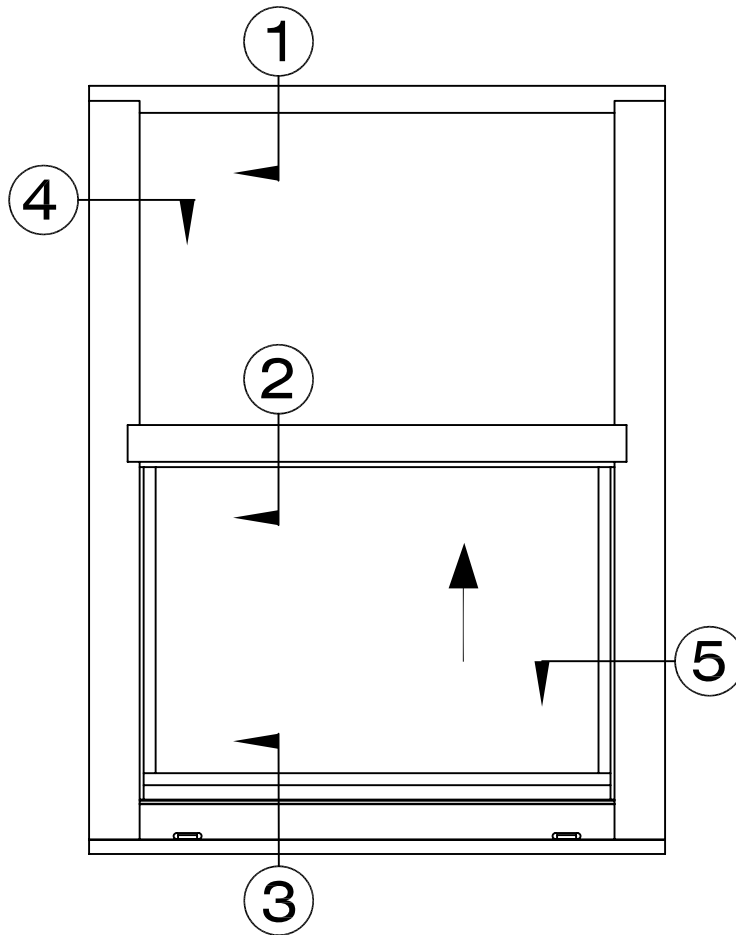


# SEAL CRAFT

## Architectural Window Systems

Model 2000 IM H-HC70

Exterior Elevation



Single Hung Window

Structural Test Pressure up to 105 psf

Water Infiltration Tested to 10.5 lbf/ft<sup>2</sup>

Air Infiltration Tested to be less than 0.17 ft<sup>3</sup>(min\*/ft.<sup>2</sup>)

Withstands wind velocity up to 165.4 mph at design pressure

Thermally Improved Frame & Sash

Maximum Size is W-60" X H-99"

Minimum Size is W-18" X H-27"

Block & Tackle Balance

SCALE: 1" = 1'

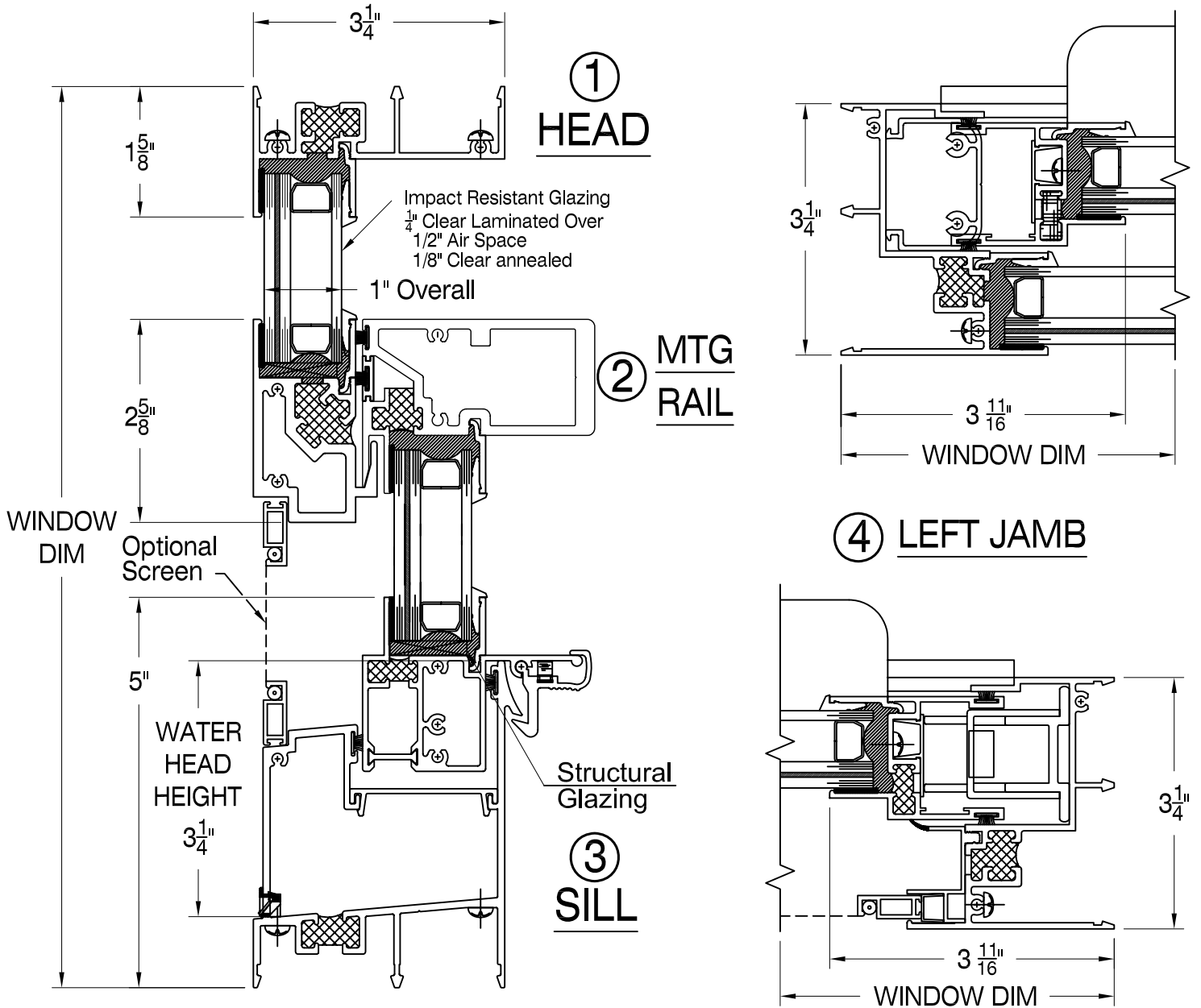
2000 - Page 1

# SEAL CRAFT

## Architectural Window Systems

Model 2000 IM H-HC70 Vertical Section/Jambs

### Impact Resistant Glazing



HALF SCALE