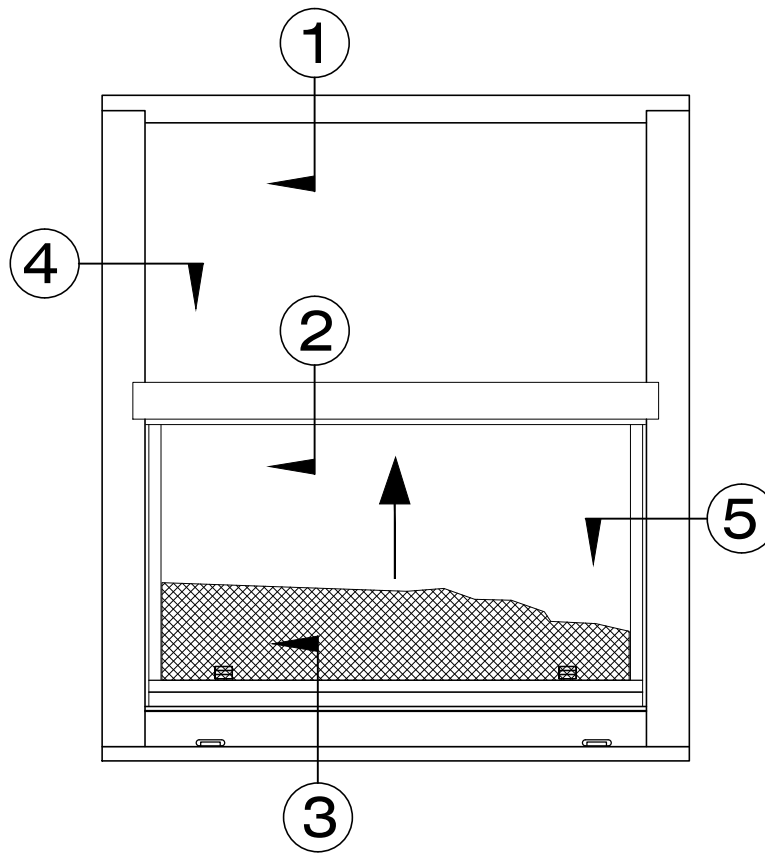


SEAL CRAFT

Architectural Window Systems

Model 2000 AW-PG70

Exterior Elevation



Single Hung Window:

Structural Test Pressure up to 105.0 psf

Water Infiltration Tested to 12.0 lbf/ft.²

Air Infiltration Tested to be less than 0.06 cfm/ft.²

Withstands wind velocity up to 165.4 mph at design pressure

Thermally Broken Frame & Sash

Maximum Size up to W-60" x H-99"

Minimum Size is W-18" x H-27"

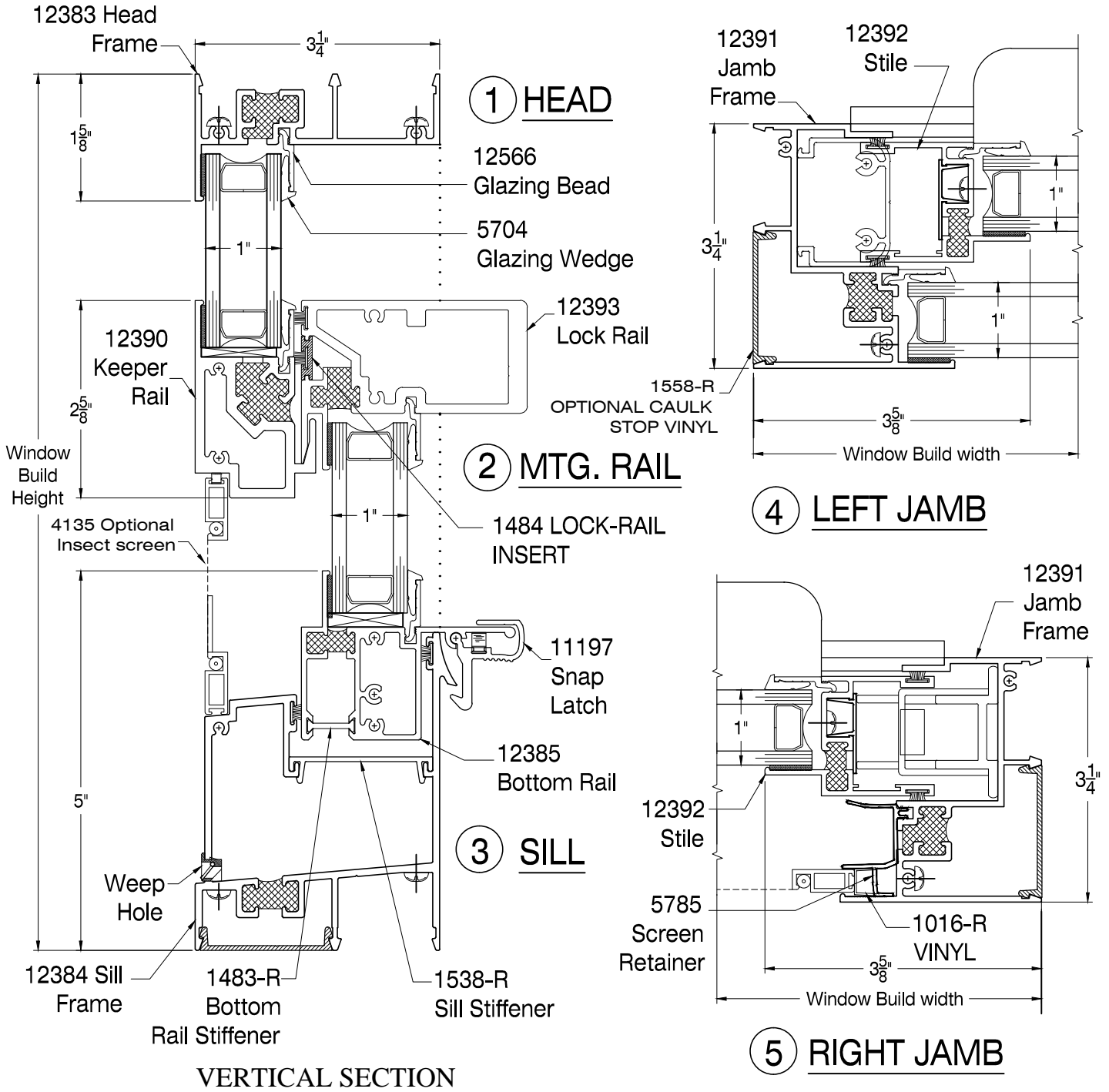
Block & Tackle Balance

SEAL CRAFT

Architectural Window Systems

Model 2000 AW-PG70

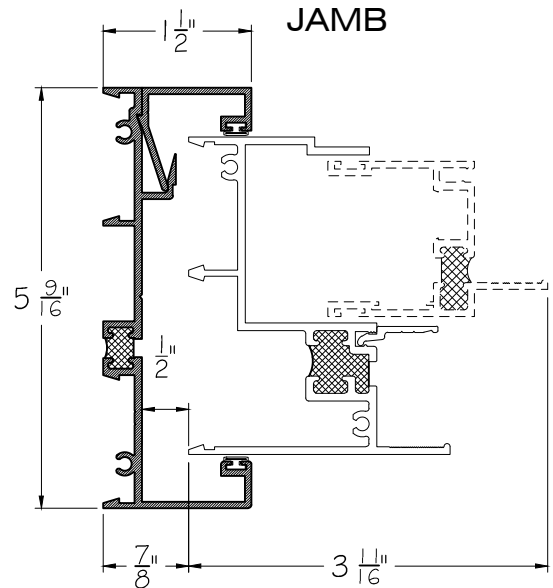
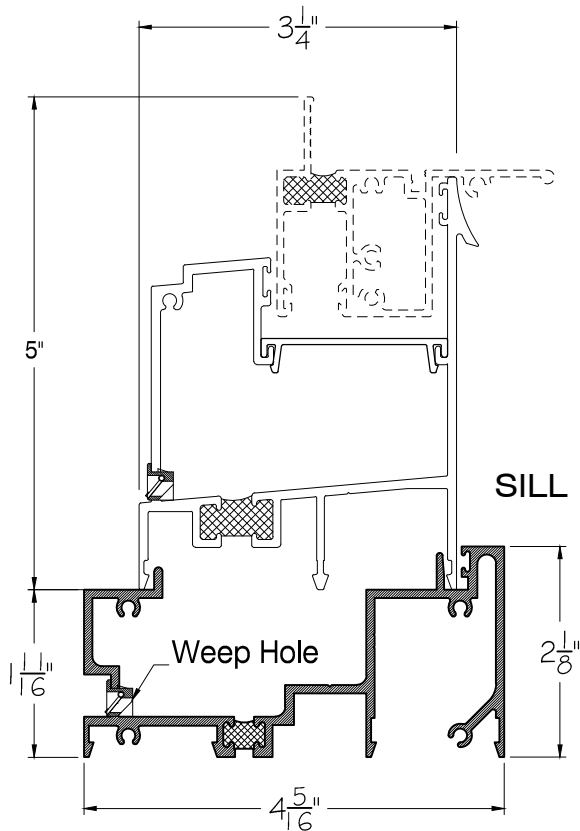
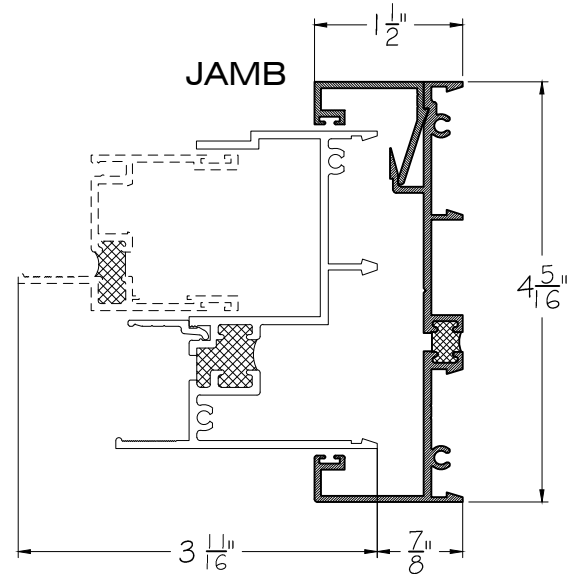
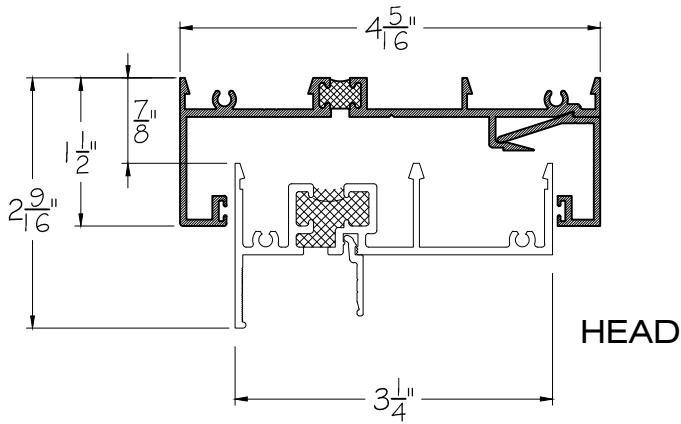
Section Details



SEAL CRAFT

Architectural Window Systems

3 1/4" FRAMEMASTER SUBFRAME SYSTEM



7.5# Framemaster Subsill