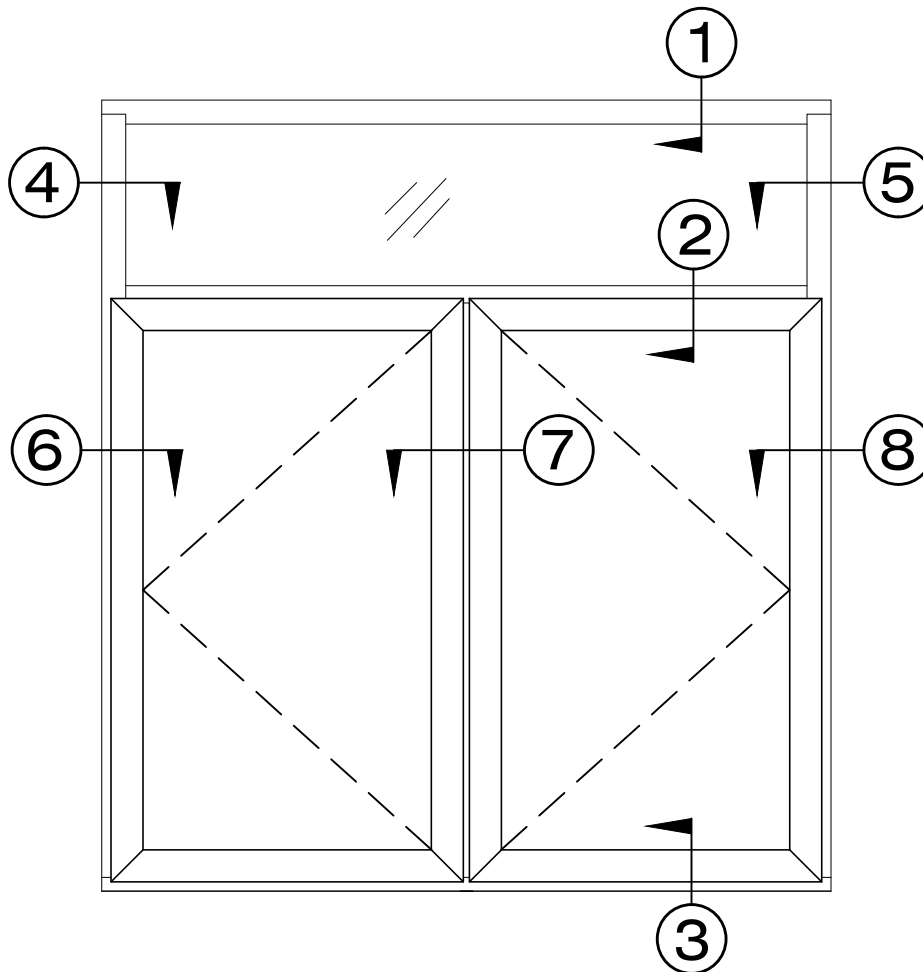


SEAL CRAFT

Architectural Window Systems

Model 1108-COS

Exterior Elevation



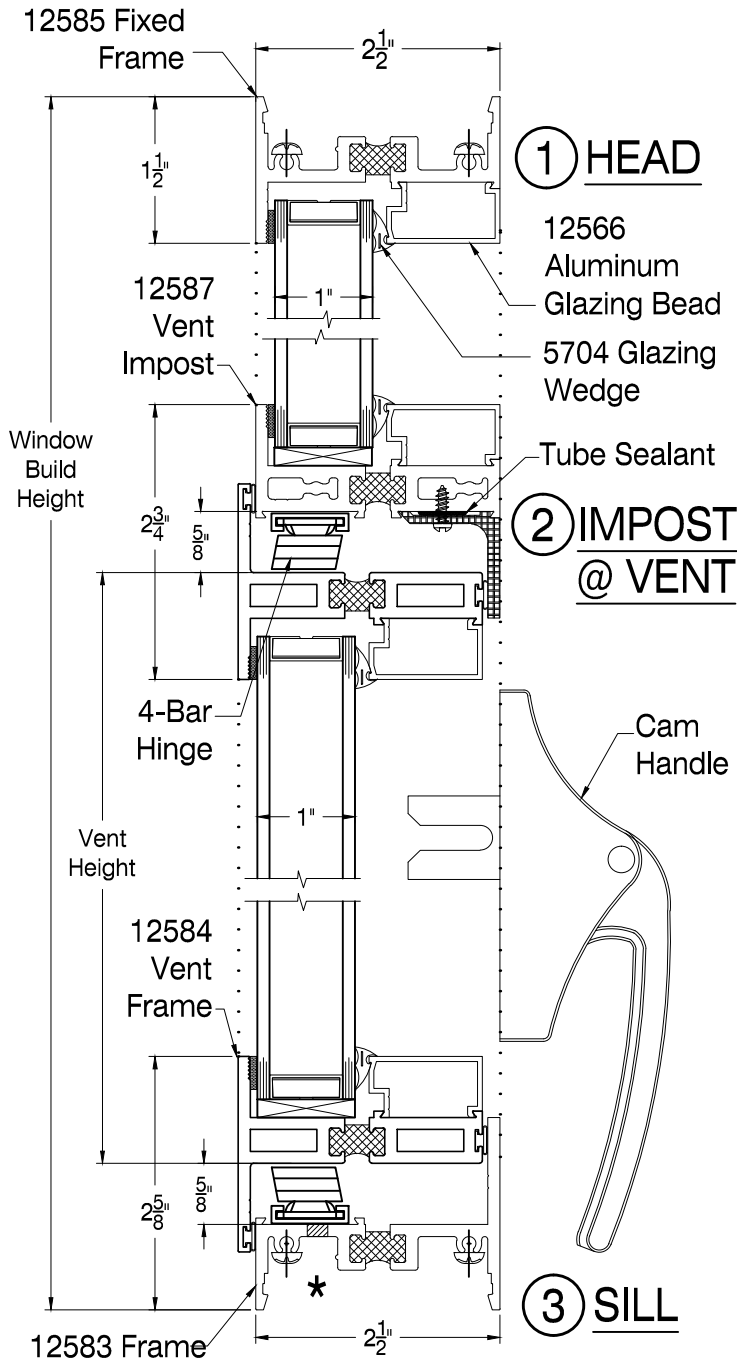
Model 1108
Transom Twin Casement
Out Swing (Post remains)

SEAL CRAFT

Architectural Window Systems

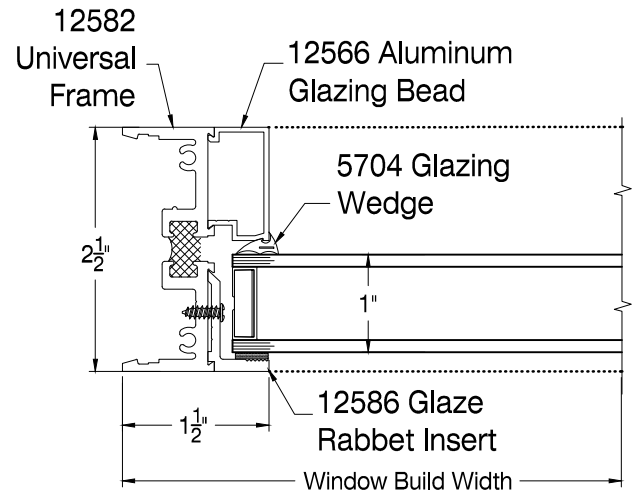
Model 1108-COS

Section Details



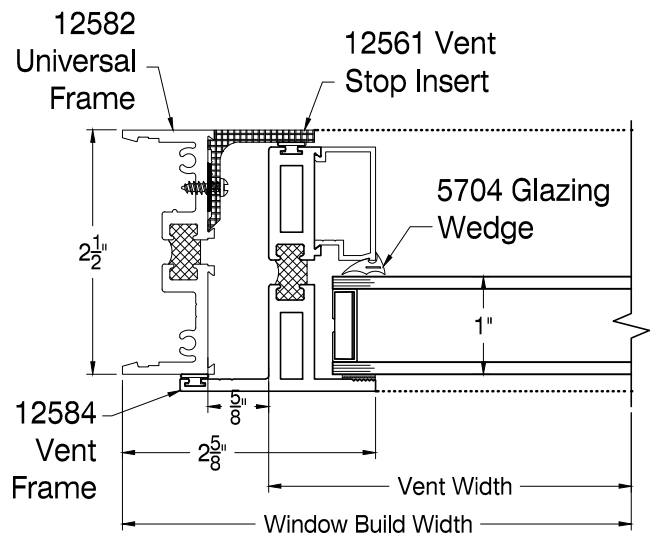
VERTICAL SECTION

* Weep Holes if Subsill



4 LEFT JAMB

5 RIGHT JAMB (Opp.)



6 LEFT JAMB

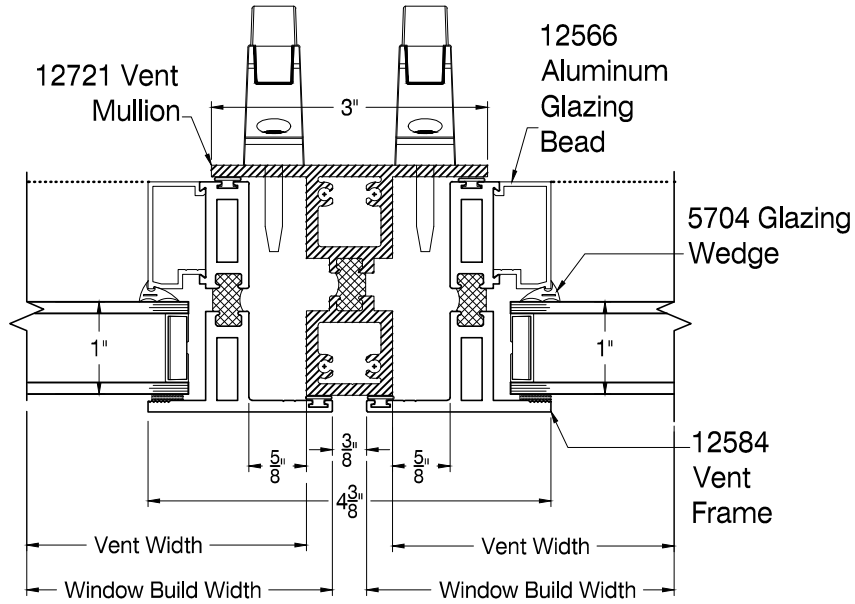
8 RIGHT JAMB (Opp.)

SEAL CRAFT

Architectural Window Systems

Model 1108-COS

Section Details



⑦ IMPOST @ VENT MULL