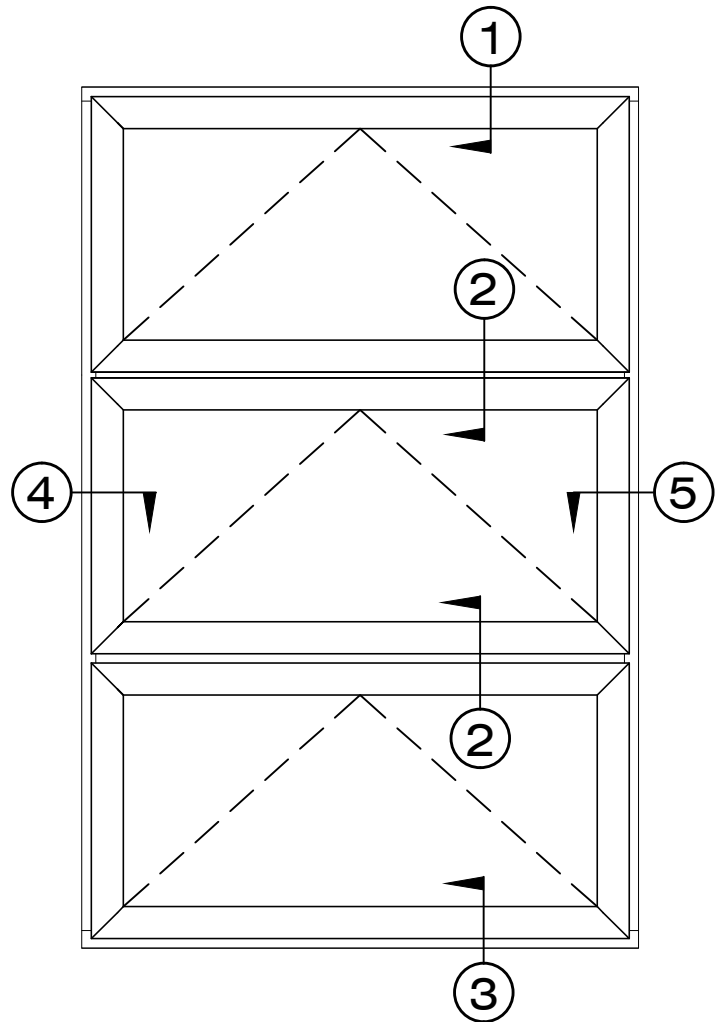
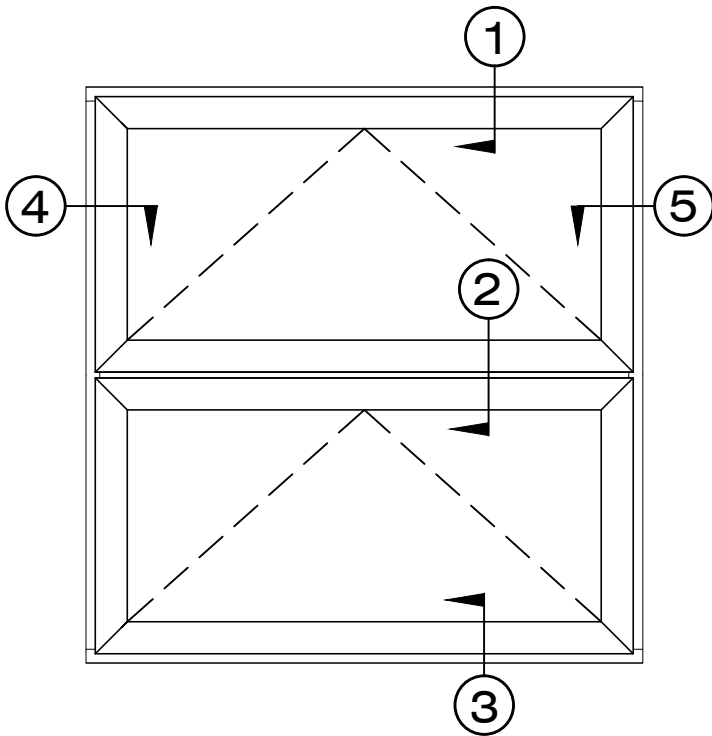


SEAL CRAFT

Architectural Window Systems

Model 1014 - PO

Exterior Elevation



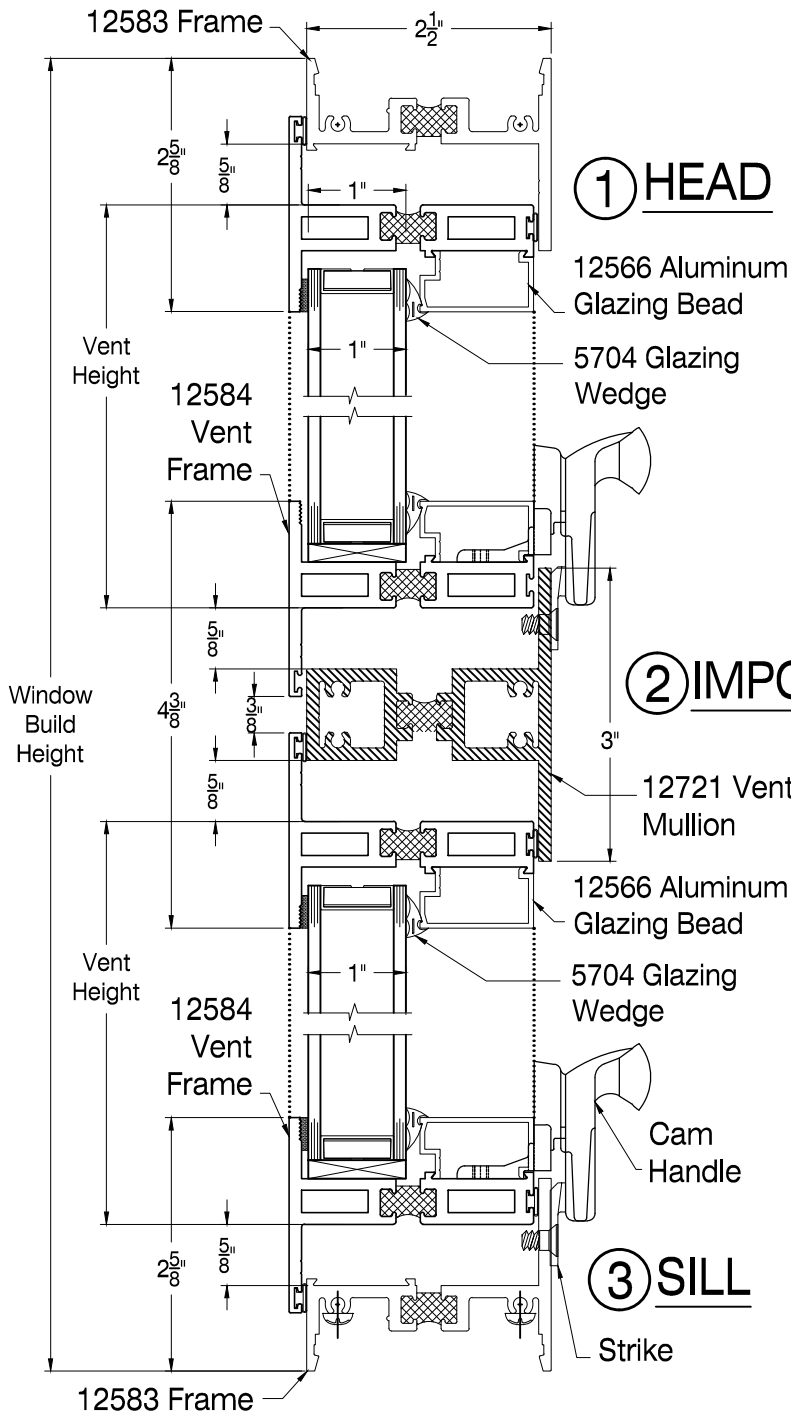
Model 1014 - PO
Project-out Vent over Vent.

SEAL CRAFT

Architectural Window Systems

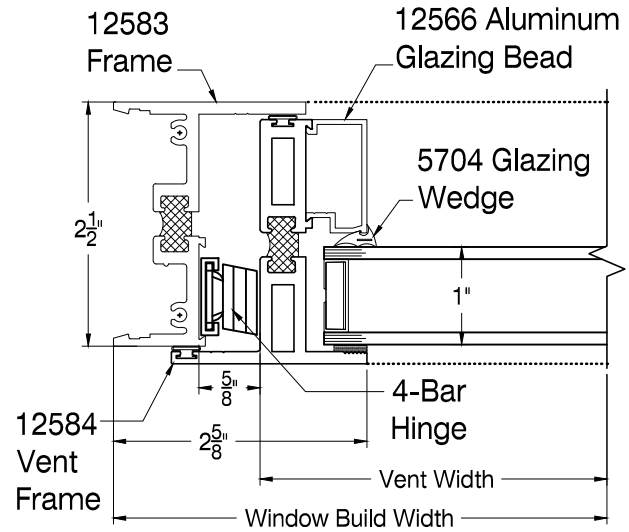
Model 1014 -PO

Section Details

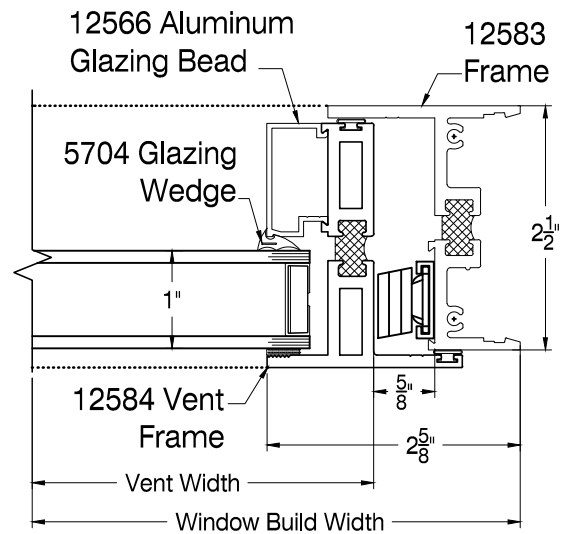


VERTICAL SECTION
@ 1014 - PO

HALF SCALE



4 LEFT JAMB



5 RIGHT JAMB