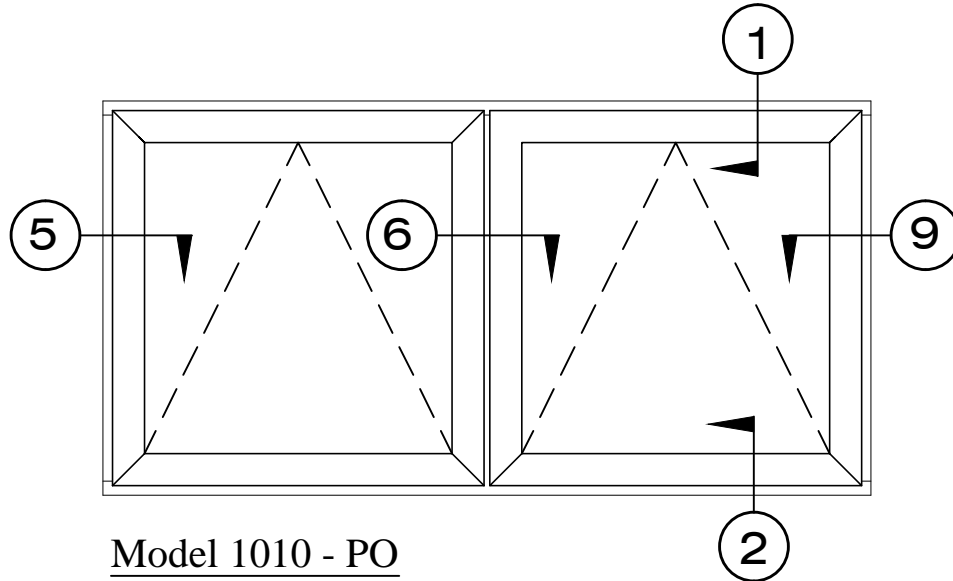


SEAL CRAFT

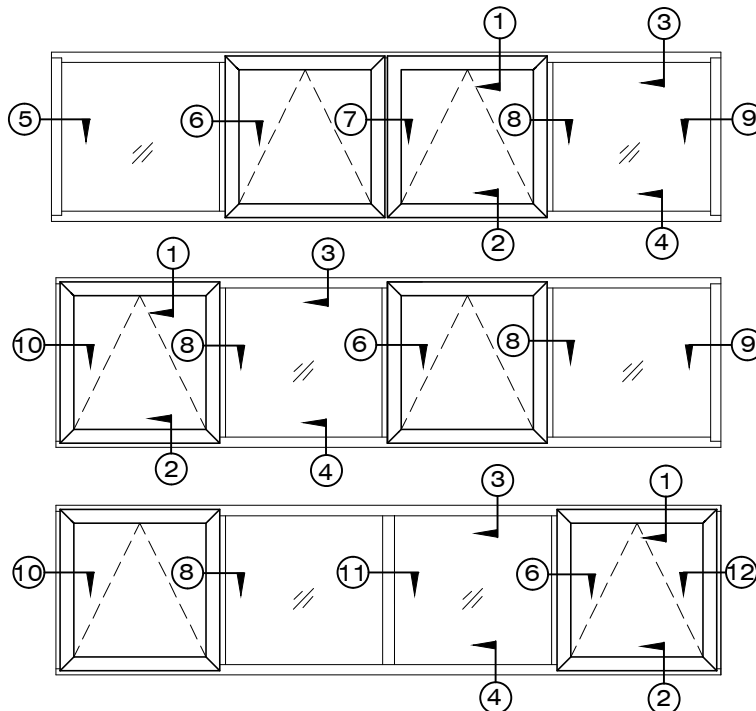
Architectural Window Systems

Model 1010-FX/PO

Exterior Elevation
Fixed / Project-Out



Model 1010 - PO



Model 1010 - FX / PO

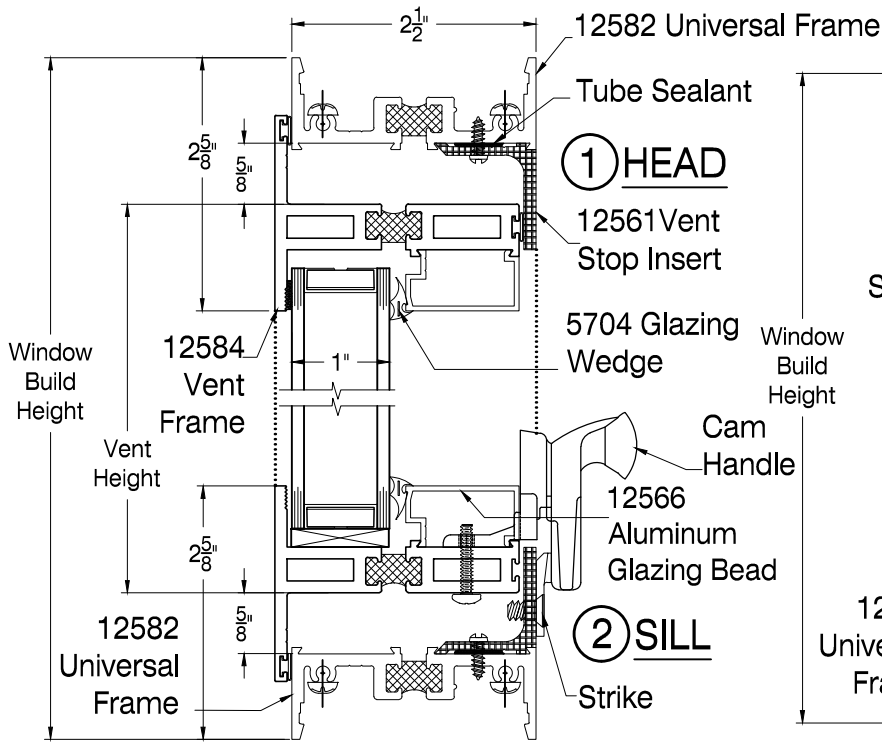
Up to 4 Units wide,
Any combination next to Fixed,
Default is all equally divided,
Unit Limit 250 Lbs.

SEAL CRAFT

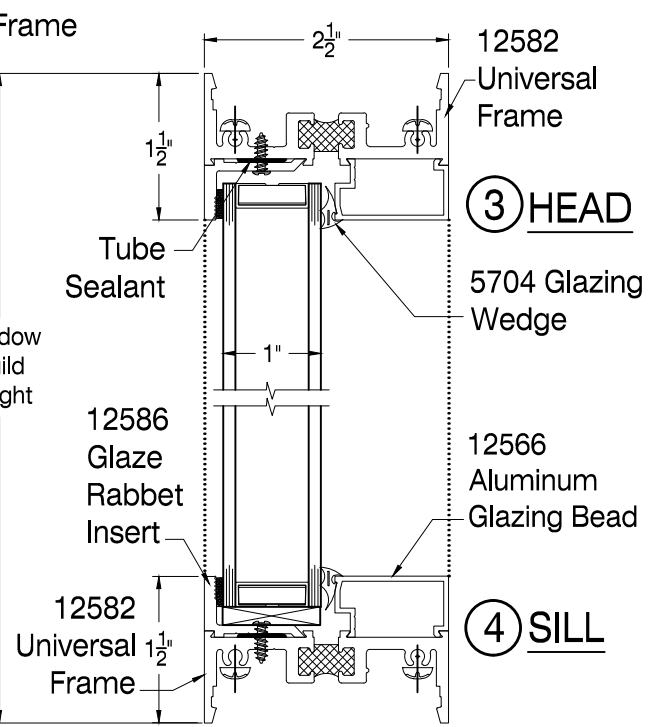
Architectural Window Systems

Model 1010 - FX/PO

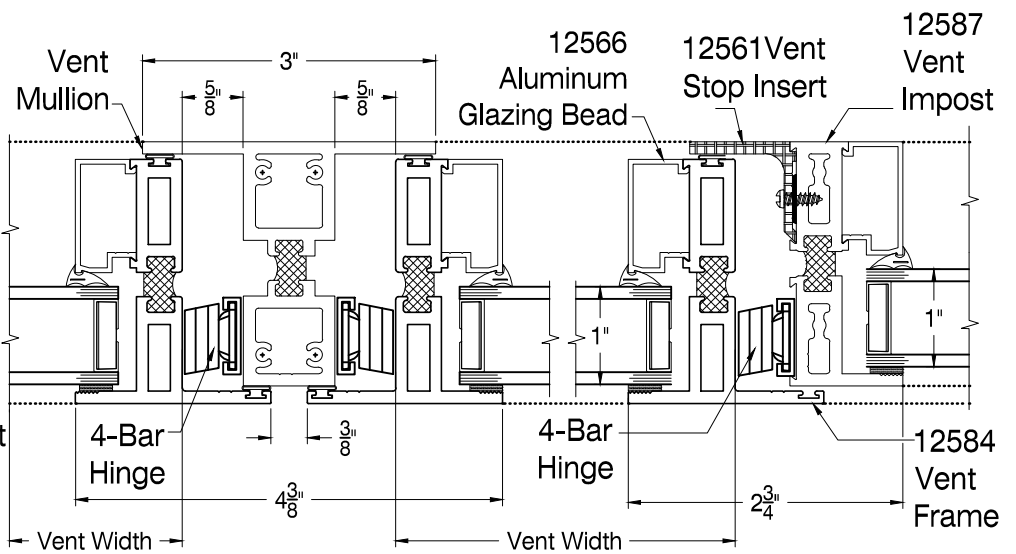
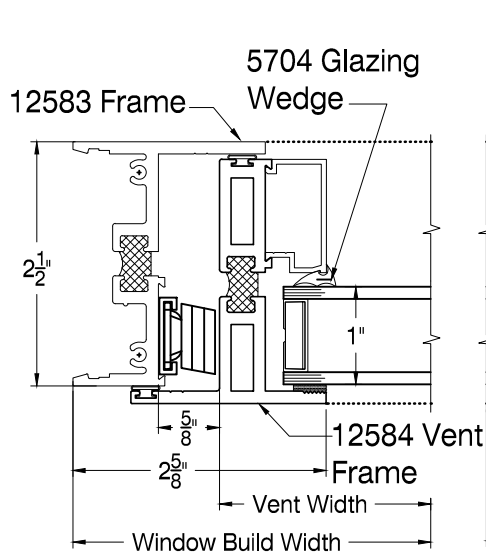
Section Details



VERTICAL SECTION



VERTICAL SECTION

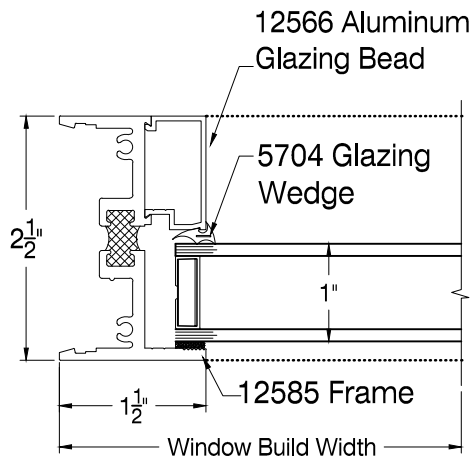


SEAL CRAFT

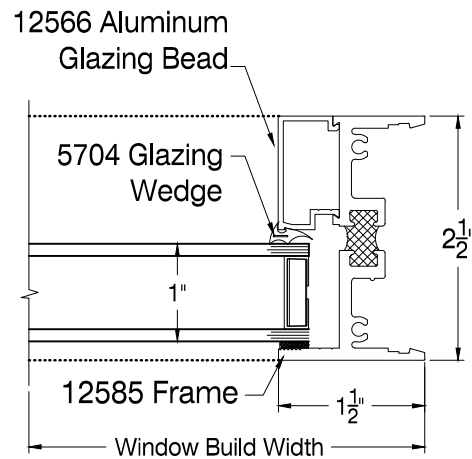
Architectural Window Systems

Model 1010 - FX/PO

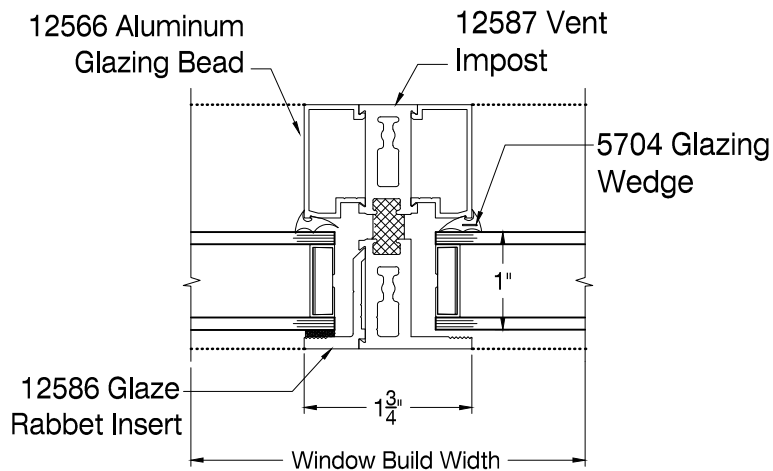
Section Details



⑤ LEFT JAMB



⑨ RIGHT JAMB



⑪ IMPOST @ FIXED

SEAL CRAFT

Architectural Window Systems

TYPICAL TRIM INSTALLATION

