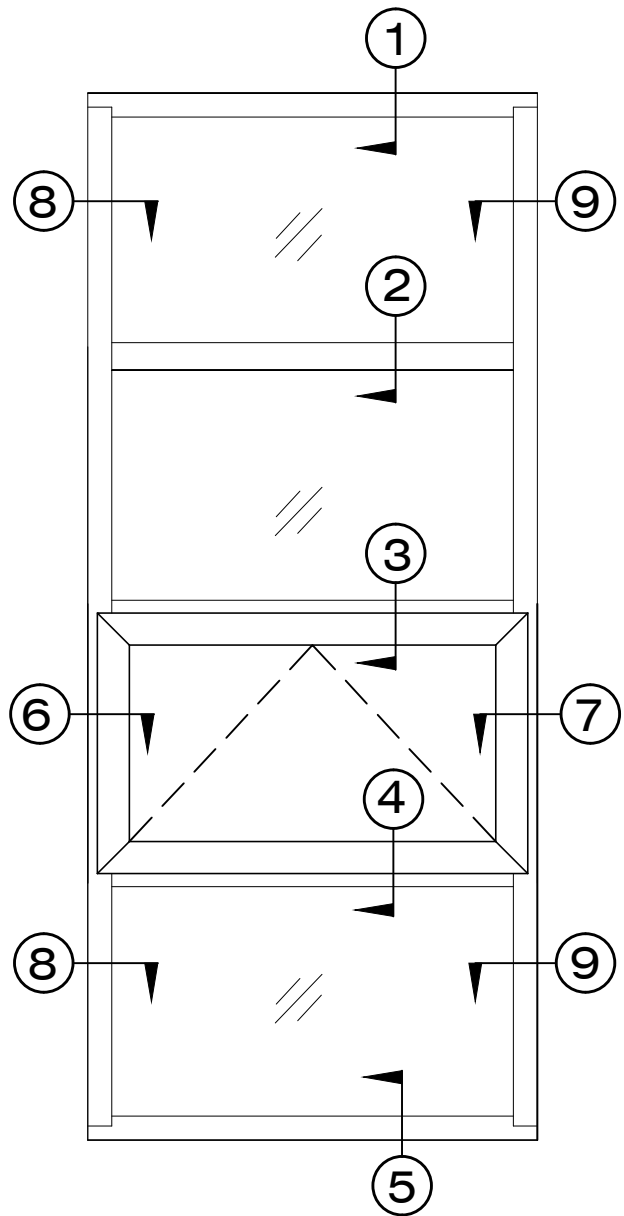
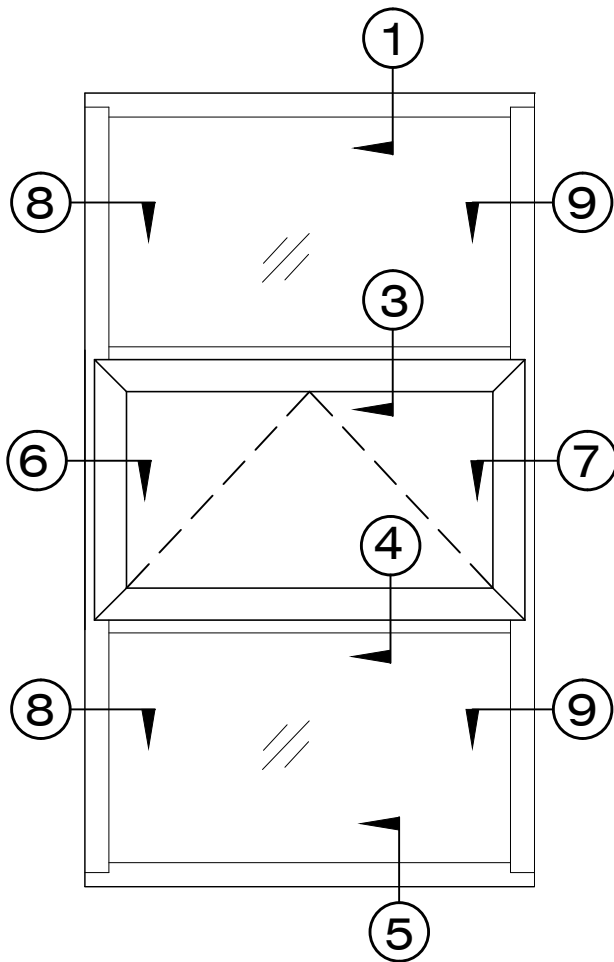


SEAL CRAFT

Architectural Window Systems

Model 1006-FX/PO

Exterior Elevation



Model 1006 FX / PO
Unlimited equal Fixed lites above vent,
but only one fixed below.
Default is all equally divided.
Unit Limit 250 Lbs.

SEAL CRAFT

Architectural Window Systems

Model 1006 - FX/PO

Section Details

