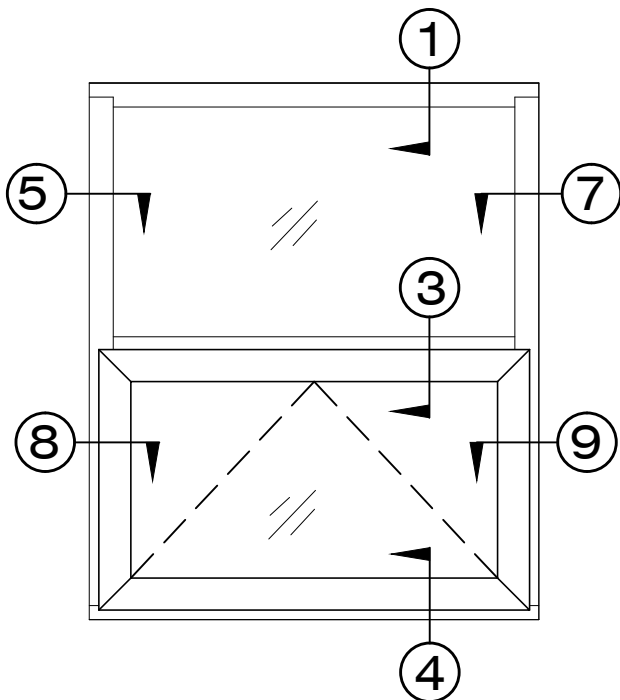
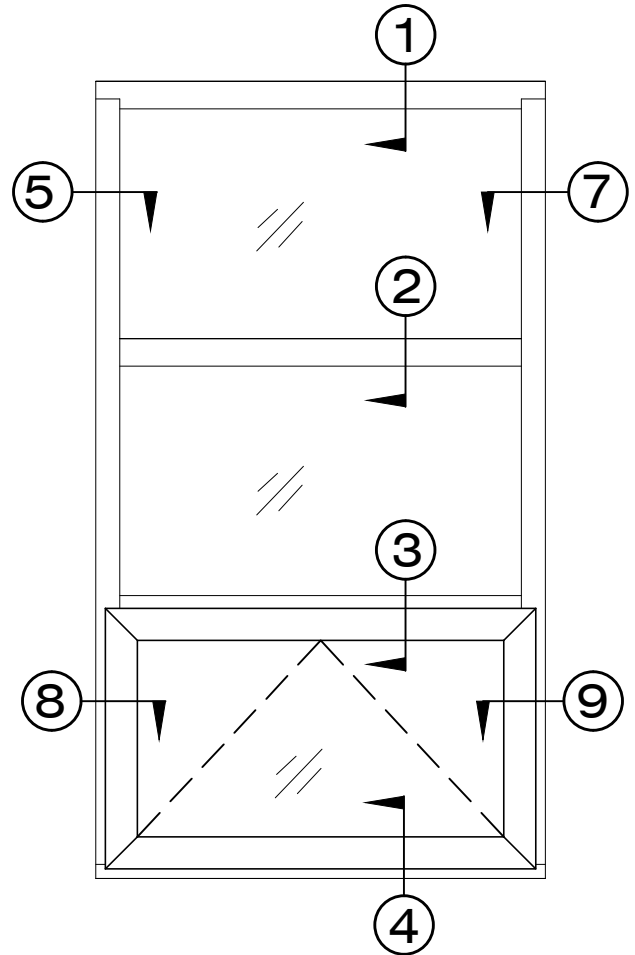
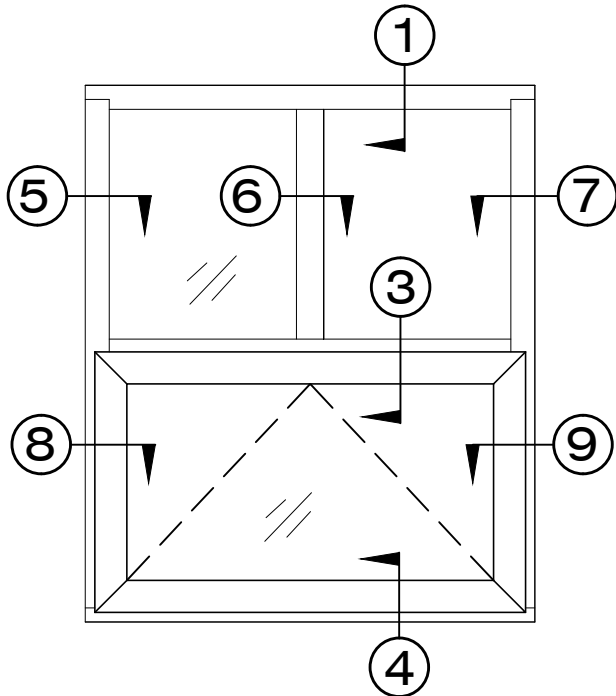


# SEAL CRAFT

## Architectural Window Systems

Model 1002-FX/PO

Exterior Elevation of Fixed/  
Project Out Vent



Model 1002 - FX / PO  
1 Vent Project-Out @ Bottom,  
Unlimited Fixed above,  
Default is all equally divided,  
Vertical Impost allowed.  
Unit Limit 250 Lbs.

