

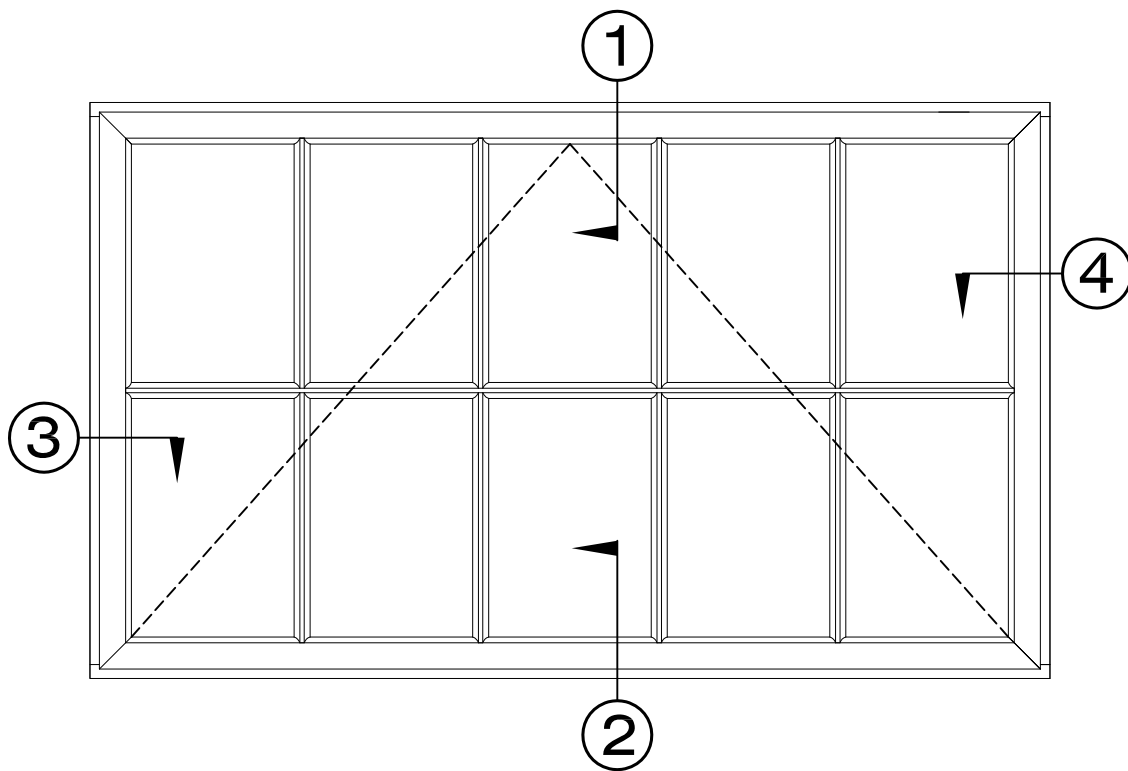
SEAL CRAFT

Architectural Window Systems

Model 1000H - PO

Exterior Elevation
w/ Project Out Vent

Historic Putty Glazed Perimeter



Awning / Project Out: AW-PG90 - AP 1524 x 914 (60 x 36)
Uniform Structural Pressure: 6480 Pa (135 psf)
Water Resistance per ASTM E547 & E331: 580 Pa (12psf)
Air Infiltration per ASTM E283-04: 300 Pa (6.24 psf)
Withstands wind velocity: \leq 189 MPH at DP
Thermally Improved Frame and Vent
AAMA's Test Size (Max Production Size): 1524 x 914 (60 x 36)
Minimum Production Size: 610 x 406 (24 x 16)
Glazing: 6mm monolithic or 25mm insulated (1/4" or 1")

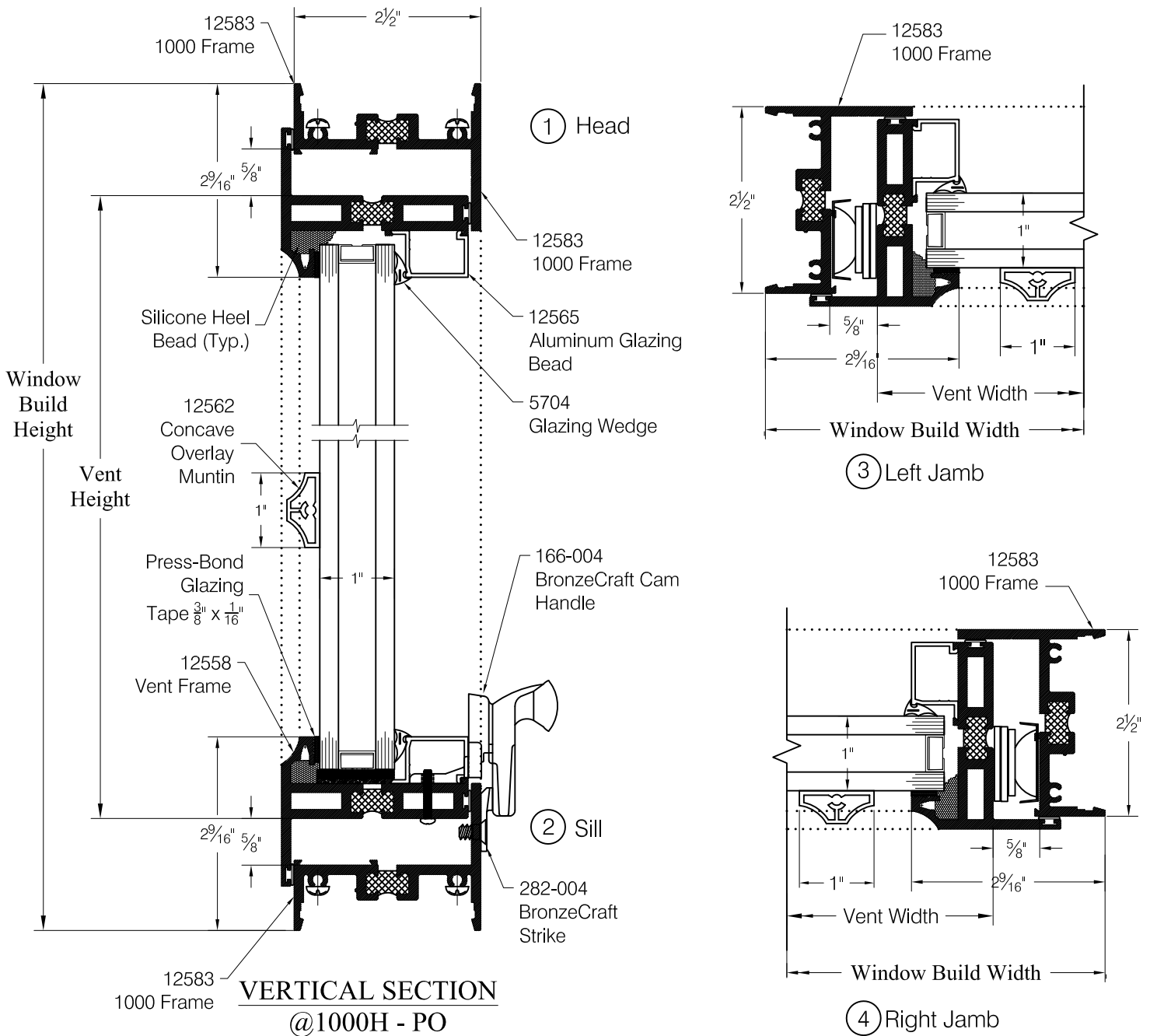
SEAL CRAFT

Architectural Window Systems

Model 1000H - PO

Sectional Views w/
Project Out Vent

Historic Putty Glazed Perimeter



HALF SCALE

1000H - PO - Page 2