

SEALCRAFT

Architectural Window Systems

STANDARD PROCEDURE

No. I-152

Window Installation Instructions
Horizontal Sliding Window with Center Nail Fin Impact
Resistant

Examined, Accepted and Approved

By: D. Ray VanNess

Title: President

1.0 INTRODUCTION:

1.1 The purpose of this standard procedure is to establish the procedures required for the successful installation of Seal Craft window systems utilizing center flange (integral or applied) into construction that incorporates wood framing and various exterior construction finishes. See Fig 1 below for glass and installation details.

SEAL CRAFT
Architectural Window Systems

Model 4100 HS-C50	Impact Nail Fin Installation
-------------------	------------------------------

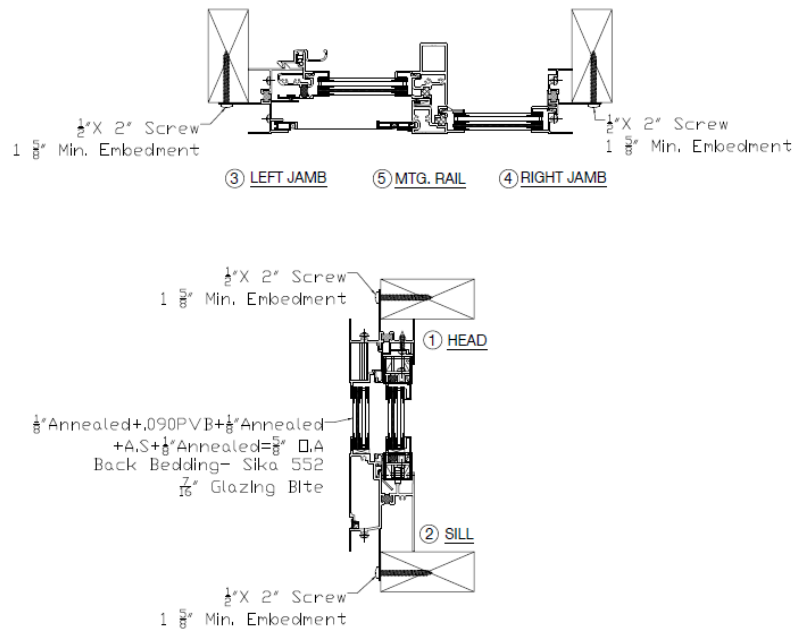


Fig. 1

- 1.2 The guidelines set forth herein are based on standard industry practices AAMA Publication IPCB-08 and AAMA 2400-02 Standard Practice for Installation of Windows with a Mounting Flange in Stud Frame Construction, both of which can be located at www.seal-craft.com and Seal Craft specific recommendations coupled with our understanding of typical job site conditions and requirements.
- 1.3 This procedure does not purport to address all of the safety problems that may be associated with its use. It is the responsibility of whoever uses this procedure to establish appropriate safety and health practices and determine the applicability of regulatory limitations prior to use.

2.0 INSTALLER QUALIFICATIONS AND RESPONSIBILITY:

- 2.1 The window installation subcontractor should be an experienced mechanic in the field with at least five continuous years of successful experience installing similar window systems into projects of similar scope, magnitude and design.
- 2.2 The basic function of the window installation subcontractor is to ensure that all windows are installed per the approved manufacturers written instructions and job specific Shop Drawings as approved by Architect and/or Owner's Representative.
- 2.3 The window installation subcontractor shall be responsible to ensure that all openings are correctly prepared and ready to accept new window units. Any problems found should be reported to the General Contractor or approving authority promptly and the window installation should not be initiated until all opening deficiencies are corrected.
- 2.4 The window installation subcontractor shall then be responsible to ensure that all windows are properly installed, adjusted and ready for use by the Owner, with the exception of final glass washing, which is to be preformed by the pre-occupancy clean-up subcontractor.

3.0 RESPONSIBILITIES:

- 3.1 The window installation subcontractor is responsible to gain a full and complete understanding of pertinent information relating to his/her scope of work including but not limited to this document, approved submittals, shop drawings, working construction drawings, project specifications and job site requirements.
- 3.2 The window installation subcontractor is responsible to train his/her workforce in proper material handling, erection and safety procedures, and pursuant with and including OSHA and Prime Contractor safety requirements.
- 3.3 Window installation subcontractor shall ensure that a qualified window installation superintendent is designated and on site during all window installation activities.
- 3.4 To provide all sealants, caulk, fasteners, shims, backer rod, bond breaker and/or machinery as required by this Project and sufficient qualified workmen to perform the installation professionally, safely and on time.
- 3.5 To ensure that all materials are of the type and quality required for this Project and that they are safely stored and protected prior to and during installation.

4.0 DUTIES:

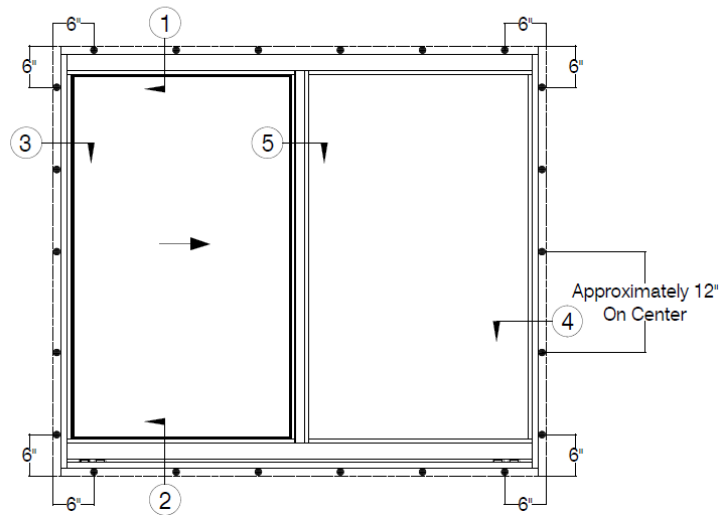
- 4.1 The window installation subcontractor shall attend all required job site progress and safety meetings.
- 4.2 Maintain open communication and foster a harmonious relationship with General Contractor and other related trades.

- 4.3 Receive all window material shipments, verifying quality and quantity and that those products are fit for installation, immediately reporting any deficiencies directly to Seal Craft as well clearly listing any such problems the Bill of Laden.
 - 4.4 General Contractor is responsible to ensure that rough openings in new construction are dimensionally accurate, plumb, square, true and not obstructed, allowing window installer free access to each opening.
- 5.0 WINDOW INSTALLATION PROCEDURE:
- 5.1 Ensure that all windows are installed in accordance with ASTM E 2112 and with the AAMA 2400-02. The following step-by-step instructional procedure is provided for the convenience of the installing subcontractor.
 - 5.2 Inspect all openings scheduled for window installation for accuracy of dimension and squareness. All center nail flange window systems to be anchored into openings plumb, square and without rack or warp - plan for shims as required. A minimum shim space of 3/8" at each jamb and 3/8" shim space at the header. Coordinate dimensions with jobsite conditions and/or framing contractor.
 - 5.3 Set windows into the openings (from the exterior) and shim as required to ensure that the new window is centered, plumb and square in the opening (4 sides). The sill must be continuously supported in a strait and level position to prevent sagging, deflection and sill rotation.
 - 5.4 Drill pilot holes into the center nail flange and; with the window centered, plumb and square, install fasteners.
 - 5.4.1 Use #12 x 2" Hex Head wood screws (minimum 1 5/8" embedment depth).
 - 5.4.2 Fasteners should be Minimum 6" from each corner and a Minimum 12" on center at the full perimeter of the window. See Fig. 2 below.
 - 5.4.3 Fasteners should be placed equal to or greater than 1/2" away from edge of rough opening. See Fig. 2 below.

SEAL CRAFT

Architectural Window Systems

Model 4100 HS/IMPACT	Exterior Elevation with Integral Nail Fin
----------------------	--



Horizontal Sliding Window
Structural Test Pressure up to 70 psf
Water Infiltration Tested to 7.5 lbf/ft.²
Air Infiltration Tested to be less than 0.01 cfm/ft.²
Withstands wind velocity up to 125 mph at design pressure
Thermally Improved Frame & Sash

Fig. 2

5.5 Check sash operation and make any adjustments as may be required per 6.0.

6.0 ADJUSTMENTS:

- 6.1 Ensure that all sash travel (open) to their full width without undue pressure, scrape or noise. Check sill track for any debris, dents or obstructions that impede proper travel, correct as necessary. In the event that any parts have failed, notify Seal Craft immediately for replacement part, offering the unit size and Mark number.
- 6.2 Confirm that window jambs are not spread or rolled creating a binding of the sash. Measure horizontally between jambs at a point just above the sill and compare similar dimension at the midpoint of window height. Even a slight bow of the jambs or difference between head & sill can cause poor sash operating characteristics.
- 6.3 Ensure that sash lock(s) work as intended with appropriate amount of operating force. Confirm that sash is closing fully by checking vertical meeting rail interlocks and upstanding sill leg for construction debris, dents and correct as necessary.
- 6.4 Inspect all exposed finished surfaces for scratches, abrasions and dents and correct. Scratches and abrasions should be wet sanded with 400 grit emery cloth, wiped clean and painted with manufacturer provided touch up paint.

- 6.5 Remove all labels or stickers from glass surface, DO NOT remove any gold AAMA labels that may have been required.
- 6.6. Verify that all weep holes are unobstructed by debris.

7.0 MANUFACTURERS DISCLAIMER:

- 7.1 Seal Craft is a manufacturer of quality commercial window systems and as such is compensated for the delivery of the same, per approved shop drawings, unto the job site. Seal Craft is not compensated for, and therefore assumes no responsibility for, building design, interface of its products with other building elements or any area of accountability other than the manufacture and delivery of quality window systems as required under each contract.
- 7.2 The qualifications and procedures as set forth herein are recommendations of Seal Craft as the manufacturer and are intended as a minimum guideline for the successful installation of its products and must be adhered to in order for the Seal Craft warranty to be in effect.
- 7.3 Upon review of the contract documents, shop drawings and manufacturers installation instructions, final architectural determination should be made as to any further requirements for flashing, sealant or any other detail that may need to be added or addressed to ensure proper interface with the new fenestration and the desired performance of the same.
- 7.4 Flashing and/or an appropriate method of sealing shall be designed as part of an overall weather resistant barrier system. It is not the responsibility of Seal Craft to design or recommend a weather resistant barrier system appropriate for each job.
- 7.5 The qualifications and procedures as set forth herein must be reviewed and approved prior to commencement of installation activities by a duly authorized and accountable owner's representative or agent.
- 7.6 Seal Craft assumes no responsibility for any liability on account of the presence or growth of black mold or any other bacteriological growth in any building or structure in which its window systems are installed.
- 7.7 For building construction, which incorporates EIFS; the EIFS Industry Manufacturers Association (EIMA) guidelines must be adhered to in order for Seal Craft's product warranty to be valid.
- 7.8 By stamping and/or signing or by any other means affixing a 'mark' to the submittal booklet that contains these instructions, both architect and contractor demonstrate complete agreement and accept full responsibility for these installation procedures. Further, both architect and contractor agree that the manner in which the windows are installed is beyond the control of the manufacturer and as such, Seal Craft has no

responsibility for any liabilities that may arise from the improper installation of its products.

- 7.9 Should field testing be a Project requirement, installing window contractor shall cooperate fully, preparing window unit(s) as requested by the Architect and/or Independent Laboratory personnel, but in no case participate in an unofficial “garden hose tests”. Any field testing shall be pursuant with the current AAMA 502 Standard and Seal Craft shall be afforded the opportunity to attend any and all such testing and given a minimum of 15 work days notice in advance of any field testing.