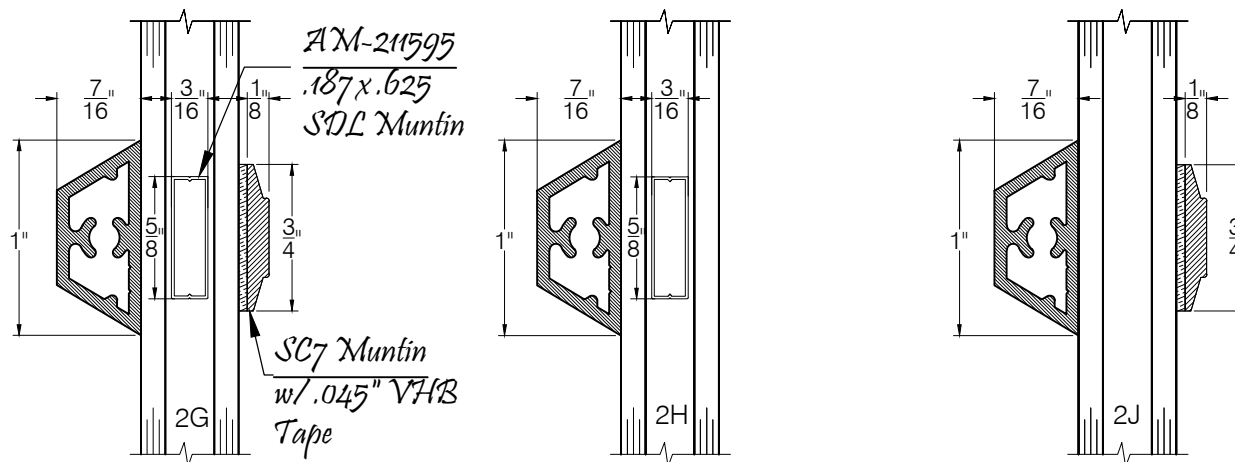
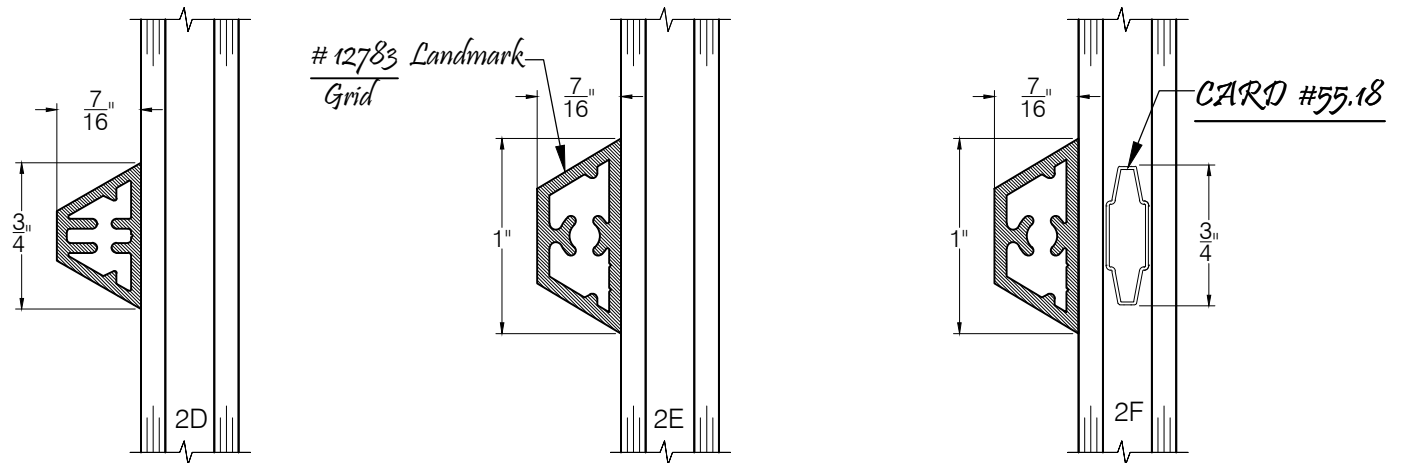
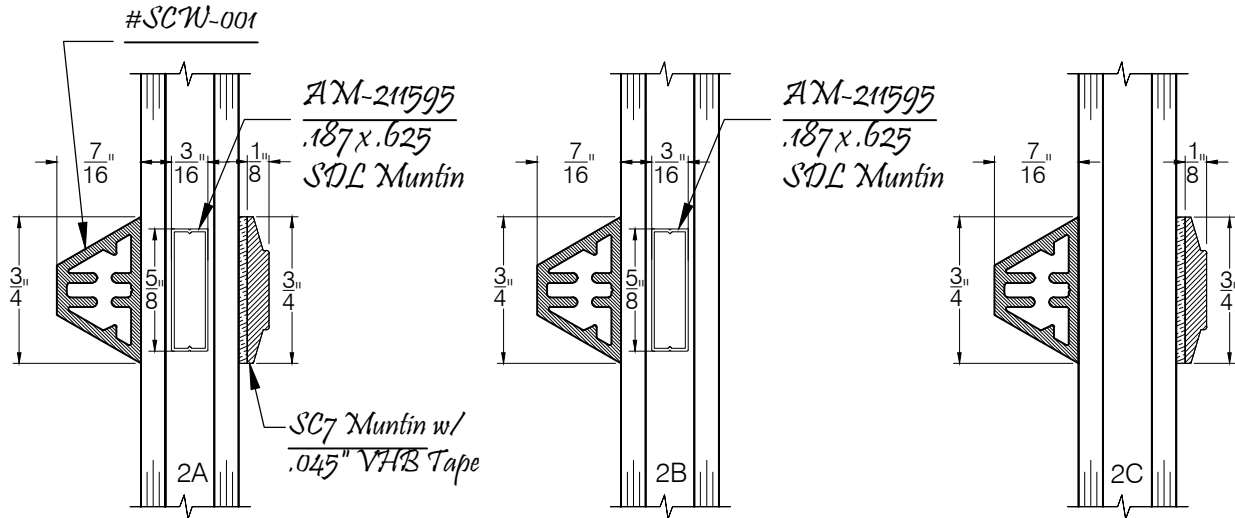


SEAL CRAFT

Architectural Window Systems

Model 2000
1 / 2" Insulated Glass

* SDL Muntin Width Varies with IG thickness



SEAL CRAFT

Architectural Window Systems

Model 2000

1 / 2" Insulated Glass

* SDL Muntin Width Varies with IG thickness

