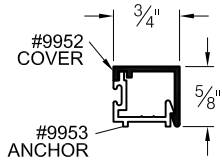


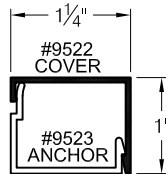
SEAL CRAFT

Architectural Window Systems

SNAP TRIM OPTIONS

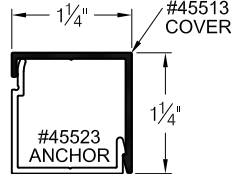


3/4" x 5/8"



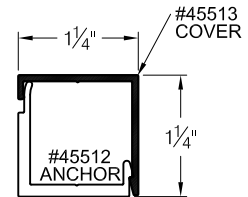
1" x 1 1/4"

Ⓐ



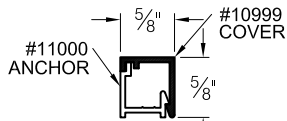
1 1/4" x 1 1/4"

Ⓕ

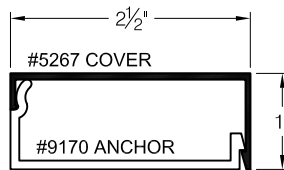


1 1/4" x 1 1/4"

Ⓝ

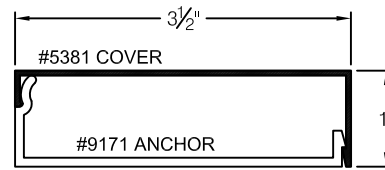


5/8" x 5/8"



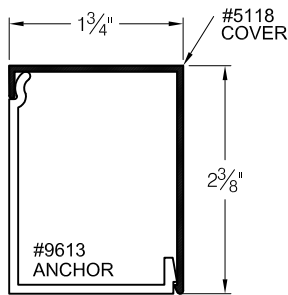
1" x 2 1/2"

Ⓒ



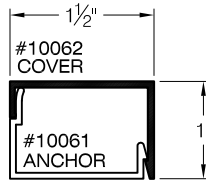
1" x 3 1/2"

Ⓓ



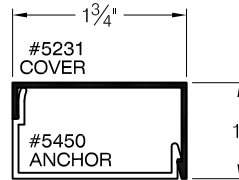
2 3/8" x 1 3/4"

Ⓔ



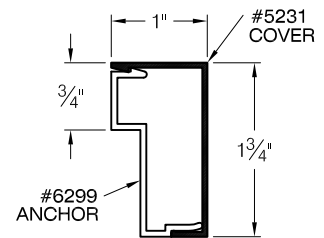
1 1/2" x 1"

Ⓛ

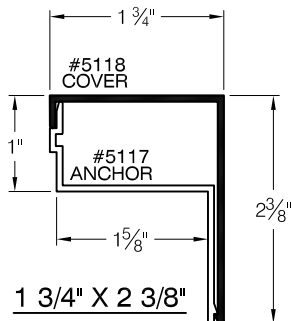


1" x 1 3/4"

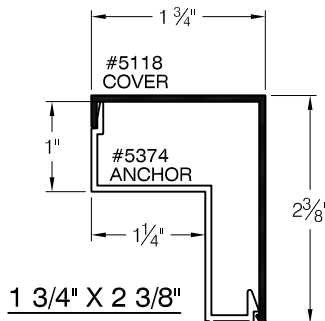
Ⓑ



1" x 1 3/4"

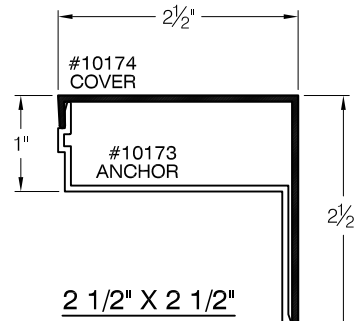


1 3/4" x 2 3/8"



1 3/4" x 2 3/8"

1/2"

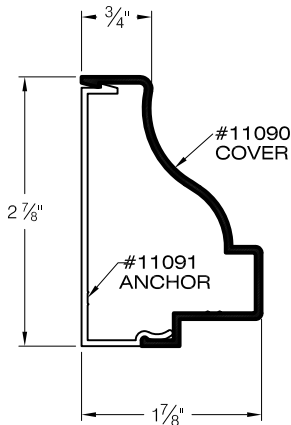
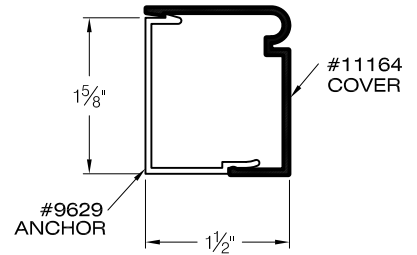
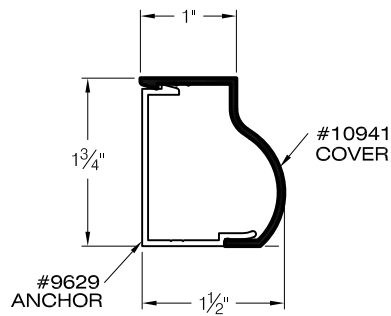
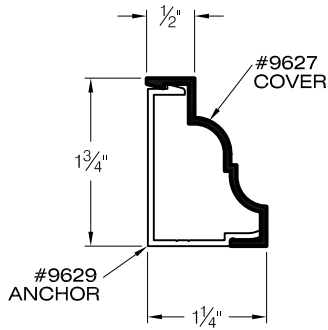


2 1/2" x 2 1/2"

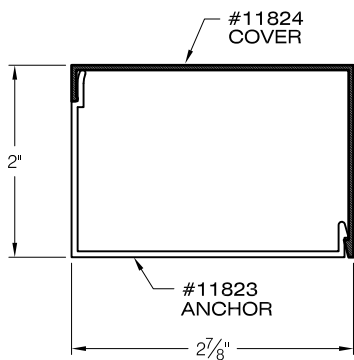
SEAL CRAFT

Architectural Window Systems

SNAP TRIM OPTIONS



SPECIFY 3" CLIP OR CONTINUOUS ANCHOR PROFILE



2" X 2 7/8" ®

