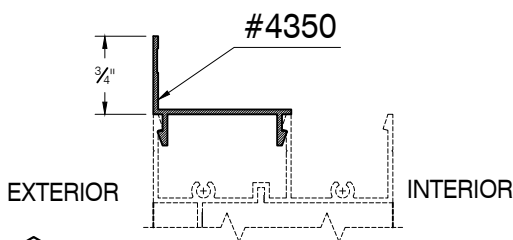


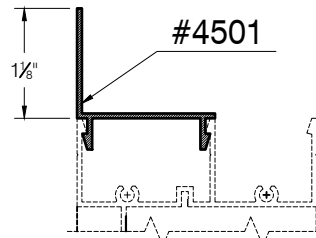
SEAL CRAFT

Architectural Window Systems

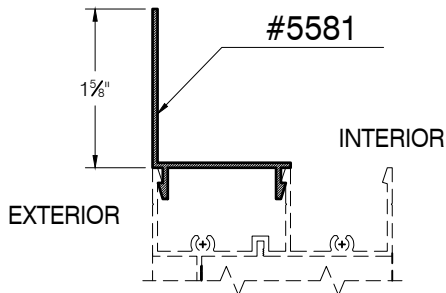
SNAP APPLIED FLANGES



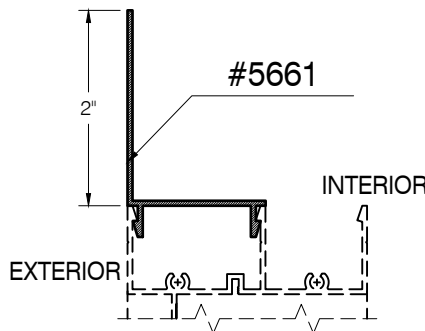
A 3/4" FRONT FLANGE



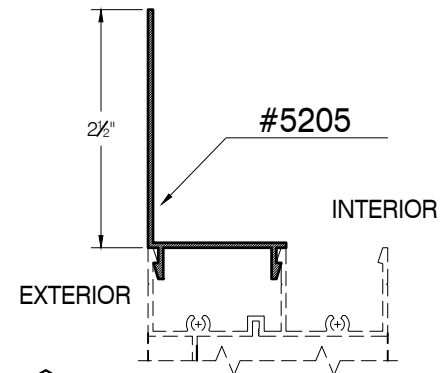
B 1 1/8" FRONT FLANGE



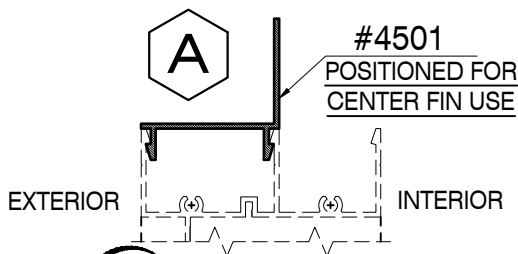
C 1 5/8" FRONT FLANGE



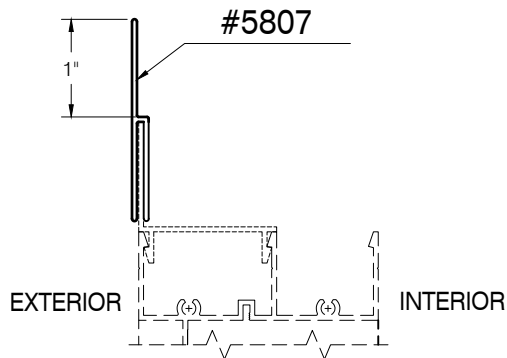
D 2" FRONT FLANGE



E 2 1/2" FRONT FLANGE



NOTE:
SNAP APPLIED FRONT FLANGES MAY ALSO
BE POSITIONED FOR "CENTER" FIN USE

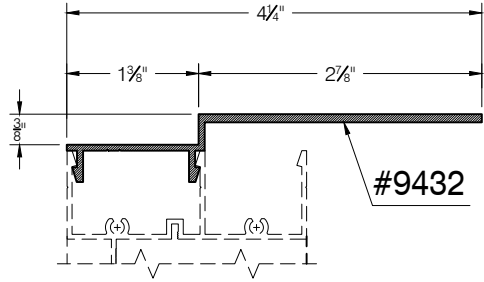
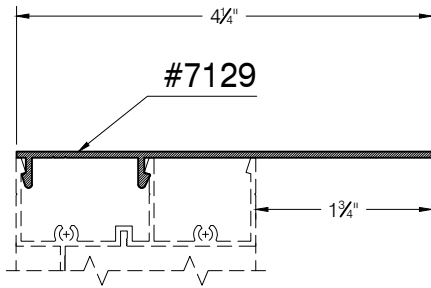


O 1" FLANGE EXTENDER

SEAL CRAFT

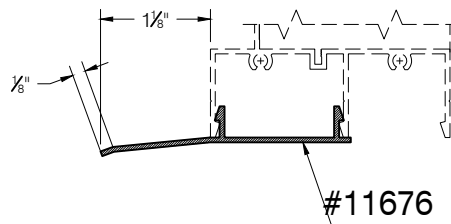
Architectural Window Systems

APPLIED FLANGES & DRIP EDGE



M STRAP ANCHOR

N OFFSET STRAP ANCHOR

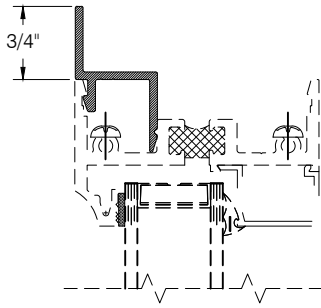


H APPLIED 1 1/8"
DRIP EDGE

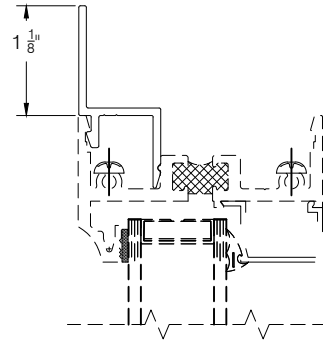
SEAL CRAFT

Architectural Window Systems

SNAP APPLIED FLANGES 1000 SERIES



Q 3/4" FRONT FLANGE



R 1 1/8" FRONT FLANGE