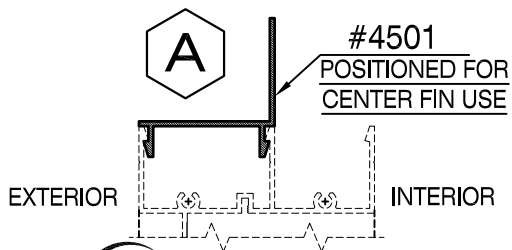
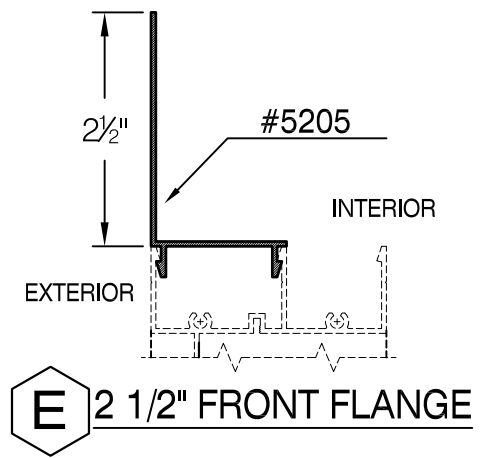
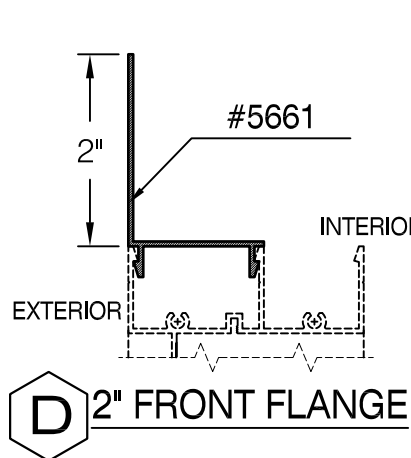
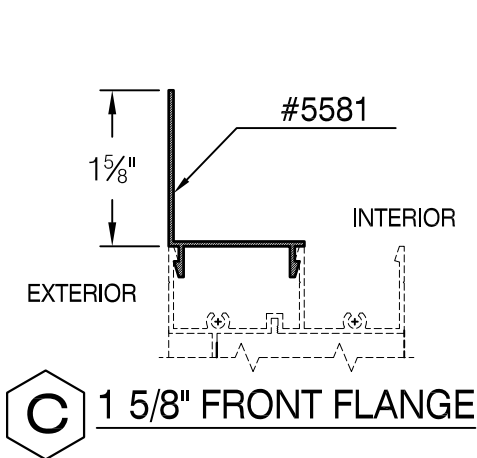
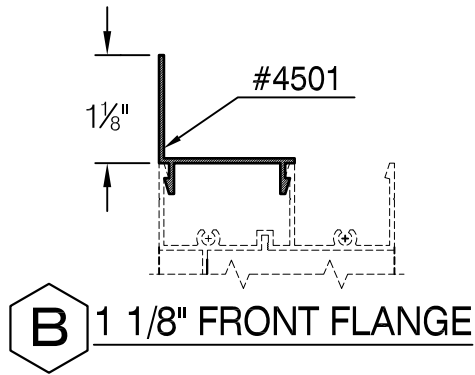
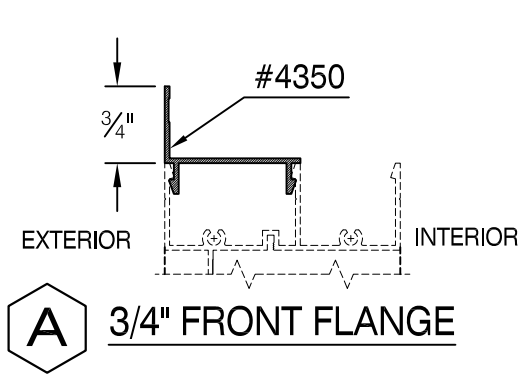


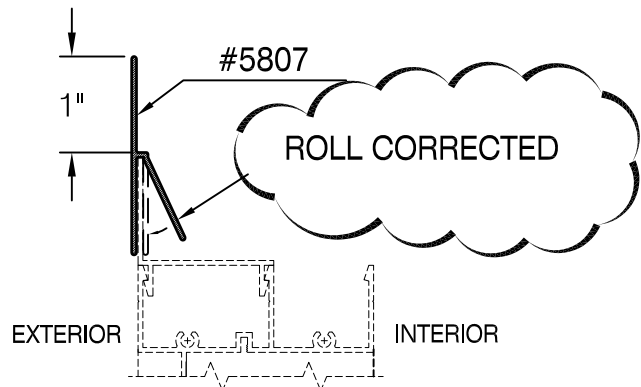
SEAL CRAFT

Architectural Window Systems

SNAP APPLIED FLANGES



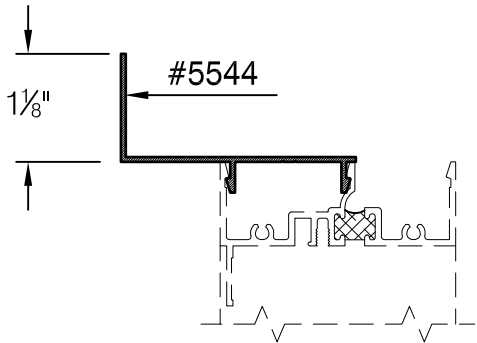
NOTE:
SNAP APPLIED FRONT FLANGES MAY ALSO
BE POSITIONED FOR "CENTER" FIN USE



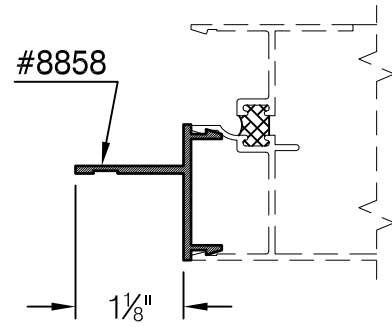
SEAL CRAFT

Architectural Window Systems

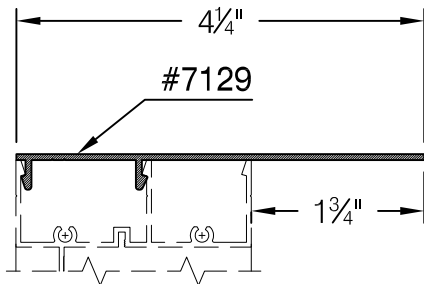
APPLIED FLANGES & MISC. ACCESSORIES



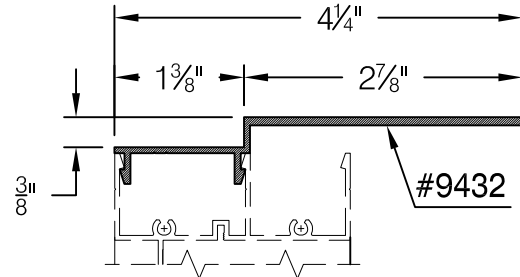
1 1/8" OFFSET FLANGE



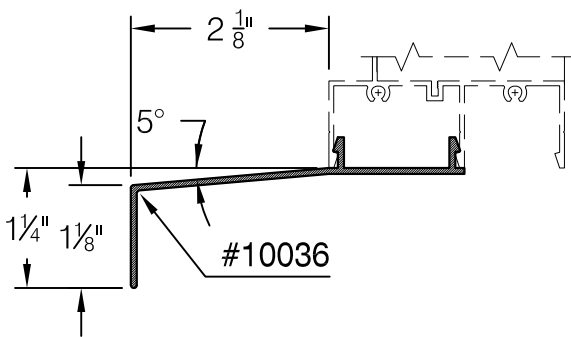
OFFSET CENTER FIN



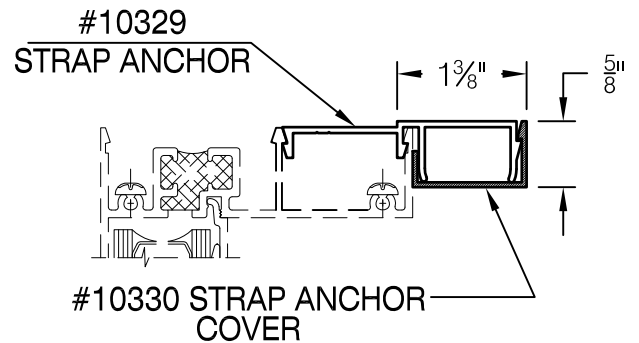
STRAP ANCHOR



OFFSET STRAP ANCHOR



APPLIED 5° SLOPED FLANGE

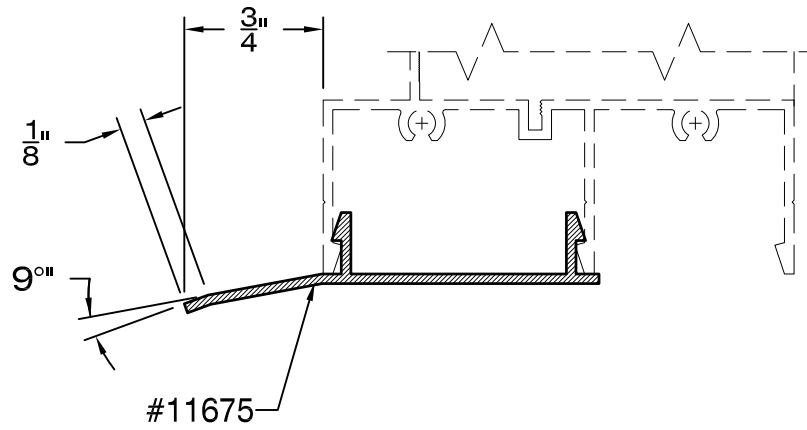


OFFSET STRAP ANCHOR WITH COVER

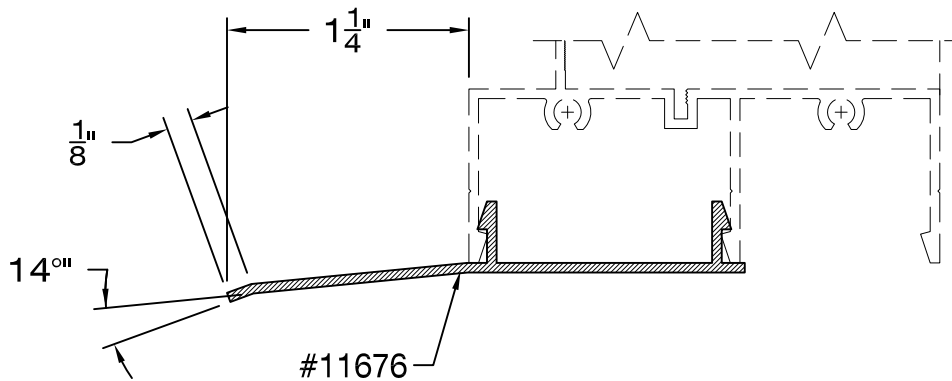
SEAL CRAFT

Architectural Window Systems

APPLIED DRIP EDGES



G APPLIED $\frac{3}{4}$ "
DRIP EDGE



H APPLIED $1\frac{1}{4}$ "
DRIP EDGE